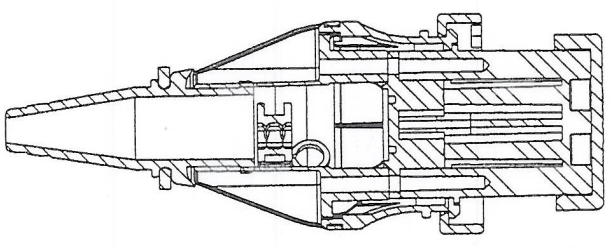
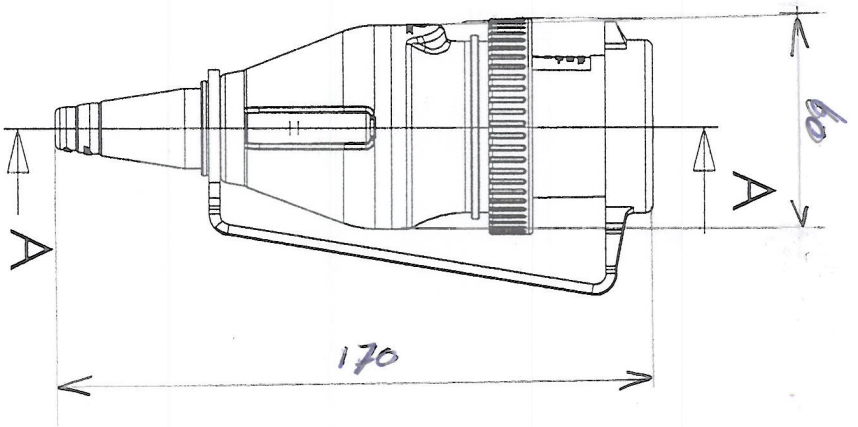
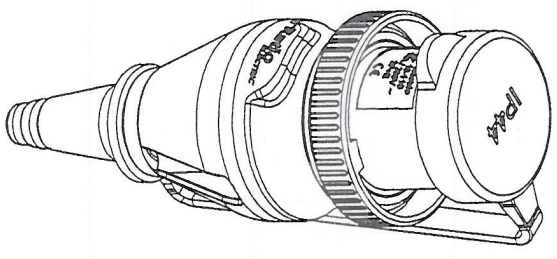
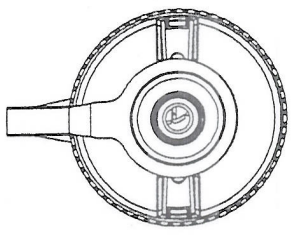
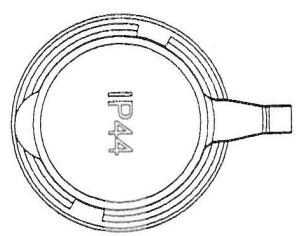


THE INFORMATION CONTAINED IN THIS DRAWING IS THE SOLE PROPERTY OF NOEST production equipment. ANY REPRODUCTION IN PART OR WHOLE WITHOUT THE WRITTEN PERMISSION OF NOEST production equipment IS PROHIBITED

PRODUCTION
(3d-file leading)



SECTION A-A



| | | | |
|---|---------------|---|--|
| UNLESS OTHERWISE SPECIFIED DIMENSIONS ARE IN MM TOLERANCES ARE ACCORDING: DIN 16901 | | CAD GENERATED DRAWING DO NOT MANUALLY UPDATE American projection | |
| VOLUME: -- | APPROVALS: -- | DATE: 7/2/2007 | CLIENT: -- SIZE: A4 DWG. NO.: MP16-110 REV: |
| MATERIAL: -- | DRAWN: 3DE | CHECKED: -- | |
| FINISH: -- | NOTES: -- | | |
| CC: 103 CAD: 000000 | | | |

MP16-110(plug assembly)