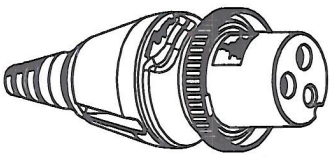
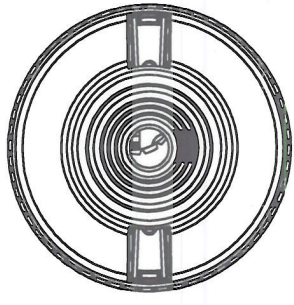
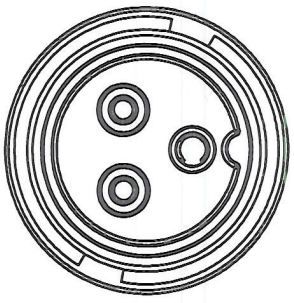
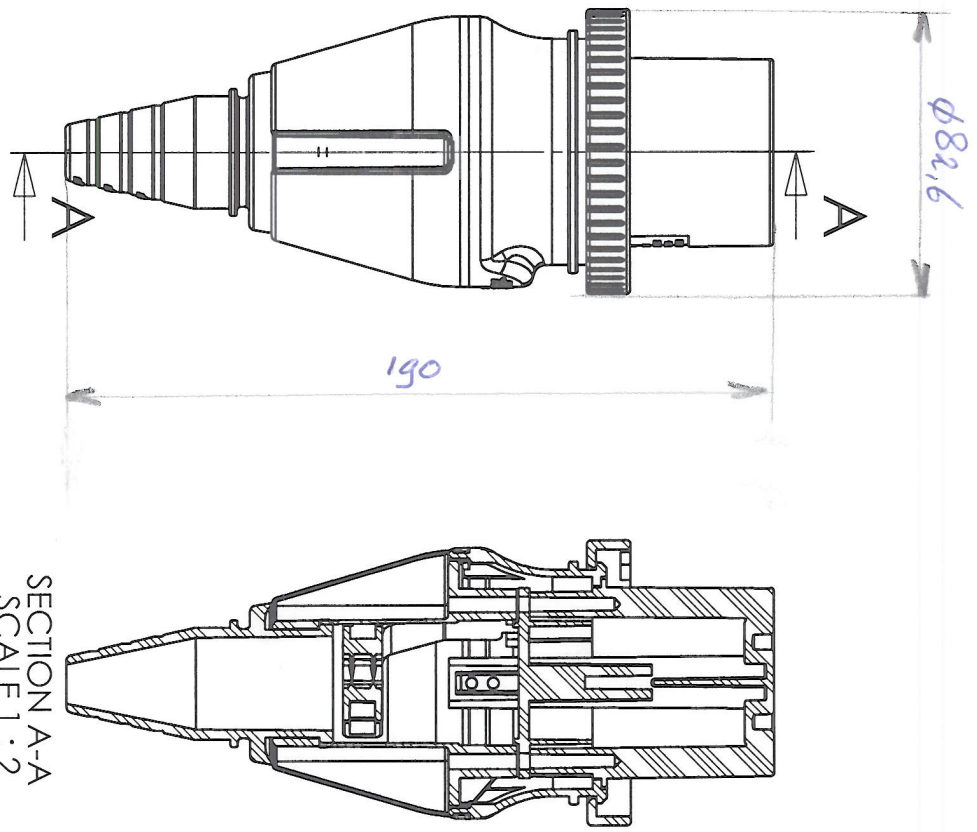


THE INFORMATION CONTAINED IN THIS DRAWING IS THE SOLE PROPERTY OF NOEST productdevelopment. ANY REPRODUCTION IN PART OR WHOLE WITHOUT THE WRITTEN PERMISSION OF NOEST productdevelopment IS PROHIBITED

PRODUCTION
(3d-file leading)



UNLESS OTHERWISE SPECIFIED
DIMENSIONS ARE IN MILLIMETERS
TOLERANCES ARE ACCORDING:
DIN 16901

VOLUME: --

MATERIAL: --

FINISH: --

DO NOT SCALE DRAWING

CAD GENERATED DRAWING,
DO NOT MANUALLY UPDATE



APPROVALS

DRAWN 3DE DATE 7/5/2007

CHECKED --

NOTES: --

MP32-110(plug assembly)

CLIENT: --

SIZE A4

SCALE 1:2

MP32-110

REV:

SHEET 2 OF 2

3d FILE: MP32-110(plug assembly)