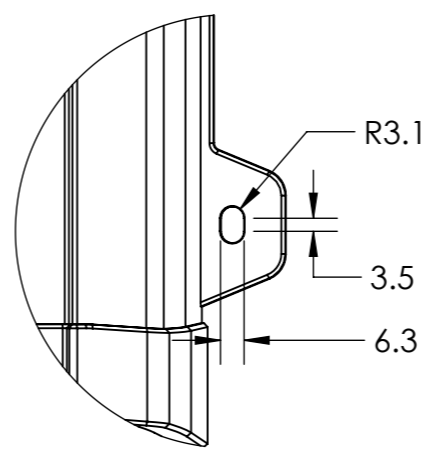
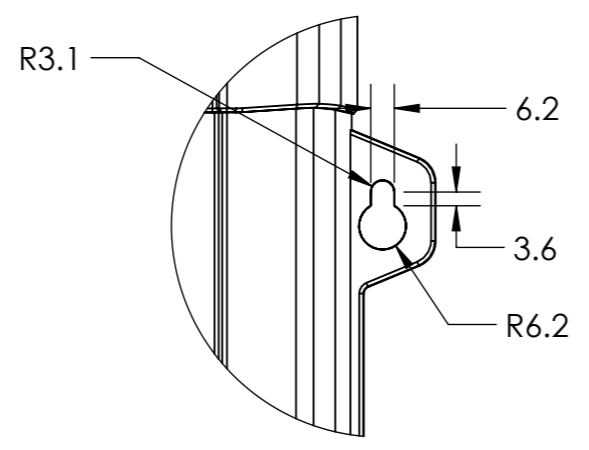
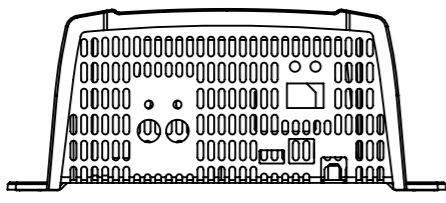
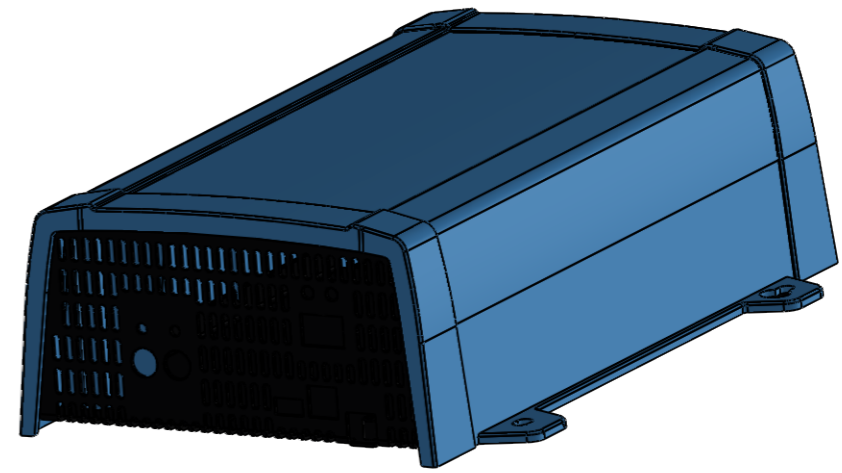
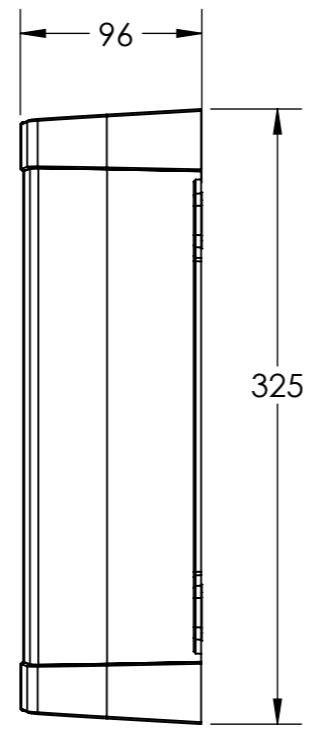
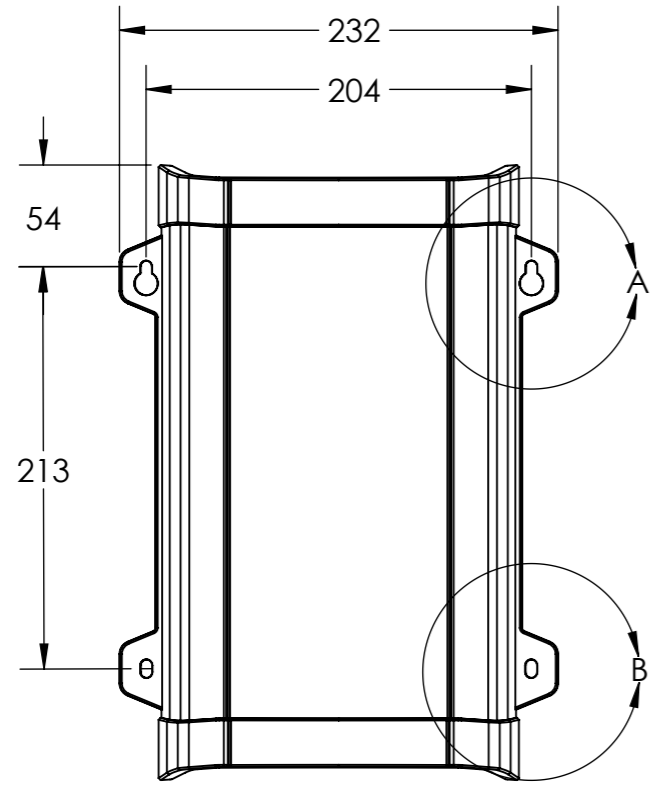


Dimension Drawing - Phoenix Inverter	
PIN121800100	Phoenix Inverter 12/800 230V VE.Direct IEC
PIN121800200	Phoenix Inverter 12/800 230V VE.Direct SCHUKO
PIN121800300	Phoenix Inverter 12/800 230V VE.Direct AU/NZ
PIN121800400	Phoenix Inverter 12/800 230V VE.Direct UK
PIN121800500	Phoenix Inverter 12/800 120V VE.Direct NEMA 5-15R



Dimensions in mm

