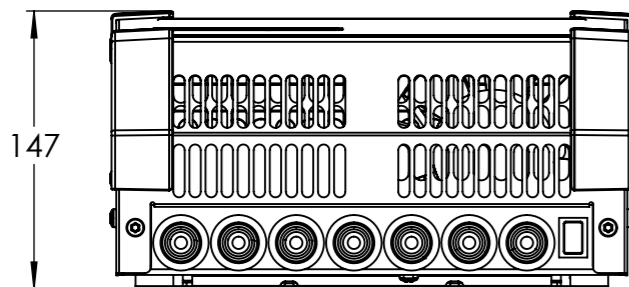
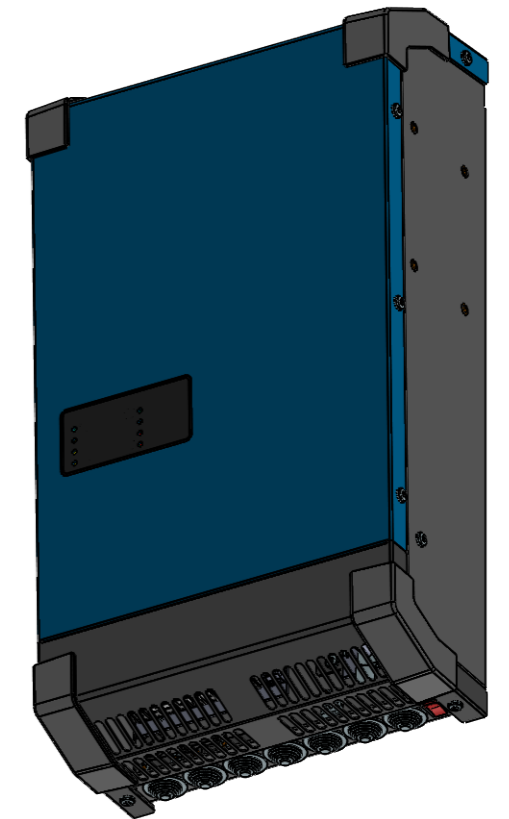
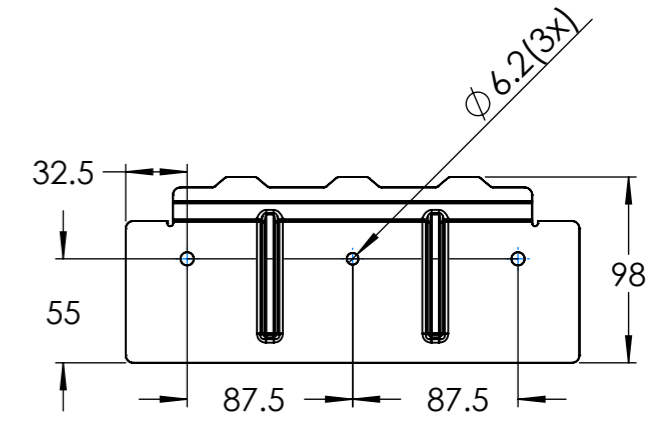
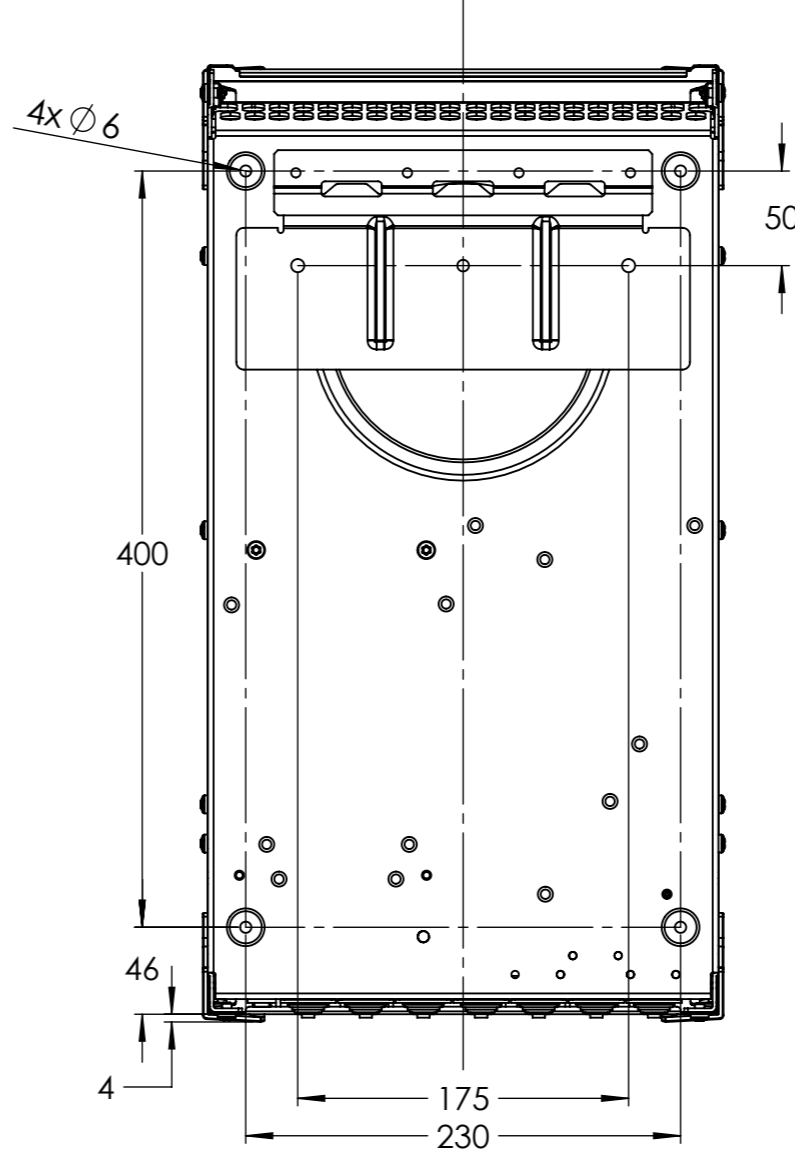
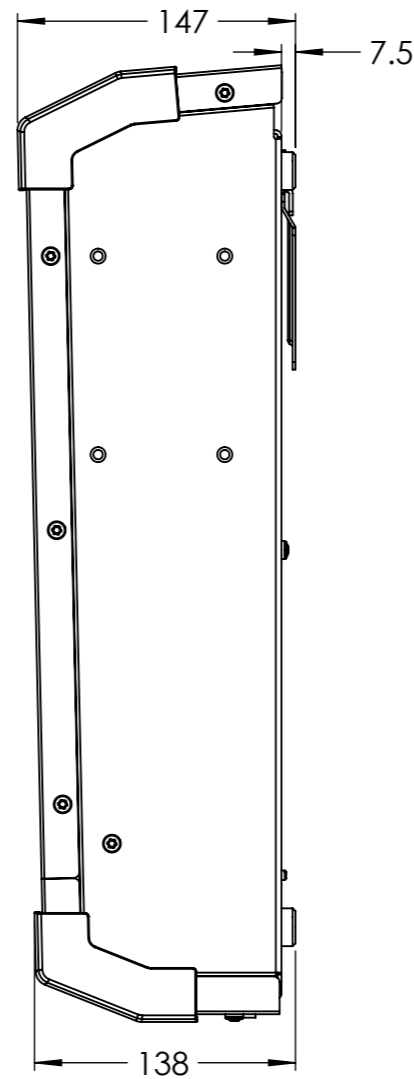
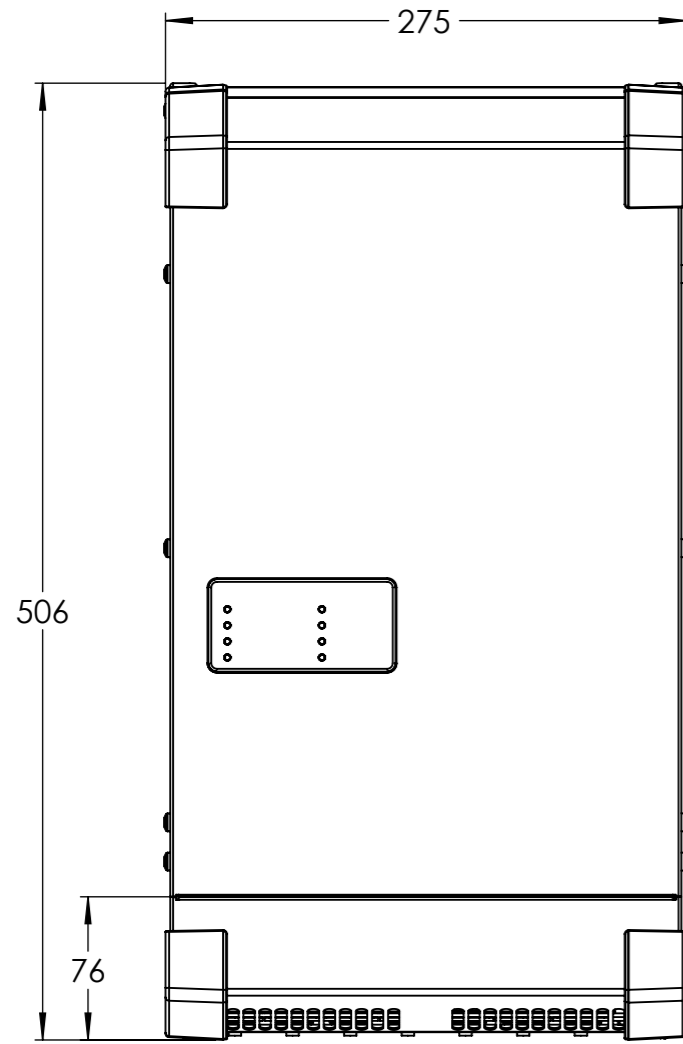


Dimension Drawing - MultiGrid II 3kVA

PMP482304000	MultiGrid II 48/3000/35-32 - 230V
PMP482305000	MultiPlus-II 48/3000/35-32 230V
PMP482305010	MultiPlus-II 48/3000/35-32 230V
PMP482306000	MultiPlus-II 48/3000/35-32 230V GX



Dimensions in mm

