

[Manual](#)

EN

[Manual](#)

ES

Appendix

Quattro (with firmware xxxx400 or higher)

12|5000|220-100|100 120V

24|5000|120-100|100 120V

48|5000| 70-100|100 120V

1. SAFETY INSTRUCTIONS

In general

Please read the documentation supplied with this product first, so that you are familiar with the safety signs and directions before using the product.

This product is designed and tested in accordance with international standards. The equipment should be used for the designated application only.

WARNING: DANGER OF ELECTRICAL SHOCK

The product is used in combination with a permanent energy source (battery). Even if the equipment is switched off, a dangerous electrical voltage can occur at the input and/or output terminals. Always switch the AC power off and disconnect the battery before performing maintenance.

The product contains no internal user-serviceable parts. Do not remove the front panel and do not put the product into operation unless all panels are fitted. All maintenance should be performed by qualified personnel.

Never use the product at sites where gas or dust explosions could occur. Refer to the specifications provided by the manufacturer of the battery to ensure that the battery is suitable for use with this product. The battery manufacturer's safety instructions should always be observed.

WARNING: do not lift heavy objects unassisted.

Installation

Read the installation instructions before commencing installation activities.

This product is a safety class I device (supplied with a ground terminal for safety purposes). **Its AC input and/or output terminals must be provided with uninterruptable grounding for safety purposes. An additional grounding point is located on the outside of the product.** If it can be assumed that the grounding protection is damaged, the product should be taken out of operation and prevented from accidentally being put into operation again; contact qualified maintenance personnel.

Ensure that the connection cables are provided with fuses and circuit breakers. Never replace a protective device by a component of a different type. Refer to the manual for the correct part.

Check before switching the device on whether the available voltage source conforms to the configuration settings of the product as described in the manual.

Ensure that the equipment is used under the correct operating conditions. Never operate it in a wet or dusty environment. Ensure that there is always sufficient free space around the product for ventilation, and that ventilation openings are not blocked.

Install the product in a heatproof environment. Ensure therefore that there are no chemicals, plastic parts, curtains or other textiles, etc. in the immediate vicinity of the equipment.

Transport and storage

On storage or transport of the product, ensure that the mains supply and battery leads are disconnected.

No liability can be accepted for damage in transit if the equipment is not transported in its original packaging.

Store the product in a dry environment; the storage temperature should range from -20°C to 60°C .

Refer to the battery manufacturer's manual for information on transport, storage, charging, recharging and disposal of the battery.

2. DESCRIPTION

2.1 In general

The basis of the Quattro is an extremely powerful sine inverter, battery charger and automatic switch in a compact casing. The Quattro features the following additional, often unique characteristics:

Two AC inputs; integrated switch-over system between shore voltage and generating set

The Quattro features two AC inputs (AC-in-1 and AC-in-2) for connecting two independent voltage sources. For example, two generator sets, or a mains supply and a generator set. The Quattro automatically selects the input where voltage is present. If voltage is present on both inputs, the Quattro selects the AC-in-1 input, to which normally the generating set is connected.

Two AC outputs

Besides the usual uninterruptable output (AC-out-1), an auxiliary output (AC-out-2) is available that disconnects its load in the event of battery operation. Example: an electric boiler that is allowed to operate only if the genset is running or shore power is available.

Automatic and uninterruptible switching

In the event of a supply failure or when the genset is switched off, the Quattro will switch over to inverter operation and take over the supply of the connected devices. This is done so quickly that operation of computers and other electronic devices is not disturbed (Uninterruptible Power Supply or UPS functionality). This makes the Quattro highly suitable as an emergency power system in industrial and telecommunication applications.

Virtually unlimited power thanks to parallel operation

Up to 6 Quattro's can operate in parallel. Ten units 48/5000/70, for example, will provide 40kW / 50kVA output power and 700 Amps charging capacity.

Three phase capability

Three units can be configured for three-phase output. But that's not all: up to 6 sets of three units can be parallel connected to provide 120kW / 150kVA inverter power and more than 2000A charging capacity.

PowerControl – maximum use of limited shore current

The Quattro can supply a huge charging current. This implies heavy loading of the shore connection or generating set. For both AC inputs, therefore, a maximum current can be set. The Quattro then takes other power users into account, and only uses 'surplus' current for charging purposes.

- Input AC-in-1, to which usually a generating set is connected, can be set to a fixed maximum with DIP switches, with VE.Net or with a PC, so that the generating set is never overloaded.
- Input AC-in-2 can also be set to a fixed maximum. In mobile applications (ships, vehicles), however, a variable setting by means of a Multi Control Panel will usually be selected. In this way the maximum current can be adapted to the available shore current in an extremely simple manner.

PowerAssist – Extended use of your generating set and shore current: the Quattro “co-supply” feature

The Quattro operates in parallel with the generating set or the shore connection. A current shortfall is automatically compensated: the Quattro draws extra power from the battery and helps along. A current surplus is used to recharge the battery.

Three programmable relays

The Quattro is equipped with 3 programmable relays. The relays can be programmed for all kinds of other applications however, for example as a starter relay for a generating set.

Two analog ports

The Quattro is equipped with 2 analog ports.

These ports can be used for several purposes. One application is communication with the BMS of a lithium-ion battery.

Frequency shift

When solar inverters are connected to the output of a Multi or Quattro, the excess solar energy is used to recharge the batteries. Once the absorption voltage is reached, the Multi or Quattro will shut down the solar inverter by shifting the output frequency 1Hz (from 50Hz to 51Hz for example). Once battery voltage has dropped slightly, the frequency returns to normal and the solar inverters will restart.

Built-in Battery Monitor

The ideal solution when Multi's or Quattro's are part of a hybrid system (diesel generator, inverter/chargers, storage battery, and alternative energy). The built-in battery monitor can be set to start and stop the generator:

- Start at a preset % discharge level, and/or
- start (with a preset delay) at a preset battery voltage, and/or
- start (with a preset delay) at a preset load level.
- Stop at a preset battery voltage, or
- stop (with a preset delay) after the bulk charge phase has been completed, and/or
- stop (with a preset delay) at a preset load level.

Solar energy

The Quattro is extremely suitable for solar energy applications. It can be used for building autonomous systems as well as mains-coupled systems.

Emergency power or autonomous operation on mains failure

Houses or buildings provided with solar panels or a combined micro-scale heating and power plant (a power-generating central heating boiler) or other sustainable energy sources have a potential autonomous energy supply which can be used for powering essential equipment (central heating pumps, refrigerators, deep freeze units, Internet connections, etc.) during a power failure. A problem in this regard, however, is that mains-coupled solar panels and/or micro-scale heating and power plants drop out as soon as the mains supply fails. With a Quattro and batteries, this problem can be solved in a simple manner: the Quattro can replace the mains supply during a power failure. When the sustainable energy sources produce more power than necessary, the Quattro will use the surplus to charge the batteries; in the event of a shortfall, the Quattro will supply additional power from its battery energy resources.

Programmable with DIP switches, VE.Net panel or personal computer

The Quattro is supplied ready for use. Three features are available for changing certain settings if desired:

- The most important settings (including parallel operation of up to three devices and 3-phase operation) can be changed in a very simple manner, using Quattro DIP switches.
- All settings, with exception of the programmable relay, can be changed with a VE.Net panel.
- All settings can be changed with a PC and free of charge software, downloadable from our website www.victronenergy.com

2.2 Battery charger**Adaptive 4-stage charging characteristics: bulk – absorption – float – storage**

The microprocessor-driven adaptive battery management system can be adjusted for various types of batteries. The adaptive function automatically adapts the charging process to battery use.

The right amount of charge: variable absorption time

In the event of slight battery discharge, absorption is kept short to prevent overcharging and excessive gas formation. After deep discharging, the absorption time is automatically extended in order to fully charge the battery.

Preventing damage due to excessive gassing: the BatterySafe mode

If, in order to quickly charge a battery, a high charge current in combination with a high absorption voltage has been chosen, damage due to excessive gassing will be prevented by automatically limiting the rate of voltage increase once the gassing voltage has been reached.

Less maintenance and aging when the battery is not in use: the Storage mode

The Storage mode kicks in whenever the battery has not been subjected to discharge during 24 hours. In the Storage mode float voltage is reduced to 2,2V/cell (13,2V for 12V battery) to minimise gassing and corrosion of the positive plates. Once a week the voltage is raised back to the absorption level to 'equalize' the battery. This feature prevents stratification of the electrolyte and sulphation, a major cause of early battery failure.

Two DC outputs for charging two batteries

The main DC terminal can supply the full output current. The second output, intended for charging a starter battery, is limited to 4A and has a slightly lower output voltage.

Increasing service life of the battery: temperature compensation

The temperature sensor (supplied with the product) serves to reduce charging voltage when battery temperature rises. This is particularly important for maintenance-free batteries, which could otherwise dry out by overcharging.

Battery voltage sense: the correct charge voltage

Voltage loss due to cable resistance can be compensated by using the voltage sense facility to measure voltage directly on the DC bus or on the battery terminals.

More on batteries and charging

Our book 'Energy Unlimited' offers further information on batteries and battery charging, and is available free of charge on our website (see www.victronenergy.com -> Support & Downloads' -> General Technical Information). For more information on adaptive charging, please also refer to the General Technical Information our website.

2.3 Self consumption – solar energy storage systems

When the Multi/Quattro is used in a configuration in which it will feed back energy to the grid it is required to enable grid code compliance by selecting the grid code country setting with the VEConfigure tool.

This way the Multi/Quattro can comply to the local rules.

Once set, a password will be required to disable grid code compliance or change grid code related parameters.

If the local grid code is not supported by the Multi/Quattro an external certified interface device should be used to connect the Multi/Quattro to the grid.

The Multi/Quattro can also be used as a bidirectional inverter operating parallel to the grid, integrated into a customer designed system (PLC or other) that takes care of the control-loop and grid measurement, see

http://www.victronenergy.com/live/system_integration:hub4_grid_parallel

Special note for Australian customers: IEC62109.1 certification and CEC approval for off-grid use does NOT imply approval for grid-interactive installations. Additional certification to IEC 62109.2 and AS 4777.2.2015 are required before grid-interactive systems can be implemented. Please check Clean Energy Council website for current approvals.

3. OPERATION

3.1 “On/Off/Charger Only Switch”

When switched to "on", the product is fully functional. The inverter will come into operation and the LED "inverter on" will light up.

An AC voltage connected to the "AC in" terminal will be switched through to the "AC out" terminal, if within specifications. The inverter will switch off, the "mains on" LED will light up and the charger commences charging. The "bulk", "absorption" or "float" LED's will light up, depending on the charger state.

If the voltage at the "AC-in" terminal is rejected, the inverter will switch on.

When the switch is switched to "charger only", only the battery charger of the Quattro will operate (if mains voltage is present). In this mode input voltage also is switched through to the "AC out" terminal.

NOTE: When only the charger function is required, ensure that the switch is switched to "charger only". This prevents the inverter from being switched on if the mains voltage is lost, thus preventing your batteries from running flat.

3.2 Remote control

Remote control is possible with a 3-way switch or with a Multi Control panel.

The Multi Control panel has a simple rotary knob with which the maximum current of the AC input can be set: see PowerControl and PowerAssist in Section 2.

3.3 Equalisation and forced absorption

3.3.1 Equalisation

Traction batteries require regular additional charging. In the equalisation mode, the Quattro will charge with increased voltage for one hour (1V above the absorption voltage for a 12V battery, 2V for a 24V battery), and with charging current limited to 1/4 of the set value. **The “bulk” and “absorption” LED’s flash intermittently.**



Equalisation mode supplies a higher charging voltage than most DC consuming devices can cope with. These devices must be disconnected before additional charging takes place.

3.3.2 Forced absorption

Under certain circumstances, it can be desirable to charge the battery for a fixed time at absorption voltage level. In Forced Absorption mode, the Quattro will charge at the normal absorption voltage level during the set maximum absorption time. **The “absorption” LED lights.**

3.3.3 Activating equalisation or forced absorption

The Quattro can be put into both these states from the remote panel as well as with the front panel switch, provided that all switches (front, remote and panel) are set to “on” and no switches are set to “charger only”.

In order to put the Quattro in this state, the procedure below should be followed.

If the switch is not in the required position after following this procedure, it can be switched over quickly once. This will not change the charging state.

NOTE: Switching from “on” to “charger only” and back, as described below, must be done quickly. The switch must be toggled such that the intermediate position is ‘skipped’, as it were. If the switch remains in the “off” position even for a short time, the device may be turned off. In that case, the procedure must be restarted at step 1. A certain degree of familiarisation is required when using the front switch in particular. When using the remote panel, this is less critical.

Procedure:

- Check whether all switches (i.e. front switch, remote switch or remote panel switch if present) are in the “on” position.
- Activating equalisation or forced absorption is only meaningful if the normal charging cycle is completed (charger is in 'Float').
- To activate:
 - a. Switch rapidly from “on” to “charger only” and leave the switch in this position for ½ to 2 seconds.
 - b. Switch rapidly back from “charger only” to “on” and leave the switch in this position for ½ to 2 seconds.
 - c. Switch once more rapidly from “on” to “charger only” and leave the switch in this position.
- On the Quattro (and, if connected, on the MultiControl panel) the three LED's “Bulk”, “Absorption” and “Float” will now flash 5 times.
- Subsequently, the LED's “Bulk”, “Absorption” and “Float” will each light during 2 seconds.
 - a. If the switch is set to “on” while the “Bulk” LED lights, the charger will switch to equalisation.
 - b. If the switch is set to “on” while the “Absorption” LED lights, the charger will switch to forced absorption.
 - c. If the switch is set to “on” after the three LED sequence has finished, the charger will switch to “Float”.
 - d. If the switch has not been moved, the Quattro's will remain in ‘charger only’ mode and switch to “Float”.

3.4 LED indications and their meaning

- LED off
- LED flashes
- LED lights

Inverter

charger		inverter	
<input type="radio"/> mains on	on	<input checked="" type="radio"/> inverter on	
<input type="radio"/> bulk	<input checked="" type="radio"/> off	<input type="radio"/> overload	
<input type="radio"/> absorption		<input type="radio"/> low battery	
<input type="radio"/> float	charger only	<input type="radio"/> temperature	

The inverter is on, and supplies power to the load.

charger		inverter	
<input type="radio"/> mains on	on	<input checked="" type="radio"/> inverter on	
<input type="radio"/> bulk	<input checked="" type="radio"/> off	<input checked="" type="radio"/> overload	
<input type="radio"/> absorption		<input type="radio"/> low battery	
<input type="radio"/> float	charger only	<input type="radio"/> temperature	

The nominal power of the inverter is exceeded. The "overload" LED flashes.

charger		inverter	
<input type="radio"/> mains on	on	<input type="radio"/> inverter on	
<input type="radio"/> bulk	<input checked="" type="radio"/> off	<input checked="" type="radio"/> overload	
<input type="radio"/> absorption		<input type="radio"/> low battery	
<input type="radio"/> float	charger only	<input type="radio"/> temperature	

The inverter is switched off due to overload or short circuit.

charger		inverter	
<input type="radio"/> mains on	on	<input checked="" type="radio"/> inverter on	
<input type="radio"/> bulk	<input checked="" type="radio"/> off	<input type="radio"/> overload	
<input type="radio"/> absorption		<input checked="" type="radio"/> low battery	
<input type="radio"/> float	charger only	<input type="radio"/> temperature	

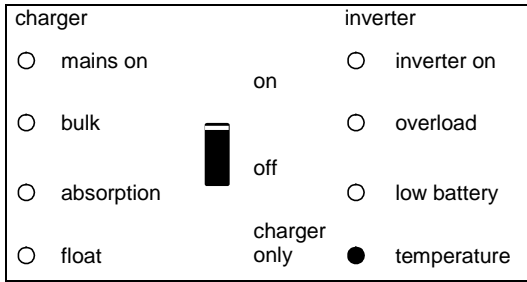
The battery is almost empty.

charger		inverter	
<input type="radio"/> mains on	on	<input type="radio"/> inverter on	
<input type="radio"/> bulk	<input checked="" type="radio"/> off	<input type="radio"/> overload	
<input type="radio"/> absorption		<input checked="" type="radio"/> low battery	
<input type="radio"/> float	charger only	<input type="radio"/> temperature	

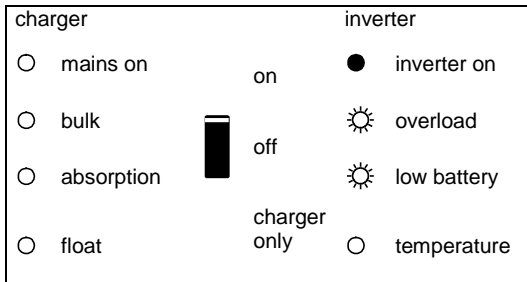
The inverter is switched off due to low battery voltage.

charger		inverter	
<input type="radio"/> mains on	on	<input checked="" type="radio"/> inverter on	
<input type="radio"/> bulk	<input checked="" type="radio"/> off	<input type="radio"/> overload	
<input type="radio"/> absorption		<input type="radio"/> low battery	
<input type="radio"/> float	charger only	<input checked="" type="radio"/> temperature	

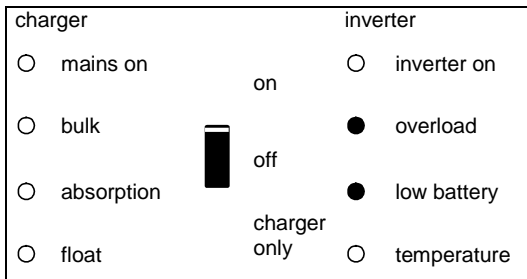
The internal temperature is reaching a critical level.



The inverter is switched off due to excessively high internal temperature.



– If the LEDs flash alternately, the battery almost empty and nominal power is exceeded.
 – If “overload” and “low battery” flash simultaneously, there is an excessively high ripple voltage at the battery connection.



The inverter is switched off due to an excessively high ripple voltage on the battery connection.

Battery charger

charger		inverter	
<input checked="" type="radio"/> mains on	on	<input type="radio"/> inverter on	
<input checked="" type="radio"/> bulk	off	<input type="radio"/> overload	
<input type="radio"/> absorption	charger only	<input type="radio"/> low battery	
<input type="radio"/> float		<input type="radio"/> temperature	

The AC voltage on AC-in-1 or AC-in-2 is switched through, and the charger operates in bulk phase.

charger		inverter	
<input checked="" type="radio"/> mains on	on	<input type="radio"/> inverter on	
<input checked="" type="radio"/> bulk	off	<input type="radio"/> overload	
<input checked="" type="radio"/> absorption	charger only	<input type="radio"/> low battery	
<input type="radio"/> float		<input type="radio"/> temperature	

The AC voltage on AC-in-1 or AC-in-2 is switched through and the charger operates, but the set absorption voltage has not yet been reached (battery protection mode)

charger		inverter	
<input checked="" type="radio"/> mains on	on	<input type="radio"/> inverter on	
<input type="radio"/> bulk	off	<input type="radio"/> overload	
<input checked="" type="radio"/> absorption	charger only	<input type="radio"/> low battery	
<input type="radio"/> float		<input type="radio"/> temperature	

The AC voltage on AC-in-1 or AC-in-2 is switched through, and the charger operates in absorption phase.

charger		inverter	
<input checked="" type="radio"/> mains on	on	<input type="radio"/> inverter on	
<input type="radio"/> bulk	off	<input type="radio"/> overload	
<input type="radio"/> absorption	charger only	<input type="radio"/> low battery	
<input checked="" type="radio"/> float		<input type="radio"/> temperature	

The AC voltage on AC-in-1 or AC-in-2 is switched through, and the charger operates in float or storage phase.

charger		inverter	
<input checked="" type="radio"/> mains on	on	<input type="radio"/> inverter on	
<input checked="" type="radio"/> bulk	off	<input type="radio"/> overload	
<input checked="" type="radio"/> absorption	charger only	<input type="radio"/> low battery	
<input type="radio"/> float		<input type="radio"/> temperature	

The AC voltage on AC-in-1 or AC-in-2 is switched through, and the charger operates in equalisation mode.


Special indications

Set with limited input current

charger		inverter	
<input checked="" type="radio"/> mains on	on	<input type="radio"/> inverter on	
<input type="radio"/> bulk	 off	<input type="radio"/> overload	
<input type="radio"/> absorption		<input type="radio"/> low battery	
<input type="radio"/> float	charger only	<input type="radio"/> temperature	

Occurs only if PowerAssist is disabled.
The AC voltage on AC1-in-1 or AC-in-2 is switched through. The AC-input current is equal to the load current. The charger is down-controlled to 0A.

Set to supply additional current

charger		inverter	
<input checked="" type="radio"/> mains on	on	<input checked="" type="radio"/> inverter on	
<input type="radio"/> bulk	 off	<input type="radio"/> overload	
<input type="radio"/> absorption		<input type="radio"/> low battery	
<input type="radio"/> float	charger only	<input type="radio"/> temperature	

The AC voltage on AC-in-1 or AC-in-2 is switched through, but the load demands more current than the mains can supply. The inverter is now switched on to supply additional current.

4. INSTALLATION



This product may only be installed by a qualified electrician.

4.1 Location

The Quattro should be installed in a dry, well-ventilated location, as close as possible to the batteries. The device should be surrounded by a free space of at least 10 cm for cooling purposes.



An excessively high environmental temperature has the following consequences:

- shorter lifecycle
- lower charging current
- lower peak power or full inverter shut off.

Never place the device directly above the batteries.

The Quattro is suitable for wall mounting. For mounting purposes, a hook and two holes are provided at the back of the casing (see appendix G). The device can be fitted either horizontally or vertically. For optimal cooling, vertical fitting is preferred.



The inner part of the device should remain well accessible after installation.

The distance between the Quattro and the battery should be as short as possible to reduce voltage loss across the battery leads to a minimum.



Install the product in a heatproof environment. Ensure therefore that there are no chemicals, plastic parts, curtains or other textiles, etc. in the direct vicinity.



The Quattro has no internal DC fuse. The DC fuse should be installed outside the Quattro.

4.2 Connecting the battery cables

In order to use the full potential of the Quattro, batteries of sufficient capacity and battery cables with the correct cross-section should be used.

See table:

	12/5000/220	24/5000/120	48/5000/70
Recommended battery capacity (Ah)	800–2400	400–1400	200–800
Recommended DC fuse	750A	400A	200A
Recommended cross-section (mm ²) per + and - connection terminal			
0 – 5 m*	2x 90 mm ²	2x 50 mm ²	1x 70 mm ²
5 -10 m*		2x 90 mm ²	2x 70 mm ²

* '2x' means two positive and two negative cables.

Procedure

To connect the battery cables, follow the procedure below:



Use a torque wrench with insulated box spanner in order to avoid shorting the battery.

Maximum torque: 11 Nm

- Remove the DC fuse.
- Loosen the four lower front panel screws at the front of the unit, and remove the lower front panel.
- Connect the battery leads: + (red) to the right-hand terminal and - (black) to the left-hand terminal (see appendix A).
- Tighten the connections after mounting the fastening parts.
- Tighten the nuts well for minimal contact resistance.
- Replace the DC fuse only after completing the whole installation procedure.

4.3 Connecting AC cables

The Quattro is a safety class I product (supplied with an ground terminal for safety purposes). **Its AC input and/or output terminals and/or grounding point on the outside of the product must be provided with an uninterruptable grounding point for safety purposes. See the following instructions in this regard.**



The Quattro is provided with a ground relay (see appendix) that **automatically connects the N output to the casing if no external AC supply is available**. If an external AC supply is provided, the ground relay will open before the input safety relay closes (relay H in appendix B). This ensures the correct operation of an earth leakage circuit breaker that is connected to the output.

- In a fixed installation, an uninterruptable grounding can be secured by means of the grounding wire of the AC input. Otherwise the casing must be grounded.
- In a mobile installation (for example, with a shore current plug), interrupting the shore connection will simultaneously disconnect the grounding connection. In that case, the casing must be connected to the chassis (of the vehicle) or to the hull or grounding plate (of the boat).
- In general, the connection described above to shore connection grounding is not recommended for boats because of galvanic corrosion. The solution to this is using an isolating transformer.

AC-in-1 (see appendix A, maximum torque: 6 Nm)

If AC voltage is present on these terminals, the Quattro will use this connection. Generally a generator will be connected to AC-in-1.

The AC-in-1 input must be protected by a fuse or magnetic circuit breaker rated at 100A or less, and cable cross-section must be sized accordingly. If the input AC supply is rated at a lower value, the fuse or magnetic circuit breaker should be down sized accordingly.

AC-in-2 (see appendix A, maximum torque: 6 Nm)

If AC voltage is present on these terminals, the Quattro will use this connection, **unless voltage is also present on AC-in-1. The Quattro will then automatically select AC-in-1.** Generally the mains supply or shore voltage will be connected to AC-in-2.

The AC-in-2 input must be protected by a fuse or magnetic circuit breaker rated at 100A or less, and cable cross-section must be sized accordingly. If the input AC supply is rated at a lower value, the fuse or magnetic circuit breaker should be down sized accordingly.

Note: The Quattro may not start when AC is present only on AC-in-2, and DC battery voltage is 10% or more below nominal (less than 11 Volt in case of a 12 Volt battery).

Solution: connect AC power to AC-in-1, or recharge the battery.

AC-out-1 (see appendix A, maximum torque: 6 Nm)

The AC output cable can be connected directly to the terminal block "AC-out".

With its PowerAssist feature the Quattro can add up to 5kVA (that is $5.000 / 120 = 42A$) to the output during periods of peak power requirement. Together with a maximum input current of 100A this means that the output can supply up to $100 + 42 = 142A$.

An earth leakage circuit breaker and a fuse or circuit breaker rated to support the expected load must be included in series with the output, and cable cross-section must be sized accordingly. The maximum rating of the fuse or circuit breaker is 142A.

AC-out-2 (see appendix A, maximum torque: 6 Nm)

A second output is available that disconnects its load in the event of battery operation. On these terminals, equipment is connected **that should operate only if AC voltage is available on AC-in-1 or AC-in-2**, e.g. an electric boiler or an air conditioner. The load on AC-out-2 is disconnected immediately when the Quattro switches to battery operation. After AC power becomes available on AC-in-1 or AC-in-2, the load on AC-out-2 will be reconnected with a delay of approximately 2 minutes. This to allow a genset to stabilise.

AC-out-2 can support loads of up to 50A. An earth leakage circuit breaker and fuse or circuit breaker rated at max. 50A must be connected in series with AC-out-2.

Procedure

Use three-core cable. The connection terminals are clearly marked:

PE: earth

N: neutral conductor

L: phase/live conductor

4.4 Connection options

4.4.1 Starter battery (connection terminal E, see appendix A)

The Quattro has a connection for charging a starter battery. Output current is limited to 4A. (not available on 48V models)

4.4.2 Voltage sense (connection terminal E, see appendix A)

For compensating possible cable losses during charging, two sense wires can be connected with which the voltage direct on the battery or on the positive and negative distribution points can be measured. Use at least wire with a cross-section of 0,75mm².

During battery charging, the Quattro will compensate the voltage drop over the DC cables to a maximum of 1 Volt (i.e. 1V over the positive connection and 1V over the negative connection). If the voltage drop threatens to become larger than 1V, the charging current is limited in such a way that the voltage drop remains limited to 1V.

4.4.3 Temperature sensor (connection terminal E, see appendix A)

For temperature-compensated charging, the temperature sensor (supplied with the Quattro) can be connected. The sensor is isolated and must be fitted to the negative terminal of the battery.

4.4.4 Remote control

The Quattro can be remotely controlled in two ways:

- With an external switch (connection terminal H, see appendix A). Operates only if the switch on the Quattro is set to "on".
- With a remote control panel (connected to one of the two RJ48 sockets B, see appendix A). Operates only if the switch on the Quattro is set to "on".

Using the remote control panel, only the current limit for AC-in-2 can be set (in regard to PowerControl and PowerAssist). The current limit for AC-in-1 can be set with DIP switches or by means of software.

Only one remote control can be connected, i.e. either a switch or a remote control panel.

4.4.5. Programmable relays (connection terminal I and E (K1 and K2), see appendix A)

The Quattro is equipped with 3 programmable relays. The relay that controls terminal I is set as an alarm relay (default setting). The relays can be programmed for all kinds of other applications, for example to start a generator (VEConfigure software needed).

4.4.6 Programmable analog/digital input/output ports

These ports can be used for several purposes. One application is communication with the BMS of a lithium-ion battery.

4.4.7 Auxiliary AC output (AC-out-2)

Besides the usual uninterruptable output (AC-out-1), a second output (AC-out-2) is available that disconnects its load in the event of battery operation. Example: an electric boiler or air conditioner that is allowed to operate only if the genset is running or shore power is available.

In case of battery operation, AC-out-2 is switched off immediately. After the AC supply has become available, AC-out-2 is reconnected with a delay of 2 minutes, this allow a genset to stabilise prior to connecting a heavy load.

4.4.8 Connecting Quattro's in parallel (see appendix C)

The Quattro can be connected in parallel with several identical devices. To this end, a connection is established between the devices by means of standard RJ45 UTP cables. The system (one or more Quattro's plus optional control panel) will require subsequent configuration (see Section 5).

In the event of connecting Quattro units in parallel, the following requirements must be met:

- A maximum of 6 units connected in parallel.
- Only identical devices with the same power ratings may be connected in parallel.
- Battery capacity should be sufficient.
- The DC connection cables to the devices must be of equal length and cross-section.
- If a positive and a negative DC distribution point is used, the cross-section of the connection between the batteries and the DC distribution point must at least equal the sum of the required cross-sections of the connections between the distribution point and the Quattro units.
- Place the Quattro units close to each other, but allow at least 10 cm for ventilation purposes under, above and beside the units.
- UTP cables must be connected directly from one unit to the other (and to the remote panel). Connection/splitter boxes are not permitted.
- A battery-temperature sensor need only be connected to one unit in the system. If the temperature of several batteries is to be measured, you can also connect the sensors of other Quattro units in the system (with a maximum of one sensor per Quattro). Temperature compensation during battery charging responds to the sensor indicating the highest temperature.
- Voltage sensing must be connected to the master (see Section 5.5.1.4).
- Only one remote control means (panel or switch) can be connected to the system.

4.4.9 Three-phase configuration (see appendix C)

Quattro's can also be used in 3-phase wye (Y) configuration. To this end, a connection between the devices is made by means of standard RJ45 UTP cables (the same as for parallel operation). The system (Quattro's plus an optional control panel) will require subsequent configuration (see Section 5).

Pre-requisites: see Section 4.4.8.

Note: the Quattro is not suitable for 3-phase delta (Δ) configuration.

5. CONFIGURATION



- Settings may only be changed by a qualified electrical engineer.
- Read the instructions thoroughly before implementing changes.
- During setting of the charger, the DC fuse in the battery connections must be removed.

5.1 Standard settings: ready for use

On delivery, the Quattro is set to standard factory values. In general, these settings are selected for single-unit operation. Settings, therefore, do not require changing in the event of stand-alone use.

Warning: Possibly, the standard battery charging voltage is not suitable for your batteries! Refer to the manufacturer's documentation, or to your battery supplier!

Standard Quattro factory settings

Inverter frequency	60 Hz
Input frequency range	45 - 65 Hz
Input voltage range	94 - 143 VAC
Inverter voltage	120 VAC
Stand-alone / parallel / 3-phase	stand-alone
Search mode	off
Ground relay	on
Charger on/ off	on
Charging characteristics	four-stage adaptive with BatterySafe mode
Charging current	75% of the maximum charging current
Battery type (Discharge)	Victron Gel Deep Discharge (also suitable for Victron AGM Deep)
Automatic equalisation charging	off
Absorption voltage	14.4 / 28.8 / 57.6 V
Absorption time	up to 8 hours (depending on bulk time)
Float voltage	13.8 / 27.6 / 55.2 V
Storage voltage	13.2 / 26,4 / 52,8V (not adjustable)
Repeated absorption time	1 hour
Absorption repeat interval	7 days
Bulk protection	on
Generator (AC-in-1) / shore current (AC-in-2)	60A/30A (default setting, adjustable current limit for PowerControl and PowerAssist functions)
UPS feature	on
Dynamic current limiter	off
WeakAC	off
BoostFactor	2
Programmable relay (3x)	alarm function
PowerAssist	on
Analog/digital input/output ports	programmable
Frequency shift	off
Built-in Battery Monitor	optional

5.2 Explanation of settings

Settings that are not self-explanatory are described briefly below. For further information, please refer to the help files in the software configuration programs (see Section 5.3).

Inverter frequency

Output frequency if no AC is present at the input.
Adjustability: 50Hz; 60Hz

Input frequency range

Input frequency range accepted by the Quattro. The Quattro synchronises within this range with the voltage present on AC-in-1 (priority input) or AC-in-2. Once synchronised, the output frequency will be equal to the input frequency.
Adjustability: 45 – 65 Hz; 45 – 55 Hz; 55 – 65 Hz

Input voltage range

Voltage range accepted by the Quattro. The Quattro synchronises within this range with the voltage present on AC-in-1 (priority input) or on AC-in-2. After the back feed relay has closed, output voltage will be equal to input voltage.
Adjustability:
Lower limit: 94 - 120V
Upper limit: 120 - 143V

Inverter voltage

Output voltage of the Quattro in battery operation.
Adjustability: 95 – 128V

Stand-alone / parallel operation / 2-3 phase setting

Using several devices, it is possible to:

- increase total inverter power (several devices in parallel)
- create a split-phase system (only for Quattro units with 120V output voltage)
- create a 3-phase system.

To this end, the devices must be mutually connected with RJ45 UTP cables. Standard device settings, however, are such that each device operates in stand-alone operation. Reconfiguration of the devices is therefore required.

AES (Automatic Economy Switch)

If this setting is turned 'on', the power consumption in no-load operation and with low loads is decreased by approx. 20%, by slightly 'narrowing' the sinusoidal voltage. Not adjustable with DIP switches. Applicable in stand-alone configuration only.

Search Mode

Instead of the AES mode, the search mode can also be chosen (with help of VEConfigure only).

If search mode is 'on', the power consumption in no-load operation is decreased by approx. 70%. In this mode the Quattro, when operating in inverter mode, is switched off in case of no load or very low load, and switches on every two seconds for a short period. If the output current exceeds a set level, the inverter will continue to operate. If not, the inverter will shut down again.

The Search Mode "shut down" and "remain on" load levels can be set with VEConfigure.

The standard settings are:

Shut down: 40 Watt (linear load)

Turn on: 100 Watt (linear load)

Not adjustable with DIP switches. Applicable in stand-alone configuration only.

Ground relay (see appendix B)

With this relay (E) the neutral conductor of the AC output is grounded to the casing when the back feed safety relays in the AC-in-1 and the AC-in-2 inputs are open. This ensures the correct operation of earth leakage circuit breakers in the outputs.

- If a non-grounded output is required during inverter operation, this function must be turned off. (See also Section 4.5)

Not adjustable with DIP switches.

- If required an external ground relay can be connected (for a split-phase system with a separate autotransformer).

See appendix A.

Charging characteristics

The standard setting is 'Four-stage adaptive with BatterySafe mode'. See Section 2 for a description.

This is the best charging characteristic. See the help files in the software configuration programs for other features.

'Fixed' mode can be selected with DIP switches.

Battery type

The standard setting is the most suitable for Victron Gel Deep Discharge, Gel Exide A200, and tubular plate stationary batteries (OPzS). This setting can also be used for many other batteries: e.g. Victron AGM Deep Discharge and other AGM batteries, and many types of flat-plate open batteries. Four charging voltages can be set with DIP switches.

Automatic equalisation charging

This setting is intended for tubular plate traction batteries. During absorption the voltage limit increases to 2,83V/cell (34V for a 24V battery) once the charge current has tapered down to less than 10% of the set maximum current.

Not adjustable with DIP switches.

See 'tubular plate traction battery charge curve' in VEConfigure.

Absorption time

This depends on the bulk time (adaptive charging characteristic), so that the battery is optimally charged. If the 'fixed' charging characteristic is selected, the absorption time is fixed. For most batteries, a maximum absorption time of eight hours is suitable. If an extra high absorption voltage is selected for rapid charging (only possible for open, flooded batteries!), four hours is preferable. With DIP switches, a time of eight or four hours can be set. For the adaptive charging characteristic, this determines the maximum absorption time.

Storage voltage, Repeated Absorption Time, Absorption Repeat Interval

See Section 2. Not adjustable with DIP switches.

Bulk Protection

When this setting is 'on', the bulk charging time is limited to 10 hours. A longer charging time could indicate a system error (e.g. a battery cell short-circuit). Not adjustable with DIP switches.

AC input current limit AC-in-1 (generator) / AC-in-2 (shore/grid supply)

These are the current limit settings at which PowerControl and PowerAssist come into operation.

PowerAssist setting range:

- From 18A to 100A for input AC-in-1
- From 18A to 100A for input AC-in-2

Factory setting: 60A for AC1 and 30A for AC2.

In case of parallel units the range the minimum and maximum values have to be multiplied by the number of parallel units. See Section 2, the book 'Energy Unlimited', or the many descriptions of this unique feature on our website www.victronenergy.com.

UPS feature

If this setting is 'on' and AC on the input fails, the Quattro switches to inverter operation practically without interruption. The Quattro can then be used as an Uninterruptible Power Supply (UPS) for sensitive equipment such as computers or communication systems.

The output voltage of some small generating sets is too unstable and distorted for using this setting – the Quattro would continually switch to inverter operation. For this reason, the setting can be turned off. The Quattro will then respond less quickly to voltage deviations on AC-in-1 or AC-in-2. The switchover time to inverter operation is consequently slightly longer, but most equipment (computers, clocks or household equipment) is not adversely impacted.

Recommendation: Turn the UPS feature off if the Quattro fails to synchronise, or continually switches back to inverter operation.

Dynamic current limiter

Intended for generators, the AC voltage being generated by means of a static inverter (so-called 'inverter' generators). In these generators, rotational speed is down-controlled if the load is low: this reduces noise, fuel consumption and pollution. A disadvantage is that the output voltage will drop severely or even completely fail in the event of a sudden load increase. More load can only be supplied after the engine is up to speed.

If this setting is 'on', the Quattro will start supplying extra power at a low generator output level and gradually allow the generator to supply more, until the set current limit is reached. This allows the generator engine to get up to speed.

This setting is also often used for 'classical' generators that respond slowly to sudden load variation.

WeakAC

Strong distortion of the input voltage can result in the charger hardly operating or not operating at all. If WeakAC is set, the charger will also accept a strongly distorted voltage, at the cost of greater distortion of the input current.

Recommendation: Turn WeakAC on if the charger is hardly charging or not charging at all (which is quite rare!). Also turn on the dynamic current limiter simultaneously, and reduce the maximum charging current to prevent overloading the generator if necessary.

Note: when WeakAC is on, the maximum charge current is reduced by approximately 20%.

Not adjustable with DIP switches.

BoostFactor

Change this setting only after consulting with Victron Energy or with an engineer trained by Victron Energy!

Not adjustable with DIP switches.

Three programmable relays

The Quattro is equipped with 3 programmable relays. The relays can be programmed for all kinds of other applications, for example as a starter relay for a generating set. The default setting of the relay in position I (see appendix A, upper right corner) is 'alarm'.

Not adjustable with DIP switches.

Two programmable analog input ports

The Quattro is equipped with 2 analog ports.

These ports can be used for several purposes. One application is communication with the BMS of a lithium-ion battery.

Not adjustable with DIP switches.

Frequency shift

When solar inverters are connected to the output of a Multi or Quattro, the excess solar energy is used to recharge the batteries. Once the absorption voltage is reached, the Multi or Quattro will shut down the solar inverter by shifting the output frequency 1Hz (from 50Hz to 51Hz for example). Once battery voltage has dropped slightly, the frequency returns to normal and the solar inverters will restart.

Not adjustable with DIP switches.

Built-in Battery Monitor (optional)

The ideal solution when Multi's or Quattro's are part of a hybrid system (diesel generator, inverter/chargers, storage battery, and alternative energy). The built-in battery monitor can be set to start and stop the generator:

- Start at a preset % discharge level, and/or
- start (with a preset delay) at a preset battery voltage, and/or
- start (with a preset delay) at a preset load level.
- Stop at a preset battery voltage, or
- stop (with a preset delay) after the bulk charge phase has been completed, and/or
- stop (with a preset delay) at a preset load level.

Not adjustable with DIP switches.



5.3 Configuration by computer

All settings can be changed by means of a computer
The most common settings can be changed by means of DIP switches (see Section 5.5).

NOTE:

**This manual is intended for products with firmware xxxx400 or higher (with x any number)
The firmware number can be found on the microprocessor, after removing the front panel.**

It is possible to update older units, as long as that same 7 digit number starts with either 26 or 27. When it starts with 19 or 20 you have an old microprocessor and it is not possible to update to 400 or higher.

For changing settings with the computer, the following is required:
- VEConfigureII software: can be downloaded free of charge at www.victronenergy.com.
- A RJ45 UTP cable and the MK2-USB interface.

5.3.1 VE.Bus Quick Configure Setup

VE.Bus Quick Configure Setup is a software program with which systems with a maximum of three Quattro units (parallel or three phase operation) can be configured in a simple manner. VEConfigureII forms part of this program.

The software can be downloaded free of charge at www.victronenergy.com .
For connection to the computer, a RJ45 UTP cable and the MK2-USB interface is required.

5.3.2 VE.Bus System Configurator

For configuring advanced applications and/or systems with four or more Quattro units, **VE.Bus System Configurator** software must be used. The software can be downloaded free of charge at www.victronenergy.com . VEConfigureII forms part of this program.

For connection to the computer, a RJ45 UTP cable and the MK2-USB interface is required.

5.3.3 More software

Several other software tools are available:

- Assitants: to configure Multis and Quattros for particular applications (such as self-consumption applications).
- apps: to help managing and monitoring a system with a smart phone or tablet (see Support -> Software on our website, ColorControl panel needed).
- VRM (Victron Remote Monitoring website): numerical and graphical display of system parameters and history (ColorControl panel needed).
- Remote VE Configure: to configure or change settings of a system remotely (ColorControl panel needed).
- The Multi/Quattro can also be used as a bidirectional inverter operating parallel to the grid, integrated into a customer designed system (PLC or other) that takes care of the control-loop and grid measurement, see http://www.victronenergy.com/live/system_integration:hub4_grid_parallel

5.4 Configuration with a VE.Net panel

To this end, a VE.Net panel and the VE.Net to VE.Bus converter is required.
With VE.Net all parameters are accessible, with the exception of the multi-functional relay and the VirtualSwitch.

5.5 Configuration with DIP switches

Introduction

A number of settings can be changed using DIP switches (see appendix A, position M).

Note: When changing settings with dipperswitches in a parallel or split-phase/3-phase system one should be aware that not all settings are relevant on all Quattros. This because some settings will be dictated by the Master or Leader. Some settings are only relevant in the Master/Leader (ie they are not relevant in a slave or in a follower). Other settings are not relevant for slaves but are relevant for followers.

A note on used terminology:

A system in which more than one Quattro is used to create a single AC phase is called a parallel system. In this case one of the Quattros will control the whole phase, this one is called the master. The others, called slaves, will just listen to the master to determine their action.

It is also possible to create more AC phases (split-phase or 3-phase) with 2 or 3 Quattros. In this case the Quattro in Phase L1 is called the Leader. The Quattro in phase L2 (and L3 if available) will generate the same AC frequency but will follow L1 with a fixed phase shift. These Quattros are called followers.

If more Quattros are used per phase in a split-phase or 3-phase system (for instance 6 Quattros used to build a 3-phase system with 2 Quattros per phase) then the Leader of the system is also the Master of phase L1. The Followers in phase L2 and L3 will also take the Master role in phase L2 and L3. All others will be slaves.

Setting up parallel or split-phase/3-phase systems should be done by software, see paragraph 5.3.

TIP: If you don't want to bother about a Quattro being a master/slave/follower then the easiest and most straight forward way is to set all settings identically on all Quattros.

General procedure:

Turn the Quattro on, preferably unloaded en without AC voltage on the inputs. The Quattro will then operate in inverter mode.

Step 1: Set the DIP switches for:

- the required current limitation of the AC input. (not relevant for slaves)
- limitation of the charging current. (only relevant for Master/Leader)

Press the 'Up' button for 2 seconds (**upper** button to the right of the DIP switches, see appendix A, position K) to store the settings after the required values have been set. You can now re-use the DIP switches to apply the remaining settings (step 2).

Step 2: other settings, set the dipperswitches for:

- Charge voltages (only relevant for Master/Leader)
- Absorption time (only relevant for Master/Leader)
- Adaptive charging (only relevant for Master/Leader)
- Dynamic current limiter (not relevant for slaves)
- UPS function (not relevant for slaves)
- converter voltage (not relevant for slaves)
- converter frequency (only relevant for Master/Leader)

Press the 'Down' button for 2 seconds (**lower** button to the right of the DIP switches) to store the settings after the dipperswitches have been set in the correct position. You can now leave the DIP switches in the selected positions, so that the 'other settings' can always be recovered.

Remark:

- The DIP switch functions are described in 'top to bottom' order. Since the uppermost DIP switch has the highest number (8), descriptions start with the switch numbered 8.

Detailed instruction:

5.5.1 Step 1

5.5.1.1 Current limitation AC inputs (default: AC-in-1: 60A, AC-in-2: 30A)

If the current demand (Quattro load + battery charger) threatens to exceed the set current, the Quattro will first reduce its charging current (PowerControl), and subsequently supply additional power from the battery (PowerAssist), if needed.

The AC-in-1 current limit (the generator) can be set to eight different values by means of DIP switches.

The AC-in-2 current limit can be set to two different values by means of DIP switches. With a Multi Control Panel, a variable current limit can be set for the AC-in-2 input.

Procedure

AC-in-1 can be set using DIP switches ds8, ds7 and ds6 (default setting: 60A).

Procedure: set the DIP switches to the required value:

ds8 ds7 ds6

off off off = 15A (1.8kVA at 120V)

off off on = 20A (2.4kVA at 120V)

off on off = 25A (3.0kVA at 120V)

off on on = 30A (3.6kVA at 120V)

on off off = 35A (4.2kVA at 120V)

on off on = 40A (4.8kVA at 120V)

on on off = 50A (6.0kVA at 120V)

on on on = 60A (7.2kVA at 120V)

More than 60A: with VEConfigure software

Remark: Manufacturer-specified continuous power ratings for small generators are sometimes inclined to be rather optimistic. In that case, the current limit should be set to a much lower value than would otherwise be required on the basis of manufacturer-specified data.

AC-in-2 can be set in two steps using DIP switch ds5 (default setting: 30A).

Procedure: set ds5 to the required value:

ds5

off = 30A

on = 50A

More than 50A: with VEConfigure software or a Digital Multi Control Panel

5.5.1.2 Charge current limitation (default setting 75%)

For maximum battery life, a charge current of 10% to 20% of the capacity in Ah should be applied.

Example: optimal charge current of a 24V/500Ah battery bank: 50A to 100A.

The temperature sensor supplied automatically adjusts the charging voltage to the battery temperature.

If faster charging – and a subsequent higher current – is required:

- the temperature sensor supplied should be fitted to the battery, since fast charging can lead to a considerable temperature rise of the battery bank. The charging voltage is adapted to the higher temperature (i.e. lowered) by means of the temperature sensor.

- the bulk charging time will sometimes be so short that a fixed absorption time would be more satisfactory ('fixed' absorption time, see ds5, step 2).

Procedure

The battery charging current can be set in four steps, using DIP switches ds4 and ds3 (default setting: 75%).

ds4 ds3

off off = 25%

off on = 50%

on off = 75%

on on = 100%

Note: when WeakAC is on, the maximum charge current is reduced from 100% to approximately 80%.

5.5.1.3 DIP switches ds2 and ds1 are not used during step 1.

IMPORTANT NOTE:

If the last 3 digits of the Multi firmware is in the 100 range (so the firmware number is xxxx1xx (with x any numer)) then ds1 & ds2 are used to set a Multi in stand-alone, parallel or three-phase. Please consult the appropriate manual.

5.5.1.4 Examples

examples of settings:

DS-8 AC-in-1 DS-7 AC-in-1 DS-6 AC-in-1 DS-5 AC-in-2 DS-4 Charging current DS-3 Charging current DS-2 Stand-alone mode DS-1 Stand-alone mode	<input type="checkbox"/> on <input type="checkbox"/> on <input type="checkbox"/> on <input type="checkbox"/> on <input type="checkbox"/> on <input type="checkbox"/> off <input type="checkbox"/> off <input type="checkbox"/> off	DS-8 DS-7 DS-6 DS-5 DS-4 DS-3 DS-2 DS-1	<input type="checkbox"/> on <input type="checkbox"/> on <input type="checkbox"/> on <input type="checkbox"/> off <input type="checkbox"/> on <input type="checkbox"/> on <input type="checkbox"/> off <input type="checkbox"/> off	DS-8 DS-7 DS-6 DS-5 DS-4 DS-3 DS-2 DS-1	<input type="checkbox"/> off <input type="checkbox"/> on <input type="checkbox"/> on <input type="checkbox"/> off <input type="checkbox"/> on <input type="checkbox"/> on <input type="checkbox"/> off <input type="checkbox"/> off	DS-8 DS-7 DS-6 DS-5 DS-4 DS-3 DS-2 DS-1	<input type="checkbox"/> on <input type="checkbox"/> on <input type="checkbox"/> off <input type="checkbox"/> on <input type="checkbox"/> off <input type="checkbox"/> on <input type="checkbox"/> off <input type="checkbox"/> off
Step1, stand-alone Example 1 (factory setting): 8, 7, 6 AC-in-1: 60A 5 AC-in-2: 30A 4, 3 Charging current: 75% 2, 1 Stand-alone mode	Step1, stand-alone Example 2: 8, 7, 6 AC-in-1: 60A 5 AC-in-2: 30A 4, 3 Charge: 100% 2, 1 Stand-alone	Step1, stand-alone Example 3: 8, 7, 6 AC-in-1: 30A 5 AC-in-2: 30A 4, 3 Charge: 100% 2, 1 Stand-alone	Step1, stand-alone Example 4: 8, 7, 6 AC-in-1: 50A 5 AC-in-2: 50A 4, 3 Charge: 50% 2, 1 Stand-alone				

To store the settings after the required values have been set: press the 'Up' button for 2 seconds (**upper** button to the right of the DIP switches, see appendix A, position K). **The overload and low-battery LED's will flash to indicate acceptance of the settings.**

We recommend making a note of the settings, and filing this information in a safe place.

The DIP switches can now be used to apply the remaining settings (step 2).

5.5.2 Step 2: Other settings

The remaining settings are not relevant for slaves.

Some of the remaining settings are not relevant for followers (**L2, L3**). These settings are imposed on the whole system by the leader **L1**. If a setting is irrelevant for L2, L3 devices, this is mentioned explicitly.

ds8-ds7: Setting charging voltages (**not relevant for L2, L3**)

ds8-ds7	Absorption voltage	Float voltage	Storage voltage	Suitable for
off off	14.1 28.2 56.4	13.8 27.6 55.2	13.2 26.4 52.8	Gel Victron Long Life (OPzV) Gel Exide A600 (OPzV) Gel MK battery
off on	14.4 28.8 57.6	13.8 27.6 55.2	13.2 26.4 52.8	Gel Victron Deep Discharge Gel Exide A200 AGM Victron Deep Discharge Stationary tubular plate (OPzS)
on off	14.7 29.4 58.8	13.8 27.6 55.2	13.2 26.4 52.8	AGM Victron Deep Discharge Tubular plate (OPzS) batteries in semi-float mode AGM spiral cell
on on	15.0 30.0 60.0	13.8 27.6 55.2	13.2 26.4 52.8	Tubular plate (OPzS) batteries in cyclic mode

ds6: absorption time 8 or 4 hours (**not relevant for L2, L3**) on = 8 hours off = 4 hours

ds5: adaptive charging characteristic (**not relevant for L2, L3**) on = active off = inactive (fixed absorption time)

ds4: dynamic current limiter on = active off = inactive

ds3: UPS function on = active off = inactive

ds2: converter voltage on = 120V off = 115V

ds1: converter frequency (**not relevant for L2, L3**) on = 50Hz off = 60Hz
(the wide input frequency range (45-55Hz) is 'on' by default)

Note:

- If "adaptive charging algorithm" is on, ds6 sets the maximum absorption time to 8 hours or 4 hours.
- If "adaptive charging algorithm" is off, the absorption time is set to 8 hours or 4 hours (fixed) by ds6.

Step 2: Exemplary settings

Example 1 is the factory setting (since factory settings are entered by computer, all DIP switches of a new product are set to 'off' and do not reflect the actual settings in the microprocessor).

DS-8 Ch. voltage DS-7 Ch. voltage DS-6 Absorpt. time DS-5 Adaptive ch. DS-4 Dyn. Curr. limit DS-3 UPS function: DS-2 Voltage DS-1 Frequency		DS-8 DS-7 DS-6 DS-5 DS-4 DS-3 DS-2 DS-1		DS-8 DS-7 DS-6 DS-5 DS-4 DS-3 DS-2 DS-1		DS-8 DS-7 DS-6 DS-5 DS-4 DS-3 DS-2 DS-1	
Step 2 Example 1 (factory setting): 8, 7 GEL 14,4V 6 Absorption time: 8 hours 5 Adaptive charging: on 4 Dynamic current limit: off 3 UPS function: on 2 Voltage: 120V 1 Frequency: 50Hz	Step 2 Example 2: 8, 7 OPzV 14,1V 6 Absorption time: 8 h 5 Adaptive charging: on 4 Dyn. current limit: off 3 UPS function: off 2 Voltage: 120V 1 Frequency: 50Hz	Step 2 Example 3: 8, 7 AGM 14,7V 6 Absorption time: 8 h 5 Adaptive charging: on 4 Dyn. current limit: on 3 UPS function: off 2 Voltage: 115V 1 Frequency: 50Hz	Step 2 Example 4: 8, 7 Tubular-plate 15V 6 Absorption time: 4 h 5 Fixed absorption time 4 Dyn. current limit: off 3 UPS function: on 2 Voltage: 115V 1 Frequency: 60Hz				

To store the settings after the required values have been set: press the 'Down' button for 2 seconds (lower button to the right of the DIP switches). **The temperature and low-battery LEDs will flash to indicate acceptance of the settings.**

The DIP switches can be left in the selected positions, so that the 'other settings' can always be recovered.

6. MAINTENANCE

The Quattro does not require specific maintenance. It will suffice to check all connections once a year. Avoid moisture and oil/soot/vapours, and keep the device clean.

7. ERROR INDICATIONS

With the procedures below, most errors can be quickly identified. If an error cannot be resolved, please refer to your Victron Energy supplier.

7.1 General error indications

Problem	Cause	Solution
Quattro will not switch over to generator or mains operation.	Circuit breaker or fuse in the AC-in input is open as a result of overload.	Remove overload or short circuit on AC-out-1 or AC-out-2, and reset fuse/breaker.
Inverter operation not initiated when switched on.	The battery voltage is excessively high or too low. No voltage on DC connection.	Ensure that the battery voltage is within the correct range.
"Low battery" LED flashes.	The battery voltage is low.	Charge the battery or check the battery connections.
"Low battery" LED lights.	The converter switches off because the battery voltage is too low.	Charge the battery or check the battery connections.
"Overload" LED flashes.	The converter load is higher than the nominal load.	Reduce the load.
"Overload" LED lights.	The converter is switched off due to excessively high load.	Reduce the load.
"Temperature" LED flashes or lights.	The environmental temperature is high, or the load is too high.	Install the converter in cool and well-ventilated environment, or reduce the load.
"Low battery" and "overload" LEDs flash intermittently.	Low battery voltage and excessively high load.	Charge the batteries, disconnect or reduce the load, or install higher capacity batteries. Fit shorter and/or thicker battery cables.
"Low battery" and "overload" LEDs flash simultaneously.	Ripple voltage on the DC connection exceeds 1,5Vrms.	Check the battery cables and battery connections. Check whether battery capacity is sufficiently high, and increase this if necessary.
"Low battery" and "overload" LEDs light.	The inverter is switched off due to an excessively high ripple voltage on the input.	Install batteries with a larger capacity. Fit shorter and/or thicker battery cables, and reset the inverter (switch off, and then on again).
One alarm LED lights and the second flashes.	The inverter is switched off due to alarm activation by the lighted LED. The flashing LED indicates that the inverter was about to switch off due to the related alarm.	Check this table for appropriate measures in regard to this alarm state.
The charger does not operate.	The AC input voltage or frequency is not within the range set.	Ensure that the AC input is between 95 VAC and 140 VAC, and that the frequency is within the range set (default setting 45-65Hz).
	Circuit breaker or fuse in the AC-in input is open as a result of overload. The battery fuse has blown.	Remove overload or short circuit on AC-out-1 or AC-out-2, and reset fuse/breaker. Replace the battery fuse.
	The distortion or the AC input voltage is too large (generally generator supply).	Turn the settings WeakAC and dynamic current limiter on.
The charger does not operate. "Bulk" LED flashes and "Mains on" LED illuminates.	MultiPlus is in "Bulk protection" mode thus, the maximum bulk charging time of 10 hours is exceeded. Such a long charging time could indicate a system error (e.g. a battery cell short-circuit).	Check your batteries. NOTE: You can reset the error mode by switching off and back on the MultiPlus. The standard MultiPlus factory setting of the "Bulk protection" mode is switched on. The "Bulk protection" mode can be switched off with help of VEConfigure only.
The battery is not completely charged.	Charging current excessively high, causing premature absorption phase.	Set the charging current to a level between 0.1 and 0.2 times the battery capacity.
	Poor battery connection.	Check the battery connections.
	The absorption voltage has been set to an incorrect level (too low).	Set the absorption voltage to the correct level.
	The float voltage has been set to an incorrect level (too low).	Set the float voltage to the correct level.
	The available charging time is too short to fully charge the battery.	Select a longer charging time or higher charging current.
The battery is overcharged.	The absorption time is too short. For adaptive charging this can be caused by an extremely high charging current with respect to battery capacity, so that bulk time is insufficient.	Reduce the charging current or select the 'fixed' charging characteristics.
	The absorption voltage is set to an incorrect level (too high).	Set the absorption voltage to the correct level.
	The float voltage is set to an incorrect level (too high).	Set the float voltage to the correct level.

	Poor battery condition.	Replace the battery.
	The battery temperature is too high (due to poor ventilation, excessively high environmental temperature, or excessively high charging current).	Improve ventilation, install batteries in a cooler environment, reduce the charging current, and connect the temperature sensor.
The charging current drops to 0 as soon as the absorption phase initiates.	The battery is over-heated (>50°C)	Install the battery in a cooler environment Reduce the charging current Check whether one of the battery cells has an internal short circuit
	Defective battery temperature sensor	Disconnect the temperature sensor plug in the Quattro. If charging functions correctly after approximately 1 minute, the temperature sensor should be replaced.

7.2 Special LED indications

(for the normal LED indications, see section 3.4)

Bulk and absorption LEDs flash synchronously (simultaneously).	Voltage sense error. The voltage measured at the voltage sense connection deviates too much (more than 7V) from the voltage on the positive and negative connection of the device. There is probably a connection error. The device will remain in normal operation. NOTE: If the "inverter on" LED flashes in phase opposition, this is a VE.Bus error code (see further on).
Absorption and float LEDs flash synchronously (simultaneously).	The battery temperature as measured has an extremely unlikely value. The sensor is probably defective or has been incorrectly connected. The device will remain in normal operation. NOTE: If the "inverter on" LED flashes in phase opposition, this is a VE.Bus error code (see further on).
"Mains on" flashes and there is no output voltage.	The device is in "charger only" operation and mains supply is present. The device rejects the mains supply or is still synchronising.

7.3 VE.Bus LED indications

Equipment included in a VE.Bus system (a parallel or 3-phase arrangement) can provide so-called VE.Bus LED indications. These LED indications can be subdivided into two groups: OK codes and error codes.

7.3.1 VE.Bus OK codes

If the internal status of a device is in order but the device cannot yet be started because one or more other devices in the system indicate an error status, the devices that are in order will indicate an OK code. This facilitates error tracing in a VE.Bus system, since devices not requiring attention are easily identified as such.

Important: OK codes will only be displayed if a device is not in inverter or charging operation!

- A flashing "bulk" LED indicates that the device can perform inverter operation.
- A flashing "float" LED indicates that the device can perform charging operation.

NOTE: In principle, all other LEDs must be off. If this is not the case, the code is not an OK code. However, the following exceptions apply:

- The special LED indications above can occur together with the OK codes.
- The "low battery" LED can function together with the OK code that indicates that the device can charge.

7.3.2 VE.Bus error codes

A VE.Bus system can display various error codes. These codes are displayed with the "inverter on", "bulk", "absorption" and "float" LEDs.

To interpret a VE.Bus error code correctly, the following procedure should be followed:

1. The device should be in error (no AC output).
2. Is the "inverter on" LED flashing? If not, then there is **no** VE.Bus error code.
3. If one or more of the LEDs "bulk", "absorption" or "float" flashes, then this flash must be in phase opposition to the "inverter on" LED, i.e. the flashing LEDs are off if the "inverter on" LED is on, and vice versa. If this is not the case, then there is **no** VE.Bus error code.
4. Check the "bulk" LED, and determine which of the three tables below should be used.
5. Select the correct column and row (depending on the "absorption" and "float" LEDs), and determine the error code.
6. Determine the meaning of the code in the tables below.

		Bulk LED off			Bulk LED flashes			Bulk LED on		
		Absorption LED			Absorption LED			Absorption LED		
		off	flashing	On	off	flashing	on	off	flashing	on
Float LED	off	0	3	6	9	12	15	18	21	24
	flashing	1	4	7	10	13	16	19	22	25
	on	2	5	8	11	14	17	20	23	26

Bulk LED Absorption LED Float LED	Code	Meaning:	Cause/solution:
○ ○ ✱	1	Device is switched off because one of the other phases in the system has switched off.	Check the failing phase.
○ ✱ ○	3	Not all, or more than, the expected devices were found in the system.	The system is not properly configured. Reconfigure the system. Communication cable error. Check the cables and switch all equipment off, and then on again.
○ ✱ ✱	4	No other device whatsoever detected.	Check the communication cables.
○ ✱ ✱ ✱	5	Overvoltage on AC-out.	Check the AC cables.
○ ✱ ✱	10	System time synchronisation problem occurred.	Should not occur in correctly installed equipment. Check the communication cables.
✱ ✱ ✱ ✱	14	Device cannot transmit data.	Check the communication cables (there may be a short circuit).
✱ ✱ ✱ ✱	16	System is switched off because it is a so-called extended system and a 'dongle' is not connected.	Connect dongle.
✱ ✱ ✱ ✱	17	One of the devices has assumed 'master' status because the original master failed.	Check the failing unit. Check the communication cables.
○ ○ ✱	18	Overvoltage has occurred.	Check AC cables.
✱ ✱ ✱ ✱	22	This device cannot function as 'slave'.	This device is an obsolete and unsuitable model. It should be replaced.
✱ ✱ ○	24	Switch-over system protection initiated.	Should not occur in correctly installed equipment. Switch all equipment off, and then on again. If the problem recurs, check the installation.
✱ ✱ ✱	25	Firmware incompatibility. The firmware of one the connected devices is not sufficiently up to date to operate in conjunction with this device.	1) Switch all equipment off. 2) Switch the device returning this error message on. 3) Switch on all other devices one by one until the error message reoccurs. 4) Update the firmware in the last device that was switched on.
✱ ✱ ✱	26	Internal error.	Should not occur. Switch all equipment off, and then on again. Contact Victron Energy if the problem persists.

8. TECHNICAL SPECIFICATION

Quattro	12/5000/220-100/100 120V	24/5000/120-100/100 120V	48/5000/70-100/100 120V
PowerControl / PowerAssist	Yes		
Integrated Transfer switch	Yes		
AC inputs (2x)	Input voltage range: 90-140 VAC		Input frequency: 45 – 65 Hz
Maximum feed through current (A)	AC-in-1: 100A		AC-in-2: 100A
Minimum PowerAssist current (A)	AC-in-1: 18A		AC-in-2: 18A
INVERTER			
Input voltage range (V DC)	9,5 – 17	19 – 33	38 – 66
Output (1)	Output voltage: 120 VAC ± 2%		Frequency: 60 Hz ± 0,1%
Cont. output power at 25°C (VA) (3)	5000	5000	5000
Cont. output power at 25°C (W)	4000	4000	4000
Cont. output power at 40°C (W)	3700	3700	3700
Cont. output power at 65°C (W)	3000	3000	3000
Peak power (W)	10000	10000	10000
Maximum efficiency (%)	90	91	92
Zero-load power (W)	30	30	35
Zero load power in AES mode (W)	20	25	30
Zero load power in Search mode (W)	10	10	15
CHARGER			
Charge voltage 'absorption' (V DC)	14,4	28,8	57,6
Charge voltage 'float' (V DC)	13,8	27,6	55,2
Storage mode (V DC)	13,2	26,4	52,8
Charge current house battery (A) (4)	220	120	70
Charge current starter battery (A)	4	4	
Battery temperature sensor	yes		
GENERAL			
Auxiliary AC output	Max load: 50A Switches off when in inverter mode		
Programmable relay (5)	Yes, 3x		
Protection (2)	a - g		
VE.Bus communication port	For parallel and three phase operation, remote monitoring and system integration		
General purpose comm. port	Yes, 2x		
Common Characteristics	Operating temp.: -40 to +65°C (fan assisted cooling)		Humidity (non condensing): max 95%
ENCLOSURE			
Common Characteristics	Material & Colour: aluminium (blue RAL 5012)		Protection: IP 21
Battery-connection	Four M8 bolts (2 plus and 2 minus connections)		
120 V AC-connection	M6 bolts		
Weight (kg)	101 lb		46 kg
Dimensions (hwxwd in mm)	18,3 x 13,7 x 11 inch		464 x 348 x 280 mm
STANDARDS			
Safety	EN 60335-1, EN 60335-2-29		
Emission / Immunity	EN 55014-1, EN 55014-2, EN 61000-3-3		

1) Can be adjusted to 50 Hz

2) Protection

- a. Output short circuit
- b. Overload
- c. Battery voltage too high
- d. Battery voltage too low
- e. Temperature too high
- f. 120VAC on inverter output
- g. Input voltage ripple too high

3) Non linear load, crest factor 3:1

4) At 25 °C ambient

5) Programmable relays which can be set for general alarm, DC undervoltage or genset start signal function

AC rating: 120V/4A

DC rating: 4A up to 35VDC, 1A up to 60VDC

1. INSTRUCCIONES DE SEGURIDAD

En general

Lea en primer lugar la documentación que acompaña al producto para familiarizarse con las indicaciones de seguridad y las instrucciones antes de utilizarlo.

Este producto se ha diseñado y comprobado de acuerdo con los estándares internacionales. El equipo debe utilizarse exclusivamente para la aplicación prevista.

ADVERTENCIA: PELIGRO DE DESCARGA ELÉCTRICA

El producto se usa junto con una fuente de alimentación permanente (batería). Aunque el equipo esté apagado, puede producirse una tensión eléctrica peligrosa en los terminales de entrada y salida. Apague siempre la alimentación CA y desconecte la batería antes de realizar tareas de mantenimiento.

El producto no contiene piezas en su interior que puedan ser manipuladas por el usuario. No retire el panel frontal ni ponga el producto en funcionamiento si no están colocados todos los paneles. Las operaciones de mantenimiento deben ser realizadas por personal cualificado.

No utilice nunca el equipo en lugares donde puedan producirse explosiones de gas o polvo. Consulte las especificaciones suministradas por el fabricante de la batería para asegurarse de que puede utilizarse con este producto. Las instrucciones de seguridad del fabricante de la batería deben tenerse siempre en cuenta.

AVISO: no levante objetos pesados sin ayuda.

Instalación

Lea las instrucciones antes de comenzar la instalación.

Este producto es un dispositivo de clase de seguridad I (suministrado con terminal de puesta a tierra para seguridad). **Sus terminales de salida CA deben estar puestos a tierra continuamente por motivo de seguridad. Hay otro punto de puesta a tierra adicional en la parte exterior del producto.** Si se sospecha que la puesta a tierra está dañada, el equipo debe desconectarse y evitar que se pueda volver a poner en marcha de forma accidental; póngase en contacto con personal técnico cualificado.

Compruebe que los cables de conexión disponen de fusibles y disyuntores. No sustituya nunca un dispositivo de protección por un componente de otro tipo. Consulte en el manual las piezas correctas.

Antes de encender el dispositivo compruebe si la fuente de alimentación cumple los requisitos de configuración del producto descritos en el manual.

Compruebe que el equipo se utiliza en condiciones de funcionamiento adecuadas. No lo utilice en un ambiente húmedo o con polvo.

Compruebe que hay suficiente espacio alrededor del producto para su ventilación y que los orificios de ventilación no estén bloqueados.

Instale el producto en un entorno a prueba del calor. Compruebe que no haya productos químicos, piezas de plástico, cortinas u otros textiles, etc., en las inmediaciones del equipo.

Transporte y almacenamiento

Para transportar o almacenar el producto, asegúrese de que los cables de alimentación principal y de la batería estén desconectados.

No se aceptará ninguna responsabilidad por los daños producidos durante el transporte si el equipo no lleva su embalaje original.

Guarde el producto en un entorno seco, la temperatura de almacenamiento debe oscilar entre -20°C y 60°C .

Consulte el manual del fabricante de la batería para obtener información sobre el transporte, almacenamiento, recarga y eliminación de la batería.

2. DESCRIPCIÓN

2.1 En general

La base del Quattro es un inversor sinusoidal extremadamente potente, cargador de batería y conmutador automático en una carcasa compacta.

El Quattro presenta las siguientes características adicionales, muchas de ellas exclusivas:

Dos entradas CA; sistema de conmutación integrado entre tensión de pantalán y del grupo generador

El Quattro tiene dos entradas CA (AC-in-1 y AC-in-2) para conexión de dos fuentes de tensión independientes. Por ejemplo, dos grupos de generadores o alimentación de la red y un grupo generador. El Quattro selecciona automáticamente la entrada donde hay tensión.

Si hay tensión en ambas entradas, el Quattro selecciona la entrada AC-in-1, a la que normalmente se conecta el grupo generador.

Dos salidas CA

Además de la salida ininterrumpida habitual (AC-out-1), hay una segunda salida (AC-out-2) que desconecta su carga en caso de funcionamiento con batería. Ejemplo: hay una caldera eléctrica que sólo funciona con el grupo generador en marcha o con corriente de pantalán.

Conmutación automática e ininterrumpida

En caso de fallo de la alimentación o cuando se apaga el grupo generador, el Quattro cambiará a funcionamiento de inversor y se encargará del suministro de los dispositivos conectados. Esta operación es tan rápida que el funcionamiento de ordenadores y otros dispositivos eléctricos no se ve interrumpido (Sistema de alimentación ininterrumpida o SAI). El Quattro resulta pues muy adecuado como sistema de alimentación de emergencia en aplicaciones industriales y de telecomunicaciones.

Potencia prácticamente ilimitada gracias al funcionamiento en paralelo

Hasta 6 Quattro pueden funcionar en paralelo. Diez unidades 48/10000/140, por ejemplo, darán una potencia de salida de 40 kW/50 kVA y una capacidad de carga de 700 amperios.

Capacidad de funcionamiento trifásico

Se pueden configurar tres unidades para salida trifásica. Pero eso no es todo: hasta 6 grupos de tres unidades pueden conectarse en paralelo para lograr una potencia del inversor de 120kW/150 kVA y más de 2000A de capacidad de carga.

PowerControl – máximo uso de la corriente de red cuando es limitada

El Quattro puede generar una enorme corriente de carga. Esto supone una sobrecarga de la conexión del pantalán o del grupo generador. Para ambas entradas CA, por tanto, se puede establecer una corriente mínima. El Quattro tiene en cuenta otros usuarios de corriente y sólo usa la corriente "excedente" para cargar.

- La entrada AC-in-1, a la que normalmente se conecta el grupo generador, puede establecerse en un máximo fijo con los conmutadores DIP, con VE.Net o con un PC, para que el grupo generador no se sobrecargue nunca.

- La entrada AC-in-2 también se puede configurar con un valor máximo fijo. En aplicaciones móviles (embarcaciones, vehículos), no obstante, se seleccionará un valor variable desde el panel Multi Control. De esta forma, la corriente máxima se puede adaptar a la corriente de red disponible con extrema facilidad.

PowerAssist – Uso ampliado del grupo generador y corriente de red: función Quattro “cosuministro”

El Quattro funciona en paralelo con el grupo generador o la conexión del pantalán. La falta de corriente se compensa de forma automática: el Quattro extrae potencia de la batería y sirve de ayuda. El exceso de corriente se utiliza para recargar la batería.

Tres relés programables

El Quattro dispone de 3 relés programables. Estos relés puede programarse para cualquier tipo de aplicación, por ejemplo como relé de arranque para un grupo generador.

Dos puertos analógicos

El Quattro dispone de 2 puertos analógicos.

Estos puertos pueden usarse para distintos fines. Una aplicación, por ejemplo, sería la de comunicarse con el BMS o con una batería de Litio-Ion.

Cambio de frecuencia

Cuando los inversores solares están conectados a la salida de un Multi o de un Quattro, el excedente de energía solar se utiliza para recargar las baterías. Una vez alcanzada la tensión de absorción, el Multi o Quattro detendrán el inversor solar cambiando la frecuencia de salida en 1Hz (de 50Hz a 51Hz, por ejemplo). Cuando la tensión de la batería haya caído ligeramente, la frecuencia volverá a su valor normal y los inversores solares volverán a funcionar.

Monitor de baterías integrado

La solución ideal cuando un Multi, o un Quattro, forma parte de un sistema híbrido (generador diesel, inversor/cargadores, batería acumuladora y energía alternativa). El monitor de baterías integrado puede configurarse para arrancar y detener el generador.

- Arrancar cuando se alcance un % de descarga predeterminado, y/o
- arrancar (con una demora preestablecida) cuando se alcance una tensión de la batería predeterminada, y/o
- arrancar (con una demora preestablecida) cuando se alcance un nivel de carga predeterminado.
- Detener cuando se alcance una tensión de la batería predeterminada, o
- detener (con un tiempo de demora preestablecido) una vez completada la fase de carga "bulk", y/o
- detener (con una demora preestablecida) cuando se alcance un nivel de carga predeterminado.



Energía solar

El Quattro es perfecto para las aplicaciones de energía solar. Puede utilizarse para construir sistemas autónomos así como sistemas acoplados a la red.

Alimentación de emergencia o funcionamiento autónomo cuando falla la red eléctrica

Las casas o edificios provistos de paneles solares o una micro central eléctrica (una caldera para calefacción central que genera energía) u otras fuentes de energías sostenibles tienen un suministro de energía autónoma potencial que puede utilizarse para alimentar equipos esenciales (bombas de calefacción central, refrigeradores, congeladores, conexiones de Internet, etc.) cuando hay fallos de alimentación. Sin embargo, suele suceder que los paneles solares acoplados a la red y/o la calefacción y microcentrales eléctricas suelen caerse cuando falla la alimentación de red. Con un Quattro y baterías se puede solucionar este problema de forma sencilla: Quattro puede sustituir la alimentación de red durante un fallo de alimentación. Cuando las fuentes de energía alternativas producen más potencia de la necesaria, Quattro utilizará el excedente para cargar las baterías; en caso de potencia insuficiente, Quattro suministrará alimentación adicional de los recursos energéticos de sus baterías.

Programable con conmutadores DIP, panel VE.Net u ordenador personal

El Quattro se suministra listo para usar. Hay tres funciones para cambiar determinados ajustes si se desea:

Los ajustes más importantes (incluyendo el funcionamiento en paralelo de hasta tres dispositivos y el funcionamiento trifásico) se puede cambiar muy fácilmente con los conmutadores DIP del Quattro.

- Todos los valores, con la excepción del relé programable, pueden cambiarse con un panel VE.Net.

- Todos los valores se pueden cambiar con un PC y el software gratuito que se puede descargar desde nuestro sitio web www.victronenergy.com

2.2 Cargador de batería

Carga variable de 4 etapas: inicial – absorción – flotación - almacenamiento

El sistema de gestión de baterías variable activado por microprocesador puede ajustarse a distintos tipos de baterías. La función variable adapta automáticamente el proceso de carga al uso de la batería.

La cantidad de carga correcta: tiempo de absorción variable

En caso de una ligera descarga de la batería, la absorción se reduce para evitar sobrecargas y una formación excesiva de gases. Después de una descarga profunda, el tiempo de absorción se amplía automáticamente para cargar la batería completamente.

Prevención de daños por un exceso de gaseado: el modo BatterySafe

Si, para cargar una batería rápidamente, se ha elegido una combinación de alta corriente de carga con una tensión de absorción alta, se evitará que se produzcan daños por exceso de gaseado limitando automáticamente el ritmo de incremento de tensión una vez se haya alcanzado la tensión de gaseado.

Menor envejecimiento y necesidad de mantenimiento cuando la batería no está en uso: el modo de almacenamiento

El modo de almacenamiento se activa cuando la batería no ha sufrido ninguna descarga en 24 horas. En el modo de almacenamiento, la tensión de flotación se reduce a 2,2V/celda (13,2V para baterías de 12V) para reducir el gaseado y la corrosión de las placas positivas. Una vez a la semana, se vuelve a subir la tensión a nivel de absorción para "igualar" la batería. Esta función evita la estratificación del electrolito y la sulfatación, las causas principales de los fallos en las baterías.

Dos salidas CC para cargar dos baterías

El terminal CC principal puede suministrar la totalidad de la corriente de salida. La segunda salida, pensada para cargar una batería de arranque, se limita a 4 A y tiene una tensión de salida ligeramente menor.

Incremento de la vida útil de la batería: compensación de temperatura

El sensor de temperatura (suministrado con el producto) sirve para reducir la tensión de carga cuando la temperatura de la batería sube. Esto es muy importante para las baterías sin mantenimiento que de otro modo se secarían por sobrecarga.

Sonda de tensión de la batería: la tensión de carga adecuada

La pérdida de tensión debido a la resistencia del cable puede compensarse utilizando la sonda de tensión para medir la misma directamente en el bus CC o en los terminales de la batería.

Más información sobre baterías y cargas

Nuestro libro "Energy Unlimited" ofrece más información sobre baterías y carga de baterías y puede conseguirse gratuitamente en nuestro sitio web (www.victronenergy.com -> Asistencia y descargas -> Información técnica general). Para más información sobre carga variable, le rogamos consulte el apartado Información técnica general de nuestro sitio web.

2.3 Autoconsumo - sistemas de almacenamiento de energía solar

Si el Multi/Quattro se usa con una configuración en la que revertirá energía a la red eléctrica, se debe habilitar el código de conformidad con la red seleccionando con la herramienta VEConfigure el ajuste de código de conformidad con la red correspondiente al país.

De esta forma, el Multi/Quattro cumplirá las normativas locales.

Una vez configurado, se necesitará una contraseña para deshabilitar el código de cumplimiento con la red o cambiar parámetros relativos a dicho código.

Si el código de la red eléctrica local no es compatible con el Multi/Quattro, se deberá utilizar un dispositivo de interfaz externo certificado para conectar el Multi/Quattro a la red.

El Multi/Quattro también puede utilizarse como inversor bidireccional funcionando en paralelo a la red, integrado en un sistema personalizado (PLC u otro) que se ocupa del bucle de control y de la medición de la red, consulte

http://www.victronenergy.com/live/system_integration:hub4_grid_parallel



3. FUNCIONAMIENTO

3.1 Conmutador “On/Off/Charger Only”

Al poner el conmutador en “on”, el producto es plenamente operativo. El inversor se pone en marcha y el LED “inverter on” (inversor activado) se enciende.

Una tensión CA conectada al terminal “AC-in” (CA de entrada) se conmutará a través del terminal “AC-out”, (CA de salida) si está dentro de las especificaciones. El inversor se apagará, el LED “mains on” (red activada) se encenderá y el cargador empezará a cargar. Los LED “bulk” (inicial), “absorption” (absorción) o “float” (carga lenta) se encenderán, según el estado del cargador.

Si la tensión en el terminal “AC-in” se rechaza, el inversor se encenderá.

Cuando el conmutador se pone en “charger only” (cargador sólo), sólo funcionará el cargador de batería del Quattro (si hay tensión de la red). En este modo, la tensión de entrada también se conmuta al terminal de salida “AC-out”.

NOTA: Cuando sólo necesite la función de carga, asegúrese de que el conmutador está en “charger only”. Esto hará que no se active el inversor si se pierde la tensión de la red, evitando así que sus baterías se queden sin carga.

3.2 Control remoto

Es posible utilizar un control remoto con un interruptor de tres vías o con UN panel Multi Control.

El panel de Multi Control tiene un selector giratorio con el que se puede fijar la corriente máxima de entrada CA: ver PowerControl y PowerAssist en la Sección 2.

3.3 Ecuilización y absorción forzada

3.3.1 Ecuilización

Las baterías de tracción necesitan cargarse de forma regular. En modo ecuilización, el Quattro cargará con mayor tensión durante una hora (1 V sobre la tensión de absorción para una batería de 12 V, 2 V para una batería de 24 V), y con una corriente de carga limitada a 1/4 del valor establecido. **Los LED “bulk” (inicial) y “absorption” (absorción) parpadean alternativamente.**



El modo de ecuilización suministra una tensión de carga superior de la que pueden soportar la mayoría de los dispositivos que consumen CC. Estos dispositivos deben desconectarse antes de proceder a la carga adicional.

3.3.2 Absorción forzada

En determinadas circunstancias puede ser mejor cargar la batería durante un tiempo fijo al nivel de tensión de absorción. En el modo absorción fija, Quattro cargará al nivel normal de tensión de absorción durante el máximo tiempo de absorción establecido. **El LED “absorción” se ilumina.**

3.3.3 Activación de la ecuilización o absorción forzada

El Quattro puede ponerse en ambos estados desde el panel remoto así como con el conmutador del panel frontal, siempre que todos los conmutadores (frontal, remoto y panel) estén “activados” y ninguno de ellos esté en “cargador sólo”.

Para poner Quattro en este estado, hay que seguir el procedimiento que se indica a continuación.

Si el conmutador no está en la posición deseada después de hacer este procedimiento, puede volver a cambiarse rápidamente una vez. De esta forma no se cambiará el estado de carga-

NOTA: El cambio de “activado” a “cargador sólo” y viceversa, como se describe a continuación, debe hacerse rápidamente. El conmutador debe girarse de forma que la posición intermedia se “salte”, por así decirlo. Si el conmutador permaneciera en la posición “off” aunque sólo sea un momento, el dispositivo podría apagarse. En este caso, deberá reiniciarse el procedimiento a partir del paso 1. Se necesita un cierto grado de familiarización al usar el conmutador frontal en particular. Cuando se usa el panel remoto, esto no es tan importante.


Procedimiento:

- Compruebe que todos los conmutadores (es decir, conmutador frontal, remoto o el panel remoto en su caso) están en la posición “on” (activado).
- La activación de la ecuilización o de la absorción forzada sólo tiene sentido si se ha completado el ciclo de carga normal (el cargador está en “Float” (carga lenta)).
- Para activar:
 - a. Cambie rápidamente de “on” a “charger only” y deje el conmutador en esta posición entre 0,5 y 2 segundos.
 - b. Vuelva a cambiar rápidamente de “charger only” a “on” y deje el conmutador en esta posición entre 0,5 y 2 segundos.
 - c. Vuelva a cambiar una vez más de “on” a “charger only” y deje el conmutador en esta posición.
- En el Quattro (y, si estuviera conectado, en el panel MultiControl) parpadearán 5 veces los LED “Bulk”, “Absorption” y “Float”.
- A continuación, cada uno de los LED “Bulk”, “Absorption” y “Float” se encenderán dos segundos.
 - a. Si el interruptor está en “on” mientras se enciende el LED “Bulk”, el cargador conmutará a modo ecuilización.
 - b. Si el interruptor está en “on” mientras se enciende el LED “Absorption”, el cargador conmutará a absorción forzada.
 - c. Si el interruptor está en “on” después de que la secuencia de tres LED termine, el cargador conmutará a “Float”.
 - d. Si el interruptor no se ha movido, el Quattro permanecerá en modo “charger only” (cargador sólo) y conmutará a “Float”.


3.4 Indicaciones de los LED y significado

- LED apagado
- LED intermitente
- LED encendido


Inversor

charger		inverter	
<input type="radio"/> mains on	on	<input checked="" type="radio"/> inverter on	
<input type="radio"/> bulk	 off	<input type="radio"/> overload	
<input type="radio"/> absorption		<input type="radio"/> low battery	
<input type="radio"/> float	charger only	<input type="radio"/> temperature	


El inversor está encendido y suministra energía a la carga.

charger		inverter	
<input type="radio"/> mains on	on	<input checked="" type="radio"/> inverter on	
<input type="radio"/> bulk	 off	<input checked="" type="radio"/> overload	
<input type="radio"/> absorption		<input type="radio"/> low battery	
<input type="radio"/> float	charger only	<input type="radio"/> temperature	


Se ha excedido la potencial nominal del inversor. El LED indicador de "sobrecarga" parpadea.

charger		inverter	
<input type="radio"/> mains on	on	<input type="radio"/> inverter on	
<input type="radio"/> bulk	 off	<input checked="" type="radio"/> overload	
<input type="radio"/> absorption		<input type="radio"/> low battery	
<input type="radio"/> float	charger only	<input type="radio"/> temperature	


El inversor se ha parado debido a una sobrecarga o cortocircuito.

charger		inverter	
<input type="radio"/> mains on	on	<input checked="" type="radio"/> inverter on	
<input type="radio"/> bulk	 off	<input type="radio"/> overload	
<input type="radio"/> absorption		<input checked="" type="radio"/> low battery	
<input type="radio"/> float	charger only	<input type="radio"/> temperature	

La batería está casi vacía.

charger		inverter	
<input type="radio"/> mains on	on	<input type="radio"/> inverter on	
<input type="radio"/> bulk	 off	<input type="radio"/> overload	
<input type="radio"/> absorption		<input checked="" type="radio"/> low battery	
<input type="radio"/> float	charger only	<input type="radio"/> temperature	

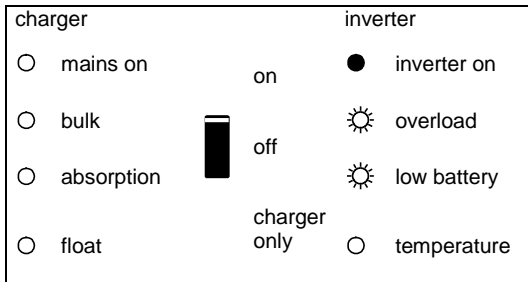
El inversor se ha parado debido a la baja tensión de la batería.

charger		inverter	
<input type="radio"/> mains on	on	<input checked="" type="radio"/> inverter on	
<input type="radio"/> bulk	 off	<input type="radio"/> overload	
<input type="radio"/> absorption		<input type="radio"/> low battery	
<input type="radio"/> float	charger only	<input checked="" type="radio"/> temperature	

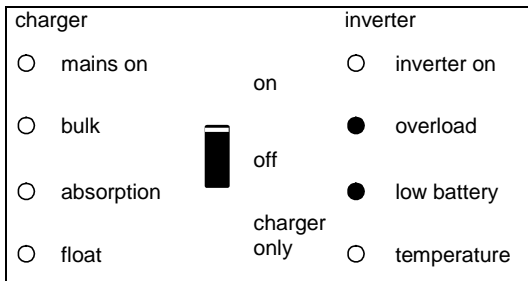
La temperatura interna está alcanzando un nivel crítico.



El conversor se para debido al exceso de temperatura interna.



- Si los LED parpadean de manera alterna, la batería está casi vacía y se ha superado la potencia nominal.
 -Si "overload" y "low battery" parpadean simultáneamente, es que hay una tensión de ondulación demasiado alta en la conexión de la batería



El inversor se para debido al exceso de tensión de ondulación en la conexión de la batería.

Cargador de batería

charger		inverter	
<input checked="" type="radio"/> mains on	on	<input type="radio"/> inverter on	
<input checked="" type="radio"/> bulk	off	<input type="radio"/> overload	
<input type="radio"/> absorption	charger only	<input type="radio"/> low battery	
<input type="radio"/> float		<input type="radio"/> temperature	

La tensión CA en AC-in-1 o en AC-in-2 se conmuta y el cargador funciona en modo carga inicial.

charger		inverter	
<input checked="" type="radio"/> mains on	on	<input type="radio"/> inverter on	
<input checked="" type="radio"/> bulk	off	<input type="radio"/> overload	
<input checked="" type="radio"/> absorption	charger only	<input type="radio"/> low battery	
<input type="radio"/> float		<input type="radio"/> temperature	

La tensión CA en AC-in-1 o en AC-in-2 se activa y el cargador funciona, pero todavía no se ha alcanzado la tensión de absorción fijada (modo de protección de batería)

charger		inverter	
<input checked="" type="radio"/> mains on	on	<input type="radio"/> inverter on	
<input type="radio"/> bulk	off	<input type="radio"/> overload	
<input checked="" type="radio"/> absorption	charger only	<input type="radio"/> low battery	
<input type="radio"/> float		<input type="radio"/> temperature	

La tensión CA en AC-in-1 o en AC-in-2 se activa y el cargador funciona en fase de absorción.

charger		inverter	
<input checked="" type="radio"/> mains on	on	<input type="radio"/> inverter on	
<input type="radio"/> bulk	off	<input type="radio"/> overload	
<input type="radio"/> absorption	charger only	<input type="radio"/> low battery	
<input checked="" type="radio"/> float		<input type="radio"/> temperature	

La tensión CA en AC-in-1 o en AC-in-2 se activa y el cargador funciona en fase de flotación o almacenamiento.

charger		inverter	
<input checked="" type="radio"/> mains on	on	<input type="radio"/> inverter on	
<input checked="" type="radio"/> bulk	off	<input type="radio"/> overload	
<input checked="" type="radio"/> absorption	charger only	<input type="radio"/> low battery	
<input type="radio"/> float		<input type="radio"/> temperature	

La tensión CA en AC-in-1 o en AC-in-2 se activa y el cargador funciona en modo de equalización.

Indicaciones especiales

Fijadas con corriente de entrada limitada

charger		inverter	
<input checked="" type="radio"/> mains on	<input type="radio"/> on	<input type="radio"/> inverter on	
<input type="radio"/> bulk	<input type="radio"/> off	<input type="radio"/> overload	
<input type="radio"/> absorption	<input type="radio"/> charger only	<input type="radio"/> low battery	
<input type="radio"/> float		<input type="radio"/> temperature	

Sólo ocurre si el Power Assist está desactivado.

La tensión CA en AC1-in-1 o AC-in-2 se activa. La corriente de entrada CA es igual a la corriente de carga. El cargador queda limitado a 0 A.

Configurado para suministrar corriente adicional

charger		inverter	
<input checked="" type="radio"/> mains on	<input type="radio"/> on	<input checked="" type="radio"/> inverter on	
<input type="radio"/> bulk	<input type="radio"/> off	<input type="radio"/> overload	
<input type="radio"/> absorption	<input type="radio"/> charger only	<input type="radio"/> low battery	
<input type="radio"/> float		<input type="radio"/> temperature	

La tensión CA en AC-in-1 o AC-in-2 se activa, pero la carga demanda más corriente de la que puede suministrar la red. El inversor se activa para suministrar la corriente adicional necesaria.

4. INSTALACIÓN



Este producto debe instalarse exclusivamente por un ingeniero eléctrico cualificado.

4.1 Ubicación

El Quattro debe instalarse en una zona seca y bien ventilada, tan cerca como sea posible de las baterías. El dispositivo debe tener un espacio libre alrededor de al menos 10 cm para refrigeración.



Una temperatura ambiente excesivamente alta tiene las siguientes consecuencias:

- ciclo de vida más corto
- corriente de carga inferior
- potencia pico inferior o desconexión del inversor.

Nunca coloque el aparato directamente sobre las baterías.

El Quattro puede montarse en la pared. Para su instalación, en la parte posterior de la carcasa hay dos agujeros y un gancho (ver apéndice G). El dispositivo puede colocarse horizontal o verticalmente. Para que la ventilación sea óptima es mejor colocarlo verticalmente.



La parte interior del dispositivo debe quedar accesible tras la instalación.

La distancia entre Quattro y la batería debe ser la menor posible para reducir al mínimo la pérdida de tensión en los cables.



Instale el producto en un entorno a prueba del calor. Compruebe que no haya productos químicos, piezas de plástico, cortinas u otros textiles junto al equipo.



El Quattro no tiene fusibles CC internos. El fusible CC debe instalarse fuera del Quattro.

4.2 Conexión de los cables de la batería

Para utilizar toda la capacidad del Quattro deben utilizarse baterías con capacidad suficiente y cables de batería de sección adecuada.

Consultar la tabla:

	12/5000/220	24/5000/120	48/5000/70
Capacidad de batería recomendada (Ah)	800-2400	400-1400	200-800
Fusible CC recomendado	750A	400A	200A
Sección recomendada (mm ²) para terminales + y -			
0 - 5 m*	2x 90 mm ²	2x 50 mm ²	1x 70 mm ²
5 -10 m*		2x 90 mm ²	2x 70 mm ²

* "2x" significa dos cables positivos y dos negativos.

Procedimiento

Para conectar los cables de batería siga el procedimiento descrito a continuación:



Utilice una llave dinamométrica aislada para no cortocircuitar la batería.
Torsión máxima: 11 Nm

- Retire el fusible CC.
- Afloje los cuatro tornillos del panel frontal inferior de la parte delantera de la unidad y retire el panel inferior.
- Conecte los cables de batería: + (rojo) al terminal derecho y - (negro) al terminal izquierdo (ver apéndice A).
- Apriete las conexiones después de montar las piezas de sujeción.
- Apriete bien las tuercas para que la resistencia de contacto sea mínima.
- Cambie el fusible CC sólo cuando haya terminado todo el procedimiento de instalación.

4.3 Conexión de los cables CA

El Quattro es un dispositivo de clase de seguridad I (suministrado con terminal de puesta a tierra para seguridad). **Los terminales de entrada y salida CA y la puesta a tierra de la parte exterior deben tener una toma de tierra continua por motivos de seguridad. Consulte las instrucciones siguientes.**

El Quattro dispone de un relé de puesta a tierra (ver apéndice) que **automáticamente conecta la salida N a la carcasa si no hay alimentación CA externa**. Si hay alimentación CA externa, el relé de puesta a tierra se abrirá antes de que el relé de seguridad se cierre (relé H en apéndice B). De esta forma se garantiza el funcionamiento correcto del disyuntor para las fugas a tierra que está conectado a la salida.



- En una instalación fija, se puede asegurar una puesta a tierra ininterrumpida mediante el cable de puesta a tierra de la entrada CA. En caso contrario, se deberá poner a tierra la carcasa.
- En una instalación móvil (por ejemplo con una toma de corriente de pantalán), la interrupción de la conexión del pantalán desconectará simultáneamente la conexión de puesta a tierra. En tal caso, la carcasa debe conectarse al chasis (del vehículo) o al casco o placa de toma de tierra (de la embarcación).
- En general, la conexión descrita más arriba para la puesta a tierra de la conexión del pantalán no se recomienda para embarcaciones debido a la corrosión galvánica. La solución es utilizar un transformador aislante.

AC-in-1 (ver apéndice A, torsión máxima: 6 Nm)

Si en estos terminales hay tensión CA, Quattro utilizará esta conexión. Normalmente se conectará un generador a AC-in-1. **La entrada CA-in-1 debe protegerse por medio de un fusible o de un disyuntor magnético de 100A o menos, llevando un cable con una sección suficiente.** Si la alimentación CA tuviese una capacidad nominal menor, la capacidad del fusible o disyuntor magnético también deberá reducirse.

AC-in-2 (ver apéndice A, torsión máxima: 6 Nm)

Si en estos terminales hay tensión CA, Quattro utilizará esta conexión, **a menos que también haya tensión en AC-in-1. El Quattro seleccionará automáticamente AC-in-1.** En general, el suministro de red o la tensión de pantalán se conectarán a AC-in-2.

La entrada CA-in-2 debe protegerse por medio de un fusible o de un disyuntor magnético de 100A o menos, llevando un cable con una sección suficiente. Si la alimentación CA tuviese una capacidad nominal menor, la capacidad del fusible o disyuntor magnético también deberá reducirse.

Nota: Puede que el Quattro no arranque si sólo hay CA en AC-in-2 y la tensión CC de la batería está un 10% o más por debajo de la tensión nominal (menos de 11 V en el caso de una batería de 12 V).

Solución: conecte el suministro CA a AC-in-1, o recargue la batería.

AC-out-1 (ver apéndice A, torsión máxima: 6 Nm)

El cable de salida CA puede conectarse directamente al bloque terminal "AC-out" (salida CA).

Gracias a su función PowerAssist, el Quattro puede añadir a la salida hasta 5kVA (esto es, $5,000 / 120 = 42A$) en momentos de gran demanda de potencia. Junto con una corriente de entrada máxima de 100A, significa que la salida puede suministrar hasta $100 + 42 = 142A$.

Debe incluirse un disyuntor para las fugas a tierra y un fusible o disyuntor capaz de soportar la carga esperada, en serie con la salida, y con una sección de cable adecuada. La potencia nominal máxima del fusible o disyuntor es de 142A.

AC-out-2 (ver apéndice A, torsión máxima: 6 Nm)

Hay una segunda salida que desconecta su carga en caso de funcionamiento con batería. En estos terminales, se conectan equipos **que sólo deberían funcionar si hay tensión CA en AC-in-1 o AC-in-2**, por ejemplo una caldera eléctrica o un aire acondicionado. La carga de AC-out-2 se desconecta inmediatamente cuando el Quattro cambia a funcionamiento con batería. Una vez que AC-in-1 o AC-in-2 disponen de CA, la carga en AC-out-2 se volverá a conectar, en un lapso de aproximadamente 2 minutos. Esto permite que se estabilice el generador.

AC-out-2 puede soportar cargas de hasta 50A. Se debe conectar en serie con AC-out-2 un disyuntor para fugas a tierra y un fusible o disyuntor de 50 A como máximo.

Procedimiento

Utilice un cable de tres hilos. Los terminales de conexión están claramente marcados:

PE: tierra

N: conductor neutro

L: fase/conductor con corriente

4.4 Opciones de conexión

4.4.1 Batería de arranque (terminal de conexión E, ver apéndice A)

El Quattro dispone de una conexión para cargar una batería de arranque. La corriente de salida se limita a 4 A. (no disponible en modelos de 48V)

4.4.2 Sonda de tensión (terminal de conexión E, ver apéndice A)

Para compensar las posibles pérdidas por cable durante la carga, se pueden conectar dos sondas con las que se mide la tensión directamente en la batería o en los puntos de distribución positivos y negativos. Use cable con una sección de al menos 0,75 mm².

Durante la carga de la batería, Quattro compensará la caída de tensión en los cables CC hasta un máximo de 1 voltio (es decir, 1 V en la conexión positiva y 1 V en la negativa). Si la caída de tensión puede ser superior a 1 V, la corriente de carga se limita de forma que la caída de tensión sigue siendo de 1 V.

4.4.3 Sensor de temperatura (terminal de conexión E, ver apéndice A)

Para cargas compensadas por temperatura, puede conectarse el sensor de temperatura (que se suministra con Quattro). El sensor está aislado y debe colocarse en el terminal negativo de la batería.

4.4.4 Control remoto

El Quattro puede manejarse de forma remota de dos maneras:

- Con un conmutador externo (terminal de conexión H, ver apéndice A). Sólo funciona si el conmutador del Quattro está "on".
- Con un panel de control remoto (conectado a una de las dos tomas B RJ48, ver apéndice A). Sólo funciona si el conmutador del Quattro está "on".

Usando el panel de control remoto, sólo se puede establecer el límite de corriente para AC-in-2 (respecto a PowerControl y PowerAssist).

El límite de corriente para AC-in-1 puede establecerse con los conmutadores DIP o mediante software.

Sólo se puede conectar un control remoto, es decir, o bien un conmutador o un panel de control remoto.

4.4.5. Relés programables (terminal de conexión I y E (K1 y K2), ver apéndice A.

El Quattro dispone de 3 relés programables. El relé que controla el terminal I está configurado como relé de alarma (por defecto). Los relés pueden programarse para cualquier tipo de aplicación, como por ejemplo arrancar un generador (se necesita el software del VEConfigure).

4.4.6 Puertos programables analógicos/digitales de entrada/salida

Estos puertos pueden usarse para distintos fines. Una aplicación, por ejemplo, sería la de comunicarse con el BMS o con una batería de Litio-Ion.

4.4.7 Salida CA auxiliar (AC-out-2)

Además de la salida ininterrumpida (AC-out-1), hay una segunda salida (AC-out-2) que desconecta su carga en caso de funcionamiento con batería. Por ejemplo: una caldera eléctrica o un aire acondicionado que sólo pueden funcionar si el generador está en marcha o hay corriente de pantalan.

En caso de funcionamiento con batería, AC-out-2 se desconectaría inmediatamente. Una vez dispongamos de nuevo de CA, AC-out-2 se volvería a conectar, con un lapso de unos 2 minutos que permite al generador estabilizarse antes de conectar una carga fuerte.

4.4.8 Conexión de Quattro en paralelo (ver apéndice C)

El Quattro puede conectarse en paralelo con varios dispositivos idénticos. Para ello se establece una conexión entre los dispositivos mediante cables RJ45 UTP estándar. El sistema (uno o más Quattro y un panel de control opcional) tendrá que configurarse posteriormente (ver Sección 5).

En el caso de conectar las unidades Quattro en paralelo, debe cumplir las siguientes condiciones:

- Un máximo de 6 unidades conectadas en paralelo.
- Sólo deben conectarse en paralelo dispositivos idénticos con la misma potencia nominal.
- La capacidad de la batería debe ser suficiente.
- Los cables de conexión CC a los dispositivos deben tener la misma longitud y sección.
- Si se utiliza un punto de distribución CC negativo y otro positivo, la sección de la conexión entre las baterías y el punto de distribución CC debe ser al menos igual a la suma de las secciones requeridas de las conexiones entre el punto de distribución y las unidades Quattro.
- Coloque las unidades Quattro juntas, pero deje al menos 10 cm para ventilación por debajo, encima y junto a las unidades.
- Los cables UTP deben conectarse directamente desde una unidad a la otra (y al panel remoto). No se permiten cajas de conexión/distribución.
- El sensor de temperatura de la batería sólo tiene que conectarse a una unidad del sistema. Si hay que medir la temperatura de varias baterías también se pueden conectar los sensores de otras unidades Quattro del sistema (con un máximo de un sensor por Quattro). La compensación de temperatura durante la carga de la batería responde al sensor que indique la máxima temperatura.
- El sensor de tensión debe conectarse al maestro (ver Sección 5.5.1.4).
- Sólo se puede conectar al sistema un dispositivo de control remoto (panel o conmutador).

4.4.9 Configuración trifásica (ver apéndice C)

Quattro también puede utilizarse en una configuración trifásica i griega (Y). Para ello, se hace una conexión entre dispositivos mediante cables RJ45 UTP estándar (igual que para el funcionamiento en paralelo). El sistema (Quattro y un panel de control opcional) tendrá que configurarse posteriormente (ver Sección 5).

Requisitos previos: ver Sección 4.4.8.

Nota: El Quattro no es adecuado para una configuración trifásica delta (Δ).



5. CONFIGURACIÓN



- Este producto debe modificarlo exclusivamente un ingeniero eléctrico cualificado.
- Lea las instrucciones atentamente antes de implementar los cambios.
- Durante el ajuste del cargador el fusible CC de las conexiones de la batería debe retirarse.

5.1 Valores estándar: listo para usar

El Quattro se entrega con los valores estándar de fábrica. Por lo general, estos valores son adecuados para el funcionamiento de una unidad.

Por tanto no hay que modificarlos en caso de uso autónomo.

Aviso: ¡Puede que la tensión estándar de carga de la batería no sea adecuada para sus baterías! ¡Consulte la documentación del fabricante o al proveedor de la batería!

Valores estándar de fábrica del Quattro

Frecuencia del inversor	60 Hz
Rango de frecuencia de entrada	45 - 65 Hz
Rango de tensión de entrada	94 - 143 VCA
Tensión del inversor	120 VCA
Autónomo/Paralelo/Trifásico	autónomo
Modo de búsqueda	off
Relé de puesta a tierra	on
Cargador on/off	on
Características de carga	variable de cuatro etapas con modo BatterySafe
Corriente de carga	75% de la corriente de carga máxima
Tipo de batería	Victron Gel Deep Discharge (también adecuada para Victron AGM Deep Discharge)
Carga con ecualización automática	off
Tensión de absorción	14,4 / 28,8 / 57,6 V
Tiempo de absorción	hasta 8 horas (según el tiempo de carga inicial)
Tensión de flotación	13,8 / 27,6 / 55,2 V
Tensión de almacenamiento	13,2 / 26,4 / 52,8V (no ajustable)
Tiempo de absorción repetida	1 hora
Intervalo de repetición de absorción	7 días
Protección de carga inicial	on
Generador (AC-in-1)/corriente de pantallón (AC-in-2)	60A/30A (ajuste por defecto, límite de corriente ajustable para las funciones PowerControl y PowerAssist)
Función SAI	on
Limitador de corriente dinámico	off
WeakAC	off
BoostFactor	2
Relé programable (3x)	función de alarma
PowerAssist	on
Puertos de entrada/salida analógicos/digitales	programables
Cambio de frecuencia	off
Monitor de baterías integrado	opcional

5.2 Explicación de los ajustes

A continuación se describen brevemente los ajustes que necesitan explicación. Para más información consulte la ayuda en pantalla de los programas de configuración de software (ver Sección 5.3).

Frecuencia del inversor

Frecuencia de salida si no hay CA en la entrada.

Ajustabilidad: 50Hz; 60Hz

Rango de frecuencia de entrada

Rango de frecuencia de entrada aceptado por Quattro. El Quattro sincroniza en este rango con la tensión presente en AC-in-1 (entrada prioritaria) o AC-in-2. Una vez sincronizado, la frecuencia de salida será igual a la frecuencia de entrada.

Ajustabilidad: 45 – 65 Hz; 45 – 55 Hz; 55 – 65 Hz

Rango de tensión de entrada

Rango de tensión aceptado por Quattro. El Quattro sincroniza en este rango con la tensión presente en AC-in-1 (entrada prioritaria) o en AC-in-2. Una vez cerrado el relé de retroalimentación, la tensión de salida será igual a la de entrada.

Ajustabilidad:

Límite inferior: 94 – 120V

Límite superior: 120 – 143V

Tensión del inversor

Tensión de salida del Quattro funcionando con batería.

Ajustabilidad: 95 – 128V



Funcionamiento autónomo/paralelo/ajuste bi-trifásico

Con varios dispositivos se puede:

- aumentar la potencia total del inversor (varios dispositivos en paralelo)
- crear un sistema de fase dividida (sólo para unidades Quattro con tensión de salida de 120 V)
- crear un sistema trifásico.

Para ello los dispositivos se deben conectar mutuamente con cables RJ45 UTP. Los valores estándar de los dispositivos sin embargo permiten a cada dispositivo funcionar de forma autónoma. Por tanto es necesario volver a configurar los dispositivos.

AES (conmutador de ahorro automático)

Si este parámetro está activado, el consumo de energía en funcionamiento sin carga y con carga baja disminuye aproximadamente un 20%, "estrechando" ligeramente la tensión sinusoidal. No ajustable con conmutadores DIP. Sólo aplicable para configuración autónoma.

Modo de búsqueda

Además del modo AES, también se puede seleccionar el modo de búsqueda (sólo con la ayuda del VEConfigure).

Si el modo de búsqueda está activado, el consumo en funcionamiento sin carga disminuye aproximadamente un 70%. En este modo el Quattro, cuando funciona en modo inversor, se apaga si no hay carga, o si hay muy poca, y se vuelve a conectar cada dos segundos durante un breve periodo de tiempo. Si la corriente de salida excede un nivel preestablecido, el inversor seguirá funcionando. En caso contrario, el inversor volverá a apagarse.

Los niveles de carga "shut down" (apagar) y "remain on" (permanecer encendido) del Modo de Búsqueda pueden configurarse con el VEConfigure.

Los ajustes estándar son:

Apagar: 40 Vatios (carga lineal)

Encender: 100 Vatios (carga lineal)

No ajustable con conmutadores DIP. Sólo aplicable para configuración autónoma.

Relé de puesta a tierra (ver apéndice B)

Con este relé (E), el conductor neutro de la salida CA se pone a tierra con la carcasa cuando los relés de seguridad de retroalimentación de las entradas AC-in-1 y AC-in-2 están abiertos. Esto garantiza un funcionamiento correcto de los interruptores de fuga a tierra de las salidas.

- Si no se necesita una salida con puesta a tierra durante el funcionamiento del inversor, esta función debe desactivarse. (Ver también sección 4.5)

No ajustable con conmutadores DIP.

- Si fuese necesario se puede conectar un relé de puesta a tierra externo (para un sistema de fase dividida con un autotransformador por separado).

Ver apéndice A.

Características de carga

El valor estándar es "Variable de cuatro fases con modo BatterySafe". Ver descripción en la Sección 2.

Esta es la mejor característica de carga. Consulte las demás características en la ayuda en pantalla de los programas de configuración del software.

El modo "fijo" puede seleccionarse con los conmutadores DIP.

Tipo de batería

El valor estándar es el más adecuado para Victron Gel Deep Discharge, Gel Exide A200, y baterías estacionarias de placa tubular (OPzS). Este valor también se puede utilizar para muchas otras baterías: por ejemplo, Victron AGM Deep Discharge y otras baterías AGM, y muchos tipos de baterías abiertas de placa plana. Con los conmutadores DIP pueden fijarse hasta cuatro tensiones de carga.

Carga de ecualización automática

Este ajuste está pensado para baterías de tracción de placa tubular. Durante la absorción, la tensión límite se incrementa a 2,83 V/celda (34 V para una batería de 24 V) una vez que la corriente de carga haya bajado a menos del 10% de la corriente máxima establecida.

No ajustable con conmutadores DIP.

Ver "curva de carga para baterías de tracción de placa tubular" en VEConfigure.

Tiempo de absorción

Depende del tiempo inicial (característica de carga variable) para que la batería se cargue de forma óptima. Si se selecciona la característica de carga "fija", el tiempo de absorción será fijo. Para la mayoría de las baterías un tiempo de absorción máximo de ocho horas resulta adecuado. Si se selecciona mayor tensión de absorción para carga rápida (sólo posible con baterías abiertas inundadas), es preferible cuatro horas. Con los conmutadores DIP se puede fijar un tiempo de ocho o cuatro horas. Para las características variables de carga, esto determina el tiempo máximo de absorción.

Tensión de almacenamiento, tiempo de repetición de absorción, intervalo de repetición de absorción

Ver sección 2. No ajustable con conmutadores DIP.

Protección "bulk"

Cuando este parámetro está "on" (activado), el tiempo de carga inicial se limita a 10 horas. Un tiempo de carga mayor podría indicar un error del sistema (p. ej., un cortocircuito de celda de batería). No ajustable con conmutadores DIP.

Límite de corriente de entrada CA-in1 (generador) / AC-in-2 (suministro pantalán/red)

Son los ajustes de limitación de corriente en los que se ponen en funcionamiento PowerControl y PowerAssist.

Rango de ajuste del PowerAssist:

- Desde 18A hasta 100A para la entrada AC-in-1

- Desde 18A hasta 100A para la entrada AC-in-2

Ajuste de fábrica: 60A para AC1 y 30A para AC2.

En el caso de las unidades en paralelo, el rango de valores mínimo y máximo debe multiplicarse por la cantidad de unidades conectadas en paralelo.

Ver la Sección 2, el libro "Energy Unlimited", o las numerosas descripciones de esta función única en nuestro sitio web www.victronenergy.com.

Función SAI

Si este ajuste está "activado" y la CA de entrada falla, Quattro pasa a funcionamiento de inversor prácticamente sin interrupción. El Quattro se puede utilizar entonces como Sistema de alimentación ininterrumpido (SAI) para equipos cruciales como ordenadores o sistemas de comunicación.

La tensión de salida para algunos grupos generadores pequeños es demasiado inestable y distorsionada para usar este ajuste, Quattro seguiría pasando a funcionamiento de inversor continuamente. Por este motivo este ajuste puede desactivarse. El Quattro responderá entonces con menos rapidez a las desviaciones de tensión en AC-in-1 o AC-in-2. El tiempo de conmutación a funcionamiento de inversor es por tanto algo mayor, pero la mayoría de los equipos (ordenadores, relojes o electrodomésticos) no se ven afectados negativamente.

Recomendación: Desactive la función SAI si el Quattro no se sincroniza o pasa continuamente a funcionamiento de inversor.

Limitador de corriente dinámico

Pensado para generadores, la tensión AC generada mediante un inversor estático (denominado generador "inversor"). En estos generadores, la velocidad de rotación se limita si la carga es baja, de esta forma se reduce el ruido, el consumo de combustible y la contaminación. Una desventaja es que la tensión de salida caerá enormemente o incluso fallará completamente en caso de un aumento súbito de la carga. Sólo puede suministrarse más carga después de que el motor alcance la velocidad normal.

Si este ajuste está "activado", Quattro empezará a suministrar energía a un nivel de salida de generador bajo y gradualmente permitirá al generador suministrar más, hasta que alcance el límite de corriente establecido. Esto permite al motor del generador alcanzar su régimen normal.

Este parámetro también se utiliza para generadores "clásicos" de respuesta lenta a una variación súbita de la carga.

WeakAC (CA débil)

Una distorsión fuerte de la tensión de entrada puede tener como resultado que el cargador apenas funcione o no funcione en absoluto. Si se activa WeakAC, el cargador también aceptará una tensión muy distorsionada a costa de una mayor distorsión de la corriente de entrada.

Recomendación: Conecte WeakAC si el cargador no carga apenas o en absoluto (lo que es bastante raro). Conecte al mismo tiempo el limitador de corriente dinámico y reduzca la corriente de carga máxima para evitar la sobrecarga del generador si fuese necesario.

Nota: cuando WeakAC está activado, la corriente de carga máxima se reduce aproximadamente un 20%.

No ajustable con conmutadores DIP.

BoostFactor

¡Cambie este ajuste sólo después de consultar a Victron Energy o a un ingeniero cualificado por Victron Energy!

No ajustable con conmutadores DIP.

Tres relés programables

El Quattro dispone de 3 relés programables. Estos relé puede programarse para cualquier tipo de aplicación, por ejemplo como relé de arranque para un grupo generador. Por defecto, el relé de la posición I (ver apéndice A, esquina superior derecha) está en "alarma".

No ajustable con conmutadores DIP.

Dos puertos analógicos de entrada programables

El Quattro dispone de 2 puertos analógicos.

Estos puertos pueden usarse para distintos fines. Una aplicación, por ejemplo, sería la de comunicarse con el BMS o con una batería de Litio-Ion.

No ajustable con conmutadores DIP.

Cambio de frecuencia

Cuando los inversores solares están conectados a la salida de un Multi o de un Quattro, el excedente de energía solar se utiliza para recargar las baterías. Una vez alcanzada la tensión de absorción, el Multi o Quattro detendrán el inversor solar cambiando la frecuencia de salida en 1Hz (de 50Hz a 51Hz, por ejemplo). Cuando la tensión de la batería haya caído ligeramente, la frecuencia volverá a su valor normal y los inversores solares volverán a funcionar.

No ajustable con conmutadores DIP.

Monitor de baterías integrado (opcional)

La solución ideal cuando un Multi, o un Quattro, forma parte de un sistema híbrido (generador diesel, inversor/cargadores, batería acumuladora y energía alternativa). El monitor de baterías integrado puede configurarse para arrancar y detener el generador.

- Arrancar cuando se alcance un % de descarga predeterminado, y/o

- arrancar (con una demora preestablecida) cuando se alcance una tensión de la batería predeterminada, y/o

- arrancar (con una demora preestablecida) cuando se alcance un nivel de carga predeterminado.

- Detener cuando se alcance una tensión de la batería predeterminada, o

- detener (con un tiempo de demora preestablecido) una vez completada la fase de carga "bulk", y/o

- detener (con una demora preestablecida) cuando se alcance un nivel de carga predeterminado.

No ajustable con conmutadores DIP.

5.3 Configuración por ordenador

Todos los ajustes pueden cambiarse mediante un ordenador.
Los ajustes más habituales pueden cambiarse mediante conmutadores DIP (ver Sección 5.5).

NOTA:

**Este manual es para productos con firmware xxxx400 o superior (siendo x cualquier número)
El firmware puede encontrarse en el microprocesador, una vez retirado el panel frontal.**

Es posible actualizar unidades más antiguas, siempre y cuando el mismo número de 7 dígitos empiece por 26 ó 27. Si empezara por 19 ó 20 sería un microprocesador antiguo y no sería posible actualizarlo a 400 o superior.

Para cambiar los parámetros con el ordenador, se necesita lo siguiente:
- VEConfigureII software: puede descargarse gratuitamente en www.victronenergy.com.
- Un cable RJ45 UTP y el interfaz MK2-USB.

5.3.1 Configuración rápida del VE.Bus

VE.Bus Quick Configure Setup es un programa de software con el que los sistemas con un máximo de tres unidades Quattro (funcionamiento en paralelo o trifásico) pueden configurarse de forma sencilla. VEConfigureII forma parte de este programa. El software puede descargarse gratuitamente en www.victronenergy.com. Para conectarse al ordenador se necesita un cable RJ45 UTP y la interfaz MK2-USB.

5.3.2 VE.Bus System Configurator

Para configurar aplicaciones avanzadas y sistemas con cuatro o más unidades Quattro, debe utilizar el software **VE.Bus System Configurator**. El software puede descargarse gratuitamente en www.victronenergy.com. VEConfigureII forma parte de este programa. Para conectarse al ordenador se necesita un cable RJ45 UTP y la interfaz MK2-USB.

5.3.3 Más software

Hay otras herramientas de software disponibles:

- Asistentes: para configurar Multis y Quattros para aplicaciones concretas (como aplicaciones de autoconsumo).
- apps: que ayudan a gestionar y controlar un sistema a través de un smartphone o tableta (ver Asistencia -> Descargas en nuestro sitio web - se necesita un panel ControlPanel).
- VRM (web Victron Remote Monitoring): que muestra con gráficos y cifras los parámetros y el historial de su sistema (se necesita un panel ColorControl).
- Remote VE Configure: para configurar o cambiar los ajustes de un sistema de forma remota (se necesita un panel ColorControl).
- El Multi/Quattro también puede utilizarse como inversor bidireccional funcionando en paralelo a la red, integrado en un sistema personalizado (PLC u otro) que se ocupa del bucle de control y de la medición de la red, consulte http://www.victronenergy.com/live/system_integration:hub4_grid_parallel

5.4 Configuración por medio del panel VE.Net

Se necesita un panel VE.Net y un convertidor VE.Net a VE.Bus.
Con VE.Net puede acceder a todos los parámetros, con la excepción del relé multifuncional y el VirtualSwitch.

5.5 Configuración con conmutadores DIP

Introducción

Mediante conmutadores DIP se puede modificar una serie de ajustes (ver Apéndice A, punto M).

Nota: Al modificar ajustes con conmutadores DIP en un sistema conectado en paralelo o de fase dividida/trifásico se debe tener en cuenta que no todos los ajustes son relevantes en todos los Quattros. Esto es debido a que algunos ajustes serán dictados por el maestro o líder.

Algunos ajustes sólo son relevantes en el maestro/líder (es decir, no son relevantes en un esclavo o seguidor). Otros ajustes no son relevantes para esclavos, pero lo son para seguidores.

Una nota sobre la terminología empleada:

Un sistema en el que se utiliza más de un Quattro para crear una única fase CA se llama un sistema paralelo. En este caso, uno de los Quattros controlará la totalidad de la fase; a este se le llama maestro. Los demás, llamados esclavos, sólo escucharán al maestro para determinar su actuación.

También es posible crear más fases CA (fase dividida o trifásico) con 2 ó 3 Quattros. En este caso el Quattro de la fase L1 se llama líder. El Quattro en la fase L2 (y L3 en su caso) generarán la misma frecuencia CA pero seguirán a L1 con un cambio de fase fija. Estos Quattros se llaman seguidores.

Si se utilizan más Quattros por fase en un sistema de fase dividida o trifásico (por ejemplo 6 Quattros utilizados para crear un sistema trifásico con 2 Quattros por fase), entonces el líder del sistema también es el maestro de la fase L1. Los seguidores en las fases L2 y L3 también asumirán el papel de maestros en las fases L2 y L3. Todos los demás serán esclavos.

Crear sistemas en paralelo o de fase dividida/trifásicos debe hacerse con software, ver párrafo 5.3.

CONSEJO: Si no se quiere complicar con que si un Quattro es un maestro/esclavo/seguidor, lo forma más fácil y directa es configurar todos los ajustes de forma idéntica en todos los Quattros.

Procedimiento general:

Encienda Quattro, preferiblemente descargado y sin tensión CA en las entradas. El Quattro funcionará en modo inversor.

Paso 1: Ajuste los conmutadores DIP para:

- limitar la corriente en las entradas de CA. (no relevante en todos los esclavos)
- limitar la corriente de carga. (sólo relevante para el maestro/líder)

Pulse el botón 'Up' durante 2 segundos (el botón **superior** a la derecha de los conmutadores DIP, ver Apéndice A, punto K) para guardar los cambios realizados. Ahora puede volver a utilizar los conmutadores DIP para aplicar los ajustes restantes (fase 2).

Paso 2: otros ajustes, use los conmutadores DIP para:

- Tensiones de carga (sólo relevante para maestro/líder)
- Tiempo de absorción (sólo relevante para maestro/líder)
- Carga variable (sólo relevante para maestro/líder)
- Limitador de corriente dinámico (no relevante para esclavos)
- Función SAI (no relevante para esclavos)
- Tensión del convertidor (no relevante para esclavos)
- Frecuencia del convertidor (sólo relevante para maestro/líder)

Pulse el botón "Down" (abajo) durante 2 segundos (el botón **inferior** a la derecha de los conmutadores DIP) para guardar los cambios una vez los haya puesto en la posición correcta.. Puede dejar los conmutadores DIP en las posiciones seleccionadas, de manera que los "otros valores" siempre puedan recuperarse.

Observación:

- Las funciones de los conmutadores DIP se describen por orden descendente. Puesto que el conmutador DIP superior tiene el número mayor (8), las descripciones comienzan con el conmutador número 8.

Instrucciones detalladas:

5.5.1 Fase 1

5.5.1.1 Limitación de la corriente en la entrada CA (por defecto: AC-in-1: 60A, AC-in-2: 30A)

Si la demanda de corriente (carga de Quattro + cargador de batería) amenaza con superar la corriente establecida, Quattro reducirá en primer lugar su corriente de carga (PowerControl), y después suministrará energía adicional de la batería (PowerAssist), en caso necesario.

El límite de corriente de AC-in-1 (el generador) puede fijarse en ocho valores diferentes mediante los conmutadores DIP. El límite de corriente de AC-in-2 puede fijarse en dos valores diferentes mediante los conmutadores DIP. Con el panel Multi Control puede fijarse un límite de corriente variable para la entrada AC-in-2.

Procedimiento

AC-in-1 puede fijarse con los conmutadores DIP ds8, ds7 y ds6 (valor predeterminado: 60A).

Procedimiento: ajustar los conmutadores DIP al valor requerido:

ds8 ds7 ds6

off off off = 15A (1,8kVA a 120V)
 off off on = 20A (2,4kVA a 120V)
 off on off = 25A (3,0kVA a 120V)
 off on on = 30A (3,6kVA a 120V)
 on off off = 35A (4,2kVA a 120V)
 on off on = 40A (4,8kVA a 120V)
 on on off = 50A (6,0kVA a 120V)
 on on on = 60A (7,2kVA a 120V)
 Más de 60A: con el software VEConfigure

Observación: La potencia nominal continua que especifican los fabricantes de pequeños generadores a veces suele pecar de optimista. En tal caso, el límite de corriente debe establecerse en un valor mucho menor del necesario de acuerdo con las especificaciones del fabricante.

AC-in-2 puede fijarse en dos pasos usando el conmutador DIP ds5 (valor predeterminado: 30 A).

Procedimiento: ajustar ds5 al valor requerido:

ds5

off = 30A
 on = 50A

Más de 50A: con el software VEConfigure o con un panel Digital Multi Control

5.5.1.2 Limitación de la corriente de carga (valor predeterminado 75%)

Para la máxima duración de la batería debe aplicarse una corriente de carga de entre un 10 y un 20% de la capacidad en Ah.

Ejemplo: corriente de carga óptima para una bancada de baterías de 24V/500Ah. 50A a 100A.

El sensor de temperatura suministrado automáticamente ajusta la tensión de carga a la temperatura de batería.

Si la carga es rápida y se necesita una corriente mayor:

- el sensor de temperatura suministrado debe ajustarse en la batería, ya que la carga rápida puede llevar a un incremento de temperatura considerable de la bancada de baterías. La tensión de carga se adapta a la temperatura más alta (es decir, reducida) mediante el sensor de temperatura.

- el tiempo de carga inicial será a veces tan corto que un tiempo de absorción fijo será más satisfactorio (tiempo de absorción "fijo", ver ds5, paso 2).

Procedimiento

La corriente de carga de la batería puede establecerse en cuatro pasos, usando los conmutadores DIP ds4 y ds3 (valor predeterminado: 75%).

ds4 ds3

off off = 25%
 off on = 50%
 on off = 75%
 on on = 100%

Nota: cuando el WeakAC está activado, la corriente de carga máxima se reduce del 100% a aproximadamente el 80%.

5.5.1.3 Los conmutadores DIP ds2 y ds1 no se usan en el paso 1.**NOTA IMPORTANTE:**

Si los 3 últimos dígitos del firmware del Multi están en el rango de la centena (número de firmware xxxx1xx (siendo x cualquier número)), entonces ds1 y ds2 se utilizan para configurar el Multi como autónomo, paralelo o trifásico. Por favor consulte el manual correspondiente.

5.5.1.4 Ejemplos

ejemplos de ajustes:

DS-8 AC-in-1	on		
DS-7 AC-in-1	on		
DS-6 AC-in-1	on		
DS-5 AC-in-2	on		
DS-4 Corriente de carga	on		
DS-3 Corriente de carga		off	
DS-2 Modo autónomo		off	
DS-1 Modo autónomo		off	
Paso1, autónomo Ejemplo 1 (valores de fábrica): 8, 7, 6 AC-in-1: 60A 5 AC-in-2: 30A 4, 3 Corriente de carga: 75% 2, 1 Modo autónomo	Paso1, autónomo Ejemplo 2: 8, 7, 6 AC-in-1: 60A 5 AC-in-2: 30A 4, 3 Carga: 100% 2, 1 Autónomo	Paso1, autónomo Ejemplo 3: 8, 7, 6 AC-in-1: 30A 5 AC-in-2: 30A 4, 3 Carga: 100% 2, 1 Autónomo	Paso1, autónomo Ejemplo 4: 8, 7, 6 AC-in-1: 50A 5 AC-in-2: 50A 4, 3 Carga: 50% 2, 1 Autónomo

Para guardar los ajustes una vez configurados los valores requeridos: pulse el botón "Up" durante 2 segundos (el botón superior a la derecha de los conmutadores DIP, ver Apéndice A, punto K). **Los LED de sobrecarga y batería baja parpadearán para indicar la aceptación de estos valores.**

Recomendamos anotar estos valores y guardar la información en un lugar seguro.

Ahora se pueden realizar los ajustes restantes con los conmutadores DIP (paso 2).

5.5.2 Paso 2 Otros ajustes

Los demás ajustes no son pertinentes para los esclavos.

Algunos de los ajustes restantes no son relevantes para los seguidores (**L2, L3**). El líder **L1** impone estos valores a todo el sistema. Si un ajuste no es relevante para los dispositivos **L2, L3**, se indicará explícitamente.

ds8-ds7: Ajuste de tensiones de carga (**no relevante para L2, L3**)

ds8-ds7	Absorption tensión	Float tensión	Almacenamiento tensión	Adecuado para
off off	14,1 28,2 56,4	13,8 27,6 55,2	13,2 26,4 52,8	Gel Victron Long Life (OPzV) Gel Exide A600 (OPzV) Gel MK battery
off on	14,4 28,8 57,6	13,8 27,6 55,2	13,2 26,4 52,8	Gel Victron Deep Discharge Gel Exide A200 AGM Victron Deep Discharge Placa tubular estacionaria (OPzS)
on off	14,7 29,4 58,8	13,8 27,6 55,2	13,2 26,4 52,8	AGM Victron Deep Discharge Baterías de placa tubular (OPzS) en modo carga semilenta AGM Placa en espiral
on on	15,0 30,0 60,0	13,8 27,6 55,2	13,2 26,4 52,8	Baterías de placa tubular (OPzS) en modo cíclico

ds6: tiempo de absorción de 8 ó 4 (**no relevante para L2, L3**) on = 8 horas off = 4 horas

ds5: característica de carga variable (**no relevante para L2, L3**) on = activa off = inactiva (tiempo de absorción fijo)

ds4: limitador de corriente dinámico on = activo off = inactivo

ds3: función SAI on = activa off = inactiva

ds2: tensión del convertidor on = 120V off = 115V

ds1: frecuencia del convertidor (**no relevante para L2, L3**) on = 50Hz off = 60Hz
(el rango amplio de frecuencias de entrada (45-55 Hz) está en "on" por defecto)

Nota:

- Si "Algoritmo de carga variable" está "on", ds6 ajusta el tiempo máximo de absorción en 8 horas o 4 horas.
- Si "Algoritmo de carga variable" está "off", ds6 ajusta el tiempo de absorción en 8 horas o 4 horas (fijo).

Paso 2: Ejemplos de ajustes

El ejemplo 1 muestra los valores de fábrica (puesto que estos valores se introducen por ordenador, todos los conmutadores DIP de un producto nuevo están desactivados ("off") y no reflejan los ajustes reales del microprocesador).

DS-8 Tens. de carga	<input type="checkbox"/>	off	DS-8	<input type="checkbox"/>	off	DS-8	<input checked="" type="checkbox"/>	on	<input type="checkbox"/>	DS-8	<input checked="" type="checkbox"/>	on	<input type="checkbox"/>
DS-7 Tens. de carga	on	<input type="checkbox"/>	DS-7	<input type="checkbox"/>	off	DS-7	<input type="checkbox"/>	off	<input type="checkbox"/>	DS-7	on	<input type="checkbox"/>	<input type="checkbox"/>
DS-6 Tiempo absor.	on	<input type="checkbox"/>	DS-6	on	<input type="checkbox"/>	DS-6	on	<input type="checkbox"/>	<input type="checkbox"/>	DS-6	<input type="checkbox"/>	off	<input type="checkbox"/>
DS-5 Carga variable.	on	<input type="checkbox"/>	DS-5	on	<input type="checkbox"/>	DS-5	on	<input type="checkbox"/>	<input type="checkbox"/>	DS-5	<input type="checkbox"/>	off	<input type="checkbox"/>
DS-4 Lim. corr diná.	<input type="checkbox"/>	off	DS-4	<input type="checkbox"/>	off	DS-4	on	<input type="checkbox"/>	<input type="checkbox"/>	DS-4	<input type="checkbox"/>	off	<input type="checkbox"/>
DS-3 Función SAI:	on	<input type="checkbox"/>	DS-3	<input type="checkbox"/>	off	DS-3	<input type="checkbox"/>	off	<input type="checkbox"/>	DS-3	on	<input type="checkbox"/>	<input type="checkbox"/>
DS-2 Tensión	on	<input type="checkbox"/>	DS-2	on	<input type="checkbox"/>	DS-2	<input type="checkbox"/>	off	<input type="checkbox"/>	DS-2	<input type="checkbox"/>	off	<input type="checkbox"/>
DS-1 Frecuencia	on	<input type="checkbox"/>	DS-1	on	<input type="checkbox"/>	DS-1	on	<input type="checkbox"/>	<input type="checkbox"/>	DS-1	<input type="checkbox"/>	off	<input type="checkbox"/>
Paso 2 Ejemplo 1 (valores de fábrica): 8, 7 GEL 14,4V 6 Tiempo de absorción: 8 horas 5 Carga variable: on 4 Limitador de corriente dinámico: off 3 Función SAI: on 2 Tensión: 120V 1 Frecuencia: 50Hz			Paso 2 Ejemplo 2: 8, 7 OPzV 14,1V 6 Tiempo de absorción: 8 h 5 Carga variable: on 4 Lim. corr. din.: off 3 Función SAI: off 2 Tensión: 120V 1 Frecuencia: 50Hz			Paso 2 Ejemplo 3: 8, 7 AGM 14,7V 6 Tiempo de absorción: 8 h 5 Carga variable: on 4 Lim. corr. Din.: on 3 Función SAI: off 2 Tensión: 115V 1 Frecuencia: 50Hz			Paso 2 Ejemplo 4: 8, 7 Placa tub. de 15V 6 Tiempo de absorción: 4 h 5 Tiempo abs. fijo 4 Lim. corr. din.: off 3 Función SAI: on 2 Tensión: 115V 1 Frecuencia: 60Hz				

Para guardar los ajustes una vez configurados los valores requeridos: pulse el botón "Down" durante 2 segundos (el botón inferior a la derecha de los conmutadores DIP). **Los LED de temperatura y batería baja parpadearán para indicar la aceptación de estos valores.**

Los conmutadores DIP pueden dejarse en las posiciones elegidas para poder recuperar siempre los "otros valores".



6. MANTENIMIENTO

El Quattro no necesita un mantenimiento específico. Bastará con comprobar todas las conexiones una vez al año. Evite la humedad y la grasa, el hollín y el vapor y mantenga limpio el equipo.

7. INDICACIONES DE ERROR

Los siguientes procedimientos permiten identificar rápidamente la mayoría de los errores. Si un error no se puede resolver, consulte al proveedor de Victron Energy.

7.1 Indicaciones generales de error

Problema	Causa	Solución
El Quattro no conmuta a funcionamiento de generador o red principal.	El disyuntor o el fusible en la entrada AC-in está abierto debido a una sobrecarga.	Retire la sobrecarga o el cortocircuito de AC-out-1 o AC-out-2, y reponga el fusible/disyuntor
El inversor no se ha puesto en marcha al encenderlo.	La tensión de la batería es muy alta o muy baja. No hay tensión en la conexión CC.	Compruebe que la tensión de la batería está en el rango correcto.
El LED de "batería baja" parpadea.	Baja tensión de la batería.	Cargue la batería o compruebe las conexiones de la misma.
El LED de "batería baja" se enciende.	El convertidor se apaga porque la tensión de la batería es muy baja.	Cargue la batería o compruebe las conexiones de la misma.
El LED de "sobrecarga" parpadea.	La carga del convertidor supera la carga nominal.	Reducir la carga.
El LED de "sobrecarga" se enciende.	El convertidor se paga por exceso de carga.	Reducir la carga.
El LED "Temperatura" parpadea o se enciende.	La temperatura ambiente es alta o la carga es excesiva.	Instale el convertidor en un ambiente fresco y bien ventilado o reduzca la carga.
Los LED de "Batería baja" y "sobrecarga" parpadean alternativamente.	Baja tensión de batería y carga excesiva.	Cargue las baterías, desconecte o reduzca la carga o instale baterías de alta capacidad. Instale cables de batería más cortos o más gruesos.
Los LED de "Batería baja" y "sobrecarga" parpadean simultáneamente.	La tensión de ondulación en la conexión CC supera 1,5 Vrms.	Compruebe los cables de la batería y las conexiones. Compruebe si la capacidad de la batería es bastante alta y aumentela si es necesario.
Los LED de "Batería baja" y "sobrecarga" se encienden.	El inversor se para debido a un exceso de tensión de ondulación en la entrada.	Instale baterías de mayor capacidad. Coloque cables de batería más cortos o más gruesos y reinicie el inversor (apagar y volver a encender).
Un LED de alarma se enciende y el segundo parpadea.	El inversor se para debido a la activación de la alarma por el LED que se enciende. El LED que parpadea indica que el inversor se va a apagar debido a esa alarma.	Compruebe en la tabla las medidas adecuadas relativas a este estado de alarma.
El cargador no funciona.	La tensión de entrada CA o frecuencia no están en el rango establecido.	Compruebe que el valor CA está entre 95 VCA y 140 VCA, y que la frecuencia está en el rango establecido (valor predeterminado 45-65 Hz).
	El disyuntor o el fusible en la entrada AC-in está abierto debido a una sobrecarga.	Retire la sobrecarga o el cortocircuito de AC-out-1 o AC-out-2, y reponga el fusible/disyuntor
	El fusible de la batería se ha fundido.	Cambiar el fusible de la batería.
	La distorsión de la tensión de entrada CA es demasiado grande (generalmente alimentación de generador).	Active los valores WeakAC y limitador de corriente dinámico.
El cargador no funciona. El LED "Bulk" (carga inicial) parpadea y el LED "Mains on" (red activada) se ilumina.	El MultiPlus está en modo "Bulk protection" (protección de carga inicial), ya que se ha excedido el tiempo de carga inicial de 10 horas. Un tiempo de carga tan largo podría indicar un error del sistema (p. ej., un cortocircuito de celda de batería).	Compruebe las baterías. NOTA: Puede reiniciar el modo de error apagando y volviendo a encender el MultiPlus. El ajuste de fábrica estándar del modo "Protección de carga inicial" para el MultiPlus es "on" (activado). El modo "Protección de carga inicial" puede desactivarse sólo a través del VEConfigure.
La batería no está completamente cargada.	La corriente de carga es excesivamente alta, provocando una fase de absorción prematura.	Fije la corriente de carga a un nivel entre 0,1 y 0,2 veces la capacidad de la batería.
	Mala conexión de la batería.	Comprobar las conexiones de la batería.
	La tensión de absorción se ha fijado en un nivel incorrecto (demasiado bajo).	Fije la tensión de absorción al nivel correcto.
	La tensión de flotación se ha fijado en un nivel incorrecto (demasiado bajo).	Fije la tensión de flotación en el nivel correcto.
	El tiempo de carga disponible es demasiado corto para cargar toda la batería.	Seleccione un tiempo de carga mayor o una corriente de carga superior.
	El tiempo de absorción es demasiado corto. En el caso de carga variable puede deberse a una corriente de carga excesiva respecto a la capacidad de la batería de modo que el tiempo inicial es insuficiente.	Reducir la corriente de carga o seleccione las características de carga "fijas".

Sobrecarga de la batería.	La tensión de absorción se ha fijado en un nivel incorrecto (demasiado alto).	Fije la tensión de absorción al nivel correcto.
	La tensión de flotación se ha fijado en un nivel incorrecto (demasiado alto).	Fije la tensión de flotación en el nivel correcto.
	Batería en mal estado.	Cambie la batería.
	La temperatura de la batería es demasiado alta (por mala ventilación, temperatura ambiente excesivamente alta o corriente de carga muy alta).	Mejorar la ventilación, instalar las baterías en un ambiente más fresco, reducir la corriente de carga y conectar el sensor de temperatura.
La corriente de carga cae a 0 tan pronto como se inicia la fase de absorción.	La batería está sobrecalentada (>50°C)	Instale la batería en un entorno más fresco Reduzca la corriente de carga Compruebe si alguna de las celdas de la batería tiene un cortocircuito interno
	Sensor de temperatura de la batería defectuoso	Desconecte el sensor de temperatura del Quattro. Si la carga funciona bien después de 1 minuto aproximadamente, deberá cambiar el sensor de temperatura.

7.2 Indicaciones especiales de los LED

(consulte en la sección 3.4 las indicaciones normales de los LED)

Los LED "Bulk" y "Absorption" parpadean sincronizadamente (simultáneamente).	Error de la sonda de tensión. La tensión medida en la conexión de la sonda se desvía mucho (más de 7 V) de la tensión de las conexiones negativa y positiva del dispositivo. Probablemente haya un error de conexión. El dispositivo seguirá funcionando normalmente. NOTA: Si el LED "inverter on" parpadea en oposición de fase, se trata de un código de error de VE.Bus (ver más adelante).
Los LED indicadores de absorción y flotación parpadean sincronizadamente (simultáneamente).	La temperatura de la batería medida tiene un valor bastante improbable. El sensor puede tener defectos o se ha conectado incorrectamente. El dispositivo seguirá funcionando normalmente. NOTA: Si el LED "inverter on" parpadea en oposición de fase, se trata de un código de error de VE.Bus (ver más adelante).
"Mains on" parpadea y no hay tensión de salida.	El dispositivo funciona en "charger only" y hay suministro de red. El dispositivo rechaza el suministro de red o sigue sincronizando.

7.3 Indicaciones de los LED de VE.Bus

Los inversores incluidos en un sistema VE.Bus (una disposición en paralelo o trifásica) pueden proporcionar indicaciones LED VE.Bus. Estas indicaciones LED pueden dividirse en dos grupos: Códigos correctos y códigos de error.

7.3.1 Códigos correctos VE.Bus

Si el estado interno de un dispositivo está en orden pero el dispositivo no se puede poner en marcha porque uno o más de los dispositivos del sistema indica un estado de error, los dispositivos que están correctos mostrarán un código OK. Esto facilita la localización de errores en el sistema VE.Bus ya que los dispositivos que no necesitan atención se identifican fácilmente.

Importante: ¡Los códigos OK sólo se mostrarán si un dispositivo no está en modo inversor o cargador!

- Un LED "bulk" intermitente indica que el dispositivo puede realizar la función del inversor.
- Un LED "float" intermitente indica que el dispositivo puede realizar la función de carga.

NOTA: En principio, todos los demás LED deben estar apagados. Si no es así, el código no es un código OK. No obstante, pueden darse las siguientes excepciones:

- Las indicaciones especiales de los LED pueden darse junto a códigos OK.
- El LED "low battery" puede funcionar junto al código OK que indica que el dispositivo puede cargar.

7.3.2 Códigos de error VE.Bus

Un sistema VE.Bus puede mostrar varios códigos de error. Estos códigos se muestran con los LED "inverter on", "bulk", "absorption" y "float".

Para interpretar un código de error VE.Bus correctamente, debe seguirse este procedimiento:

1. El dispositivo deberá registrar un error (sin salida CA).
2. ¿Parpadea el LED "inverter on"? En caso negativo, el código **no** es un código de error VE.Bus.
3. Si uno o varios de los LED "bulk", "absorption" o "float" parpadea, entonces debe estar en oposición de fase del LED "inverter on", es decir, los LED que parpadean están desconectados si el LED "inverter on" está encendido, y viceversa. Si no es así, el código **no** es un código de error VE.Bus.
4. Compruebe el LED "bulk" y determine cuál de las tres tablas siguientes debe utilizarse.
5. Seleccione la fila y la columna correctas (dependiendo de los LED "absorption" y "float") y determine el código de error.
6. Determine el significado del código en las tablas siguientes.

LED Bulk off				LED Bulk parpadea				LED Bulk on						
		LED Absorption					LED Absorption					LED Absorption		
		off	parpadea	On			off	parpadea	on			off	parpadea	on
LED de flotación	off	0	3	6	LED de flotación	off	9	12	15	LED de flotación	off	18	21	24
	parpadea	1	4	7		parpadea	10	13	16		parpadea	19	22	25
	on	2	5	8		on	11	14	17		on	20	23	26

LED "bulk" LED Absorption LED de flotación	Código	Significado:	Causa/solución:
○ ○ ★	1	El dispositivo está apagado porque ninguna de las otras fases del sistema se ha desconectado.	Compruebe la fase que falla.
○ ★ ○	3	No se encontraron todos los dispositivos, o más de los esperados, en el sistema.	El sistema no está bien configurado. Reconfigurar el sistema. Error del cable de comunicaciones. Compruebe los cables y apague todo el equipo y vuelva a encenderlo.
○ ★ ★	4	No se ha detectado otro dispositivo.	Compruebe los cables de comunicaciones.
○ ★ ★	5	Sobretensión en AC-out.	Compruebe los cables CA.
★ ○ ★	10	Se ha producido un problema de sincronización del tiempo del sistema.	No debe ocurrir si el equipo está bien instalado. Compruebe los cables de comunicaciones.
★ ★ ★	14	El dispositivo no puede transmitir datos.	Compruebe los cables de comunicaciones (puede haber un cortocircuito).
★ ★ ★	16	El sistema está apagado porque se trata de un sistema ampliado y no se ha conectado la "mochila".	Conecte la mochila.
★ ★ ★	17	Uno de los dispositivos ha asumido el papel de "maestro" porque el original ha fallado.	Compruebe la unidad que falla. Compruebe los cables de comunicaciones.
★ ○ ○	18	Se ha producido una sobretensión.	Compruebe los cables CA.
★ ★ ★	22	Este dispositivo no puede funcionar como "esclavo".	Este dispositivo es un modelo obsoleto e inadecuado. Debe cambiarse.
★ ★ ○	24	Se ha iniciado la protección del sistema de conmutación.	No debe ocurrir si el equipo está bien instalado. Apague todos los equipos y vuelva a encenderlos. Si el problema se repite, compruebe la instalación.
★ ★ ★	25	Incompatibilidad de firmware. El firmware de uno de los dispositivos conectados no está actualizado para funcionar con este dispositivo.	1) Apague todos los equipos. 2) Encienda el dispositivo que mostraba este error. 3) Encienda los demás dispositivos uno a uno hasta que vuelva a aparecer el mensaje de error. 4) Actualice el firmware del último dispositivo que estuvo encendido.
★ ★ ★	26	Error interno.	No debe ocurrir. Apague todos los equipos y vuelva a encenderlos. Póngase en contacto con Victron Energy si el problema persiste.

8. ESPECIFICACIONES TÉCNICAS

Quattro	12/5000/220-100/100	24/5000/120-100/100 120V	48/5000/70-100/100 120V
PowerControl / PowerAssist	Sí		
Conmutador de transferencia integrado	Sí		
2 entradas CA	Rango de tensión de entrada: 90-140 VCA Frecuencia de entrada: 45 – 65 Hz Factor de potencia: 1		
Corriente máxima de alimentación (A)	AC-in-1: 100A AC-in-2: 100A		
Corriente mínima para PowerAssist (A)	AC-in-1: 18A AC-in-2: 18A		
INVERSOR			
Rango de tensión de entrada (VCC)	9,5 – 17	19 – 33	38 – 66
Salida (1)	Tensión de salida: 120 VCA ± 2% Frecuencia: 60 Hz ± 0,1%		
Potencia cont. de salida a 25°C (VA) (3)	5000	5000	5000
Potencia cont. de salida a 25°C (W)	4000	4000	4000
Potencia cont. de salida a 40°C (W)	3700	3700	3700
Potencia cont. de salida a 65°C (W)	3000	3000	3000
Pico de potencia (W)	10000	10000	10000
Eficacia máxima (%)	90	91	92
Consumo en vacío (W)	30	30	35
Consumo en vacío en modo de ahorro (W)	20	25	30
Consumo en vacío en modo de búsqueda (W)	10	10	15
CARGADOR			
Tensión de carga de 'absorción' (V CC)	14,4	28,8	57,6
Tensión de carga de "flotación" (V CC)	13,8	27,6	55,2
Modo de almacenamiento (VCC)	13,2	26,4	52,8
Corriente de carga de la batería auxiliar (A)	220	120	70
Corriente de carga de la batería de arranque	4	4	
Sensor de temperatura de la batería	sí		
GENERAL			
Salida CA auxiliar	Carga máxima: 50A Se detiene cuando está en modo inversor		
Relé programable (5)	Sí, 3x		
Protección (2)	a - g		
Puerto de comunicación VE.Bus	Para funcionamiento paralelo y trifásico, supervisión remota e integración del sistema		
Puerto com. de uso general	Sí, 2 puertos		
Características comunes	Temp. de trabajo: -40 a +65°C (refrigerado por aire) Humedad (sin condensación): máx. 95%		
CARCASA			
Características comunes	Material y color: aluminio (azul RAL 5012) Protección: IP 21		
Conexión de la batería	Cuatro pernos M8 (2 conexiones positivas y 2 negativas)		
Conexión 120 V CA	Pernos M6		
Peso (kg)	101 lb 46 kg.		
Dimensiones (al x an x p en mm.)	18,3 x 13,7 x 11 pulgadas 464 x 348 x 280 mm.		
ESTÁNDARES			
Seguridad	EN 60335-1, EN 60335-2-29		
Emisiones/Normativas	EN 55014-1, EN 55014-2, EN 61000-3-3		

1) Puede ajustarse a 50Hz

2) Protección

- a. Cortocircuito de salida
- b. Sobrecarga
- c. Tensión de la batería demasiado alta
- d. Tensión de la batería demasiado baja
- h. Temperatura demasiado alta
- f. 120VCA en la salida del inversor
- g. Ondulación de la tensión de entrada demasiado alta

3) Carga no lineal, factor de cresta 3:1

4) At 25 °C ambiente

5) Relés programables configurables como alarma general, subtensión CC o señal de arranque para el generador

Capacidad nominal CA 120V/4A

Capacidad nominal CC 4A hasta 35VCC, 1A hasta 60VCC



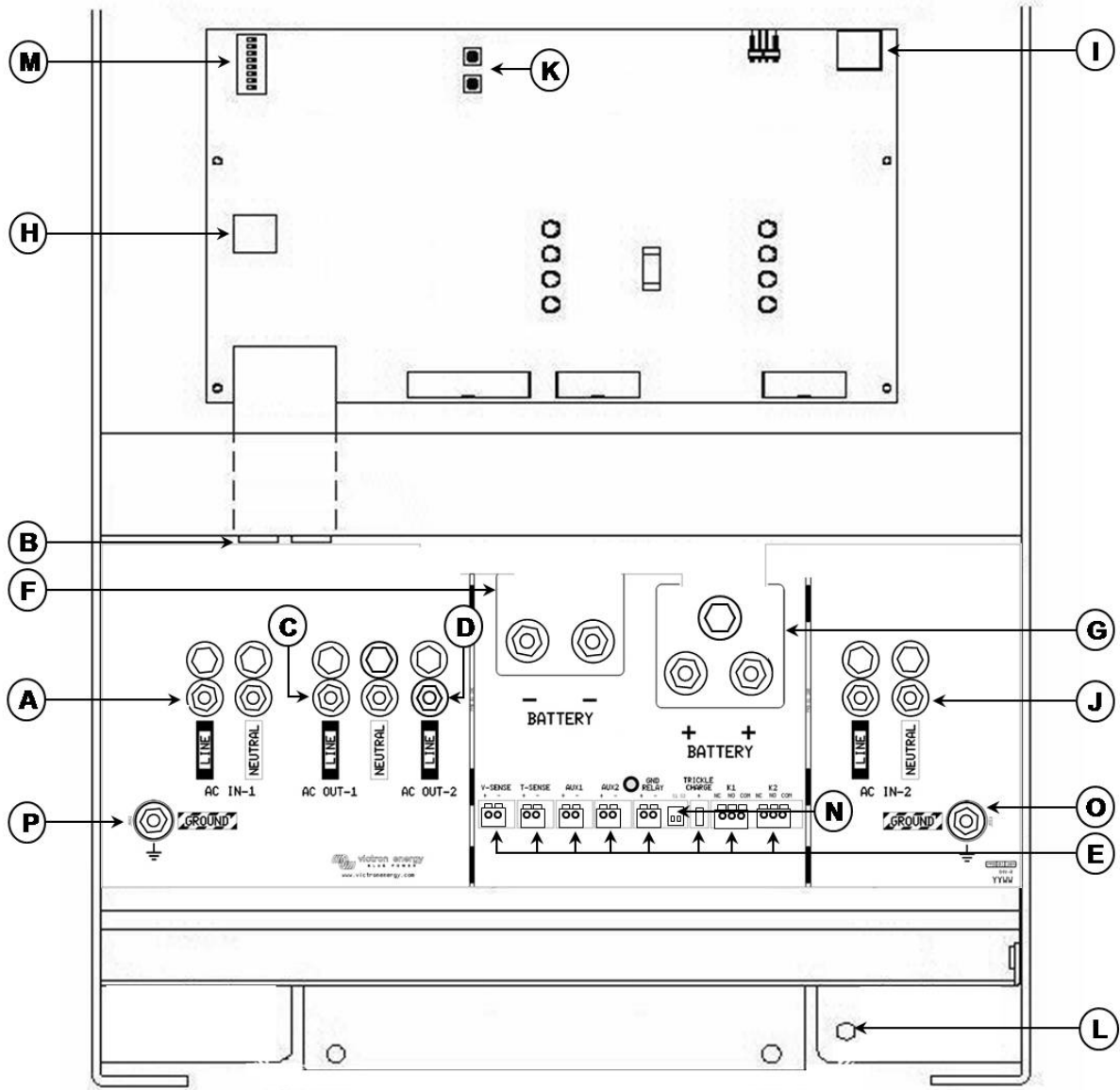
victron energy

EN

ES

Appendix

APPENDIX A: Overview connections
APÉNDICE A: Conexiones generales



APPENDIX A: Overview connections

APÉNDICE A: Conexiones generales

EN:

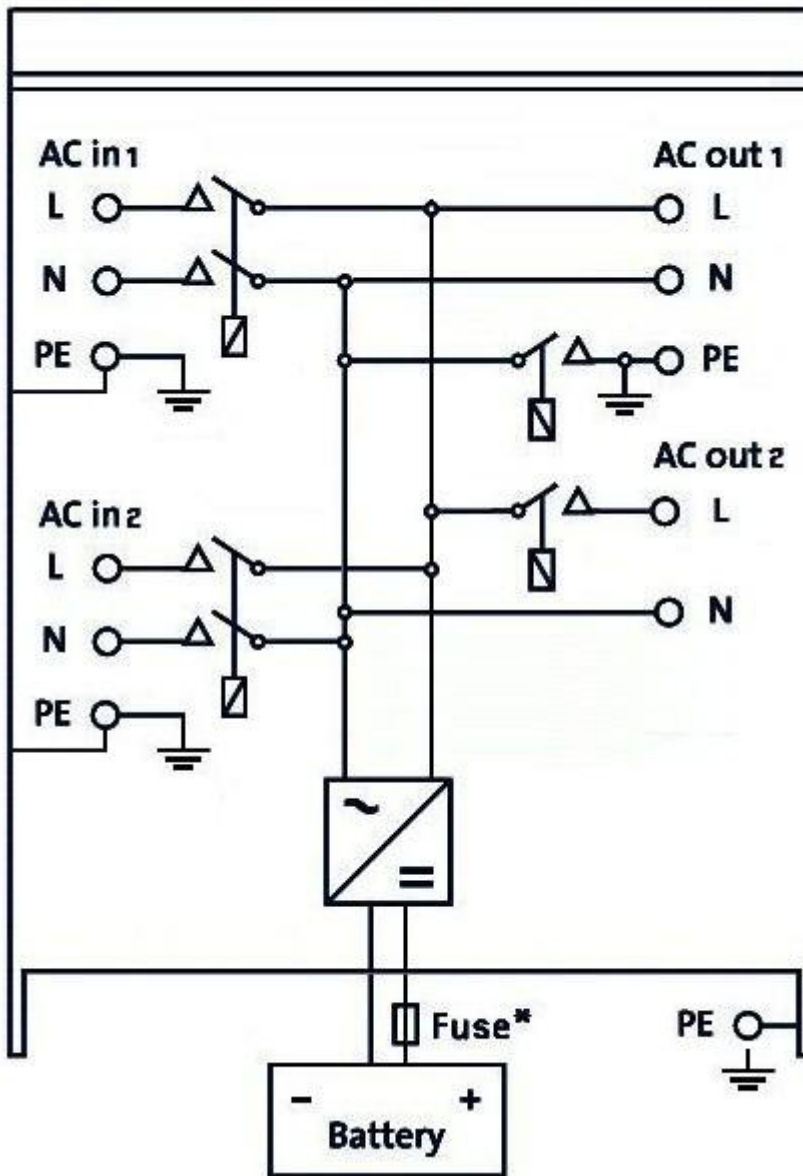
A	AC input M6 (generator input) AC IN-1. Left to right: L (phase), N (neutral).
B	2x RJ45 connector for remote panel and/or parallel and 3-phase operation.
C	AC output M6 AC OUT-1. Left to right: L (phase), N (neutral).
D	AC output M6 AC OUT-2. Left to right: N (neutral), L (phase).
E	Terminals for: (left to right) Voltage sense Temperature sensor Aux input 1 Aux input 2 GND-relay Starter battery plus + (starter battery minus must be connected to service battery minus) Programmable relay contacts K1 Programmable relay contacts K2
F	Double M8 battery minus connection.
G	Double M8 battery positive connection.
H	Connector for remote switch: Short left and middle terminal to switch "on". Short right and middle terminal to switch to "charger only".
I	Alarm contact: Left to right: NC, NO, COM.
J	AC input M6 (shore/grid supply) AC IN-2. Left to right: L (phase), N (neutral).
K	Push buttons for set-up mode
L	Primary ground connection M8 (PE).
M	DIP switches for set-up mode.
N	Slide switches, factory setting SW1= off position, SW2 = off position. SW1: Off = internal GND relay selected, On = external GND relay selected (to connect ext GND relay: see E). SW2: No application. To be used for future features.
O	AC IN-2 M6 common earth connection (ground).
P	AC IN-1, AC OUT-1 M6 earth connection (ground).

ES:

A	Entrada CA M6 (entrada del generador) AC-in-1. Izquierda a derecha: L (fase), N (neutro).
B	2 conectores RJ45 para panel remoto y/o funcionamiento en paralelo o trifásico.
C	Salida CA M6 AC-out-1 Izquierda a derecha: L (fase), N (neutro).
D	Salida CA M6 AC-out-2 Izquierda a derecha: N (neutro), L (fase).
E	Terminales para: (izquierda a derecha) Sensor de tensión Sensor de temperatura Entrada aux 1 Entrada aux 2 Relé GND (tierra) Positivo de la batería de arranque + (el negativo de la batería de arranque debe conectarse al negativo de la batería de servicio) Contactos del relé programable K1. Contactos del relé programable K2.
L	Conexión del negativo de la batería por medio de M8 doble.
G	Conexión positivo batería M8 doble.
H	Conector para conmutador remoto: Terminal izquierdo corto y medio para "encender". Terminal derecho corto y medio para conmutar a "charger only".
I	Contacto de la alarma: Izquierda a derecha: NC, NO, COM.
J	Entrada CA M6 (suministro pantalán/red) AC-in-2. Izquierda a derecha: L (fase), N (neutro).
K	Pulsadores para modo configuración
L	Conexión a tierra primaria M8 (PE).
M	Conmutadores DIP para modo de configuración.
N	Potenciómetros, ajuste de fábrica SW1 = posición off, SW2 = posición off. SW1: Off = internal GND relay selected, On = external GND relay selected (to connect ext GND relay: see E). SW2: Sin función. Para su uso en funciones futuras.
O	Conexión a tierra común M6 (tierra) para AC IN-2.
P	Conexión a tierra M6 (tierra) para AC-IN-1, AC-OUT-1.

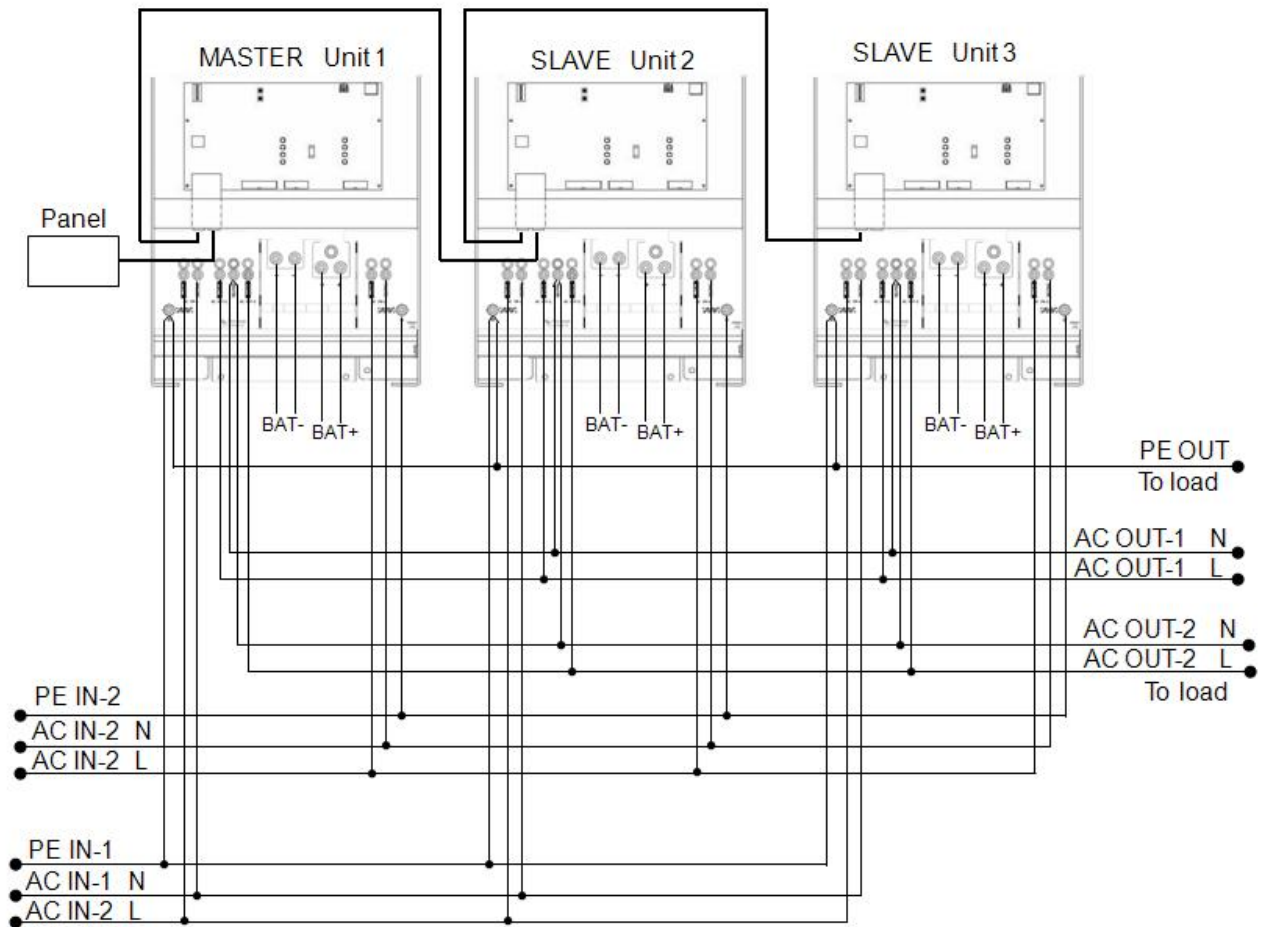


APPENDIX B: Block diagram
APÉNDICE B: Diagrama de bloques

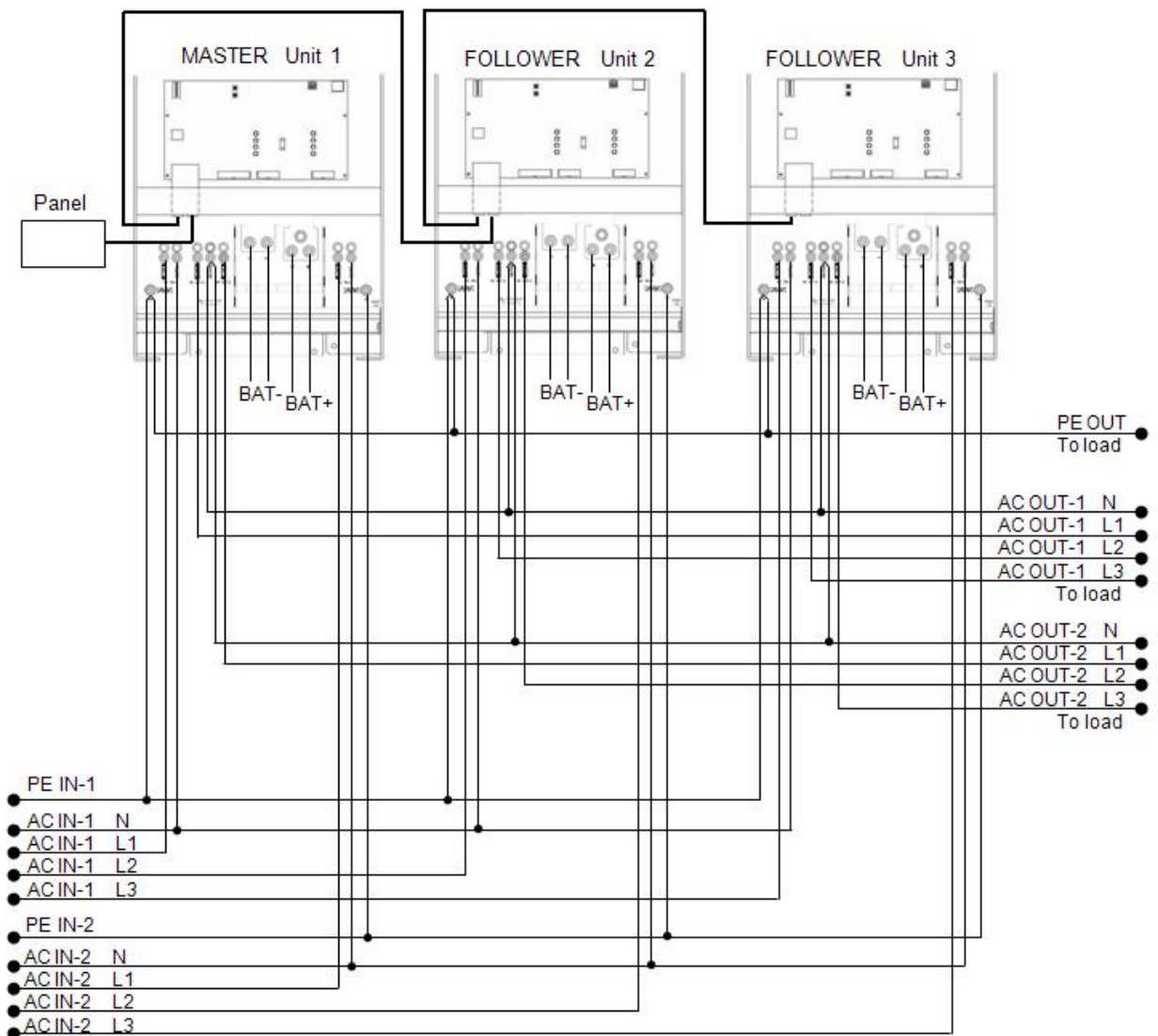


* See table in Chapter 4.2 "Recommended DC fuse".
* Ver tabla en Capítulo 4.2 "Fusible CC recomendado".

APPENDIX C: Parallel connection
APÉNDICE C: Conexión en paralelo

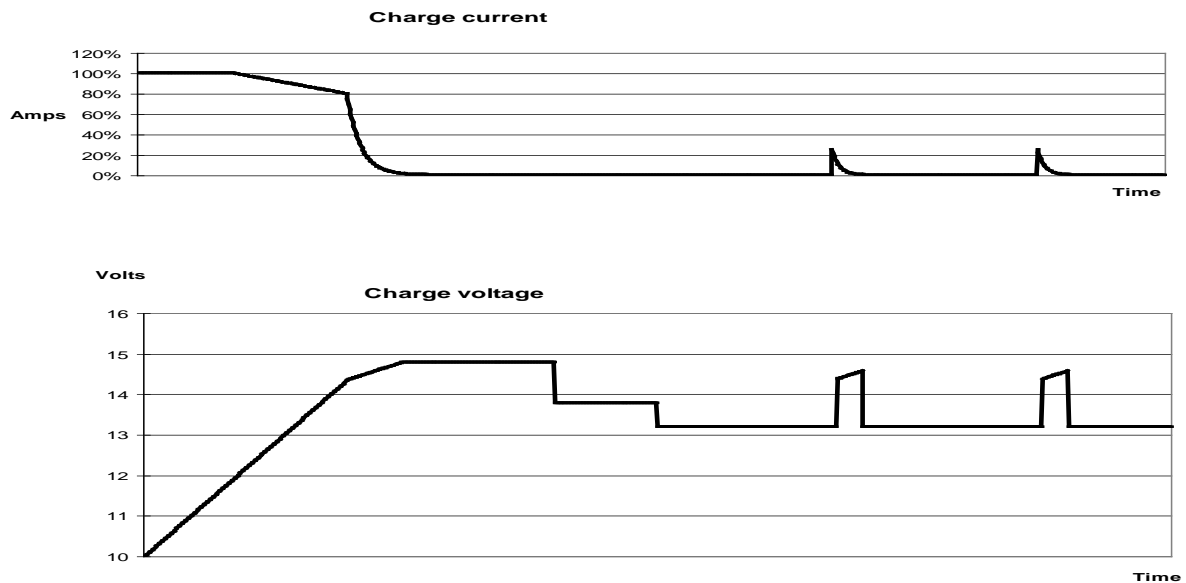


APPENDIX D: Three-phase connection
APÉNDICE D: Conexión trifásica



APPENDIX E: Charge characteristic

APÉNDICE E: Características de carga



4-stage charging:

Bulk

Entered when charger is started. Constant current is applied until nominal battery voltage is reached, depending on temperature and input voltage, after which constant power is applied up to the point where excessive gassing is starting (14.4V resp. 28.8V, temperature-compensated).

Battery Safe

The applied voltage to the battery is raised gradually until the set Absorption voltage is reached. The Battery Safe Mode is part of the calculated absorption time.

Absorption

The absorption period is dependent on the bulk period. The maximum absorption time is the set Maximum Absorption time.

Float

Float voltage is applied to keep the battery fully charged

Storage

After one day of float charge the output voltage is reduced to storage level. This is 13,2V resp. 26,4V (for 12V and 24V charger). This will limit water loss to a minimum when the battery is stored for the winter season.

After an adjustable time (default = 7 days) the charger will enter Repeated Absorption mode for an adjustable time (default = one hour) to 'refresh' the battery.

Carga de 4 – etapas

Bulk

Introducido al arrancar el cargador. Se aplica una corriente constante hasta alcanzar la tensión de la batería, según la temperatura y de la tensión de entrada, tras lo cual, se aplica una corriente constante hasta el punto en que empiece un gaseado excesivo (14,4V resp. 28,8V temperatura compensada).

BatterySafe

La tensión aplicada a la batería aumenta gradualmente hasta alcanzar la tensión de absorción establecida. El modo BatterySafe forma parte del tiempo de absorción calculado.

Absorption

El periodo de absorción depende del periodo inicial. El tiempo máximo de absorción máximo es el tiempo de absorción máximo establecido.

Float

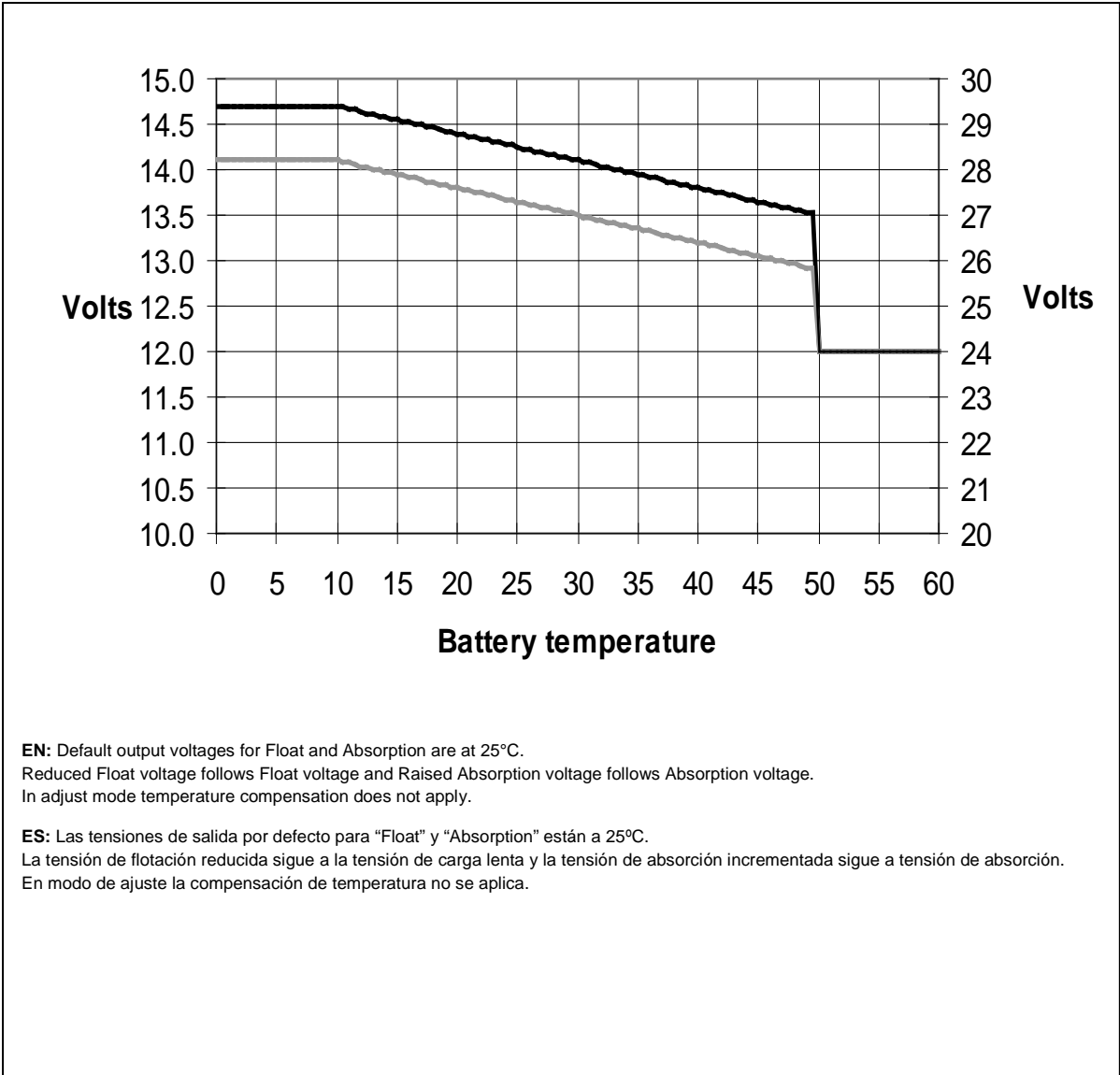
La tensión de flotación se aplica para mantener la batería completamente cargada.

Almacenamiento

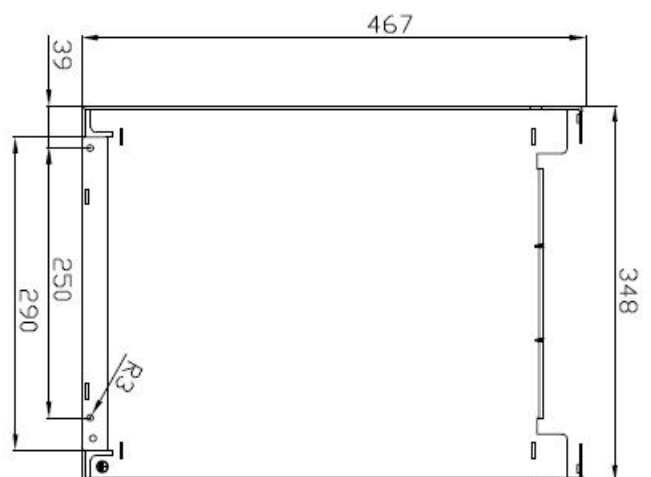
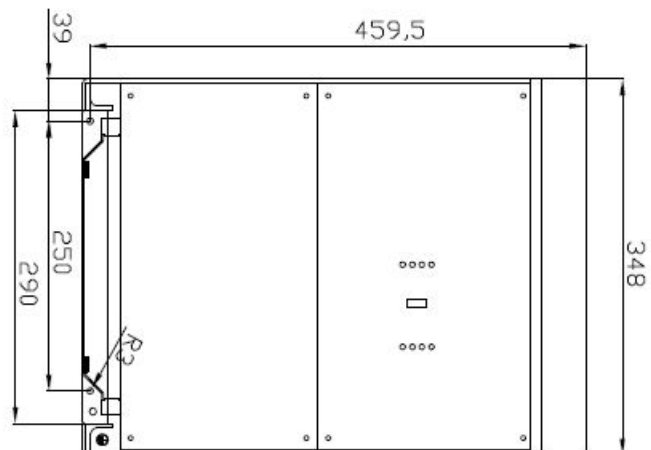
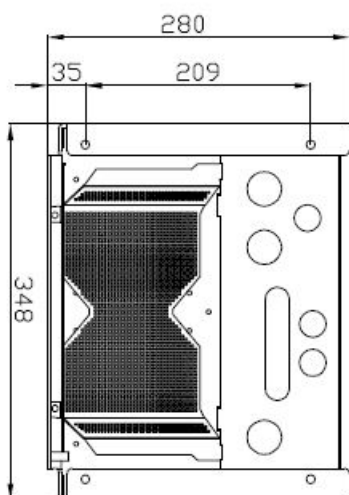
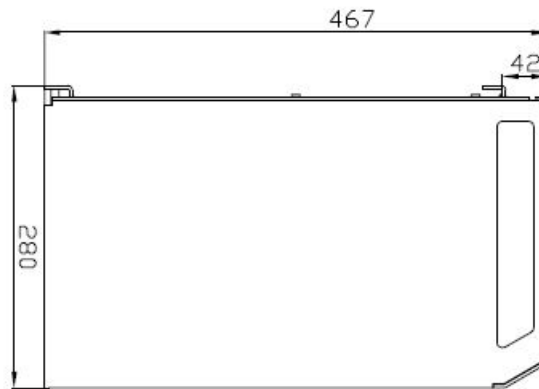
Después de un día de carga flotación, se reduce la tensión de salida a nivel de almacenamiento. Esto es 13,2V resp. 26,4V (para cargadores de 12V y 24V). Esto mantendrá la pérdida de agua al mínimo, cuando la batería se almacene para la temporada de invierno.

Tras un periodo de tiempo que puede ajustarse (por defecto = 7 días), el cargador entrará en modo "Repeated Absorption" (absorción repetida) durante un periodo de tiempo que se puede ajustar (por defecto = 1 hora) para "refrescar la batería.

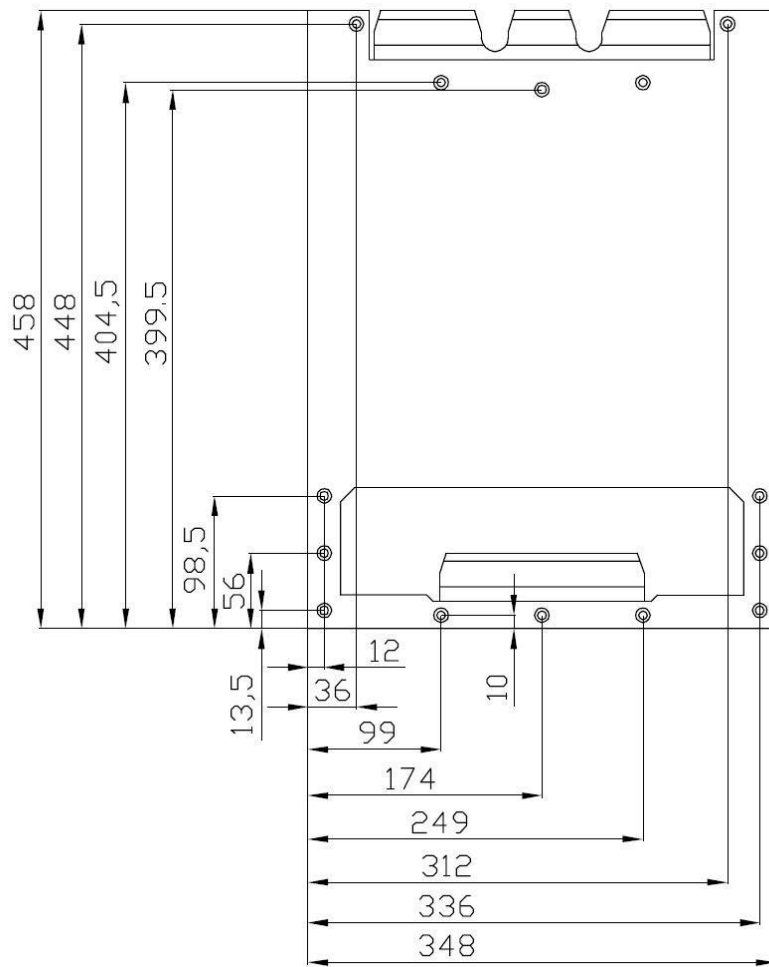
APPENDIX F: Temperature compensation
APÉNDICE F: Compensación de temperatura



APPENDIX G: Dimensions
APÉNDICE G: Dimensiones



Dimensions wall mounting plate



Victron Energy Blue Power

Distributor:

Serial number:

Version : 16a
Date : October 13th, 2017

Victron Energy B.V.
De Paal 35 | 1351 JG Almere
PO Box 50016 | 1305 AA Almere | The Netherlands

General phone : +31 (0)36 535 97 00
Fax : +31 (0)36 535 97 40
E-mail : sales@victronenergy.com

www.victronenergy.com