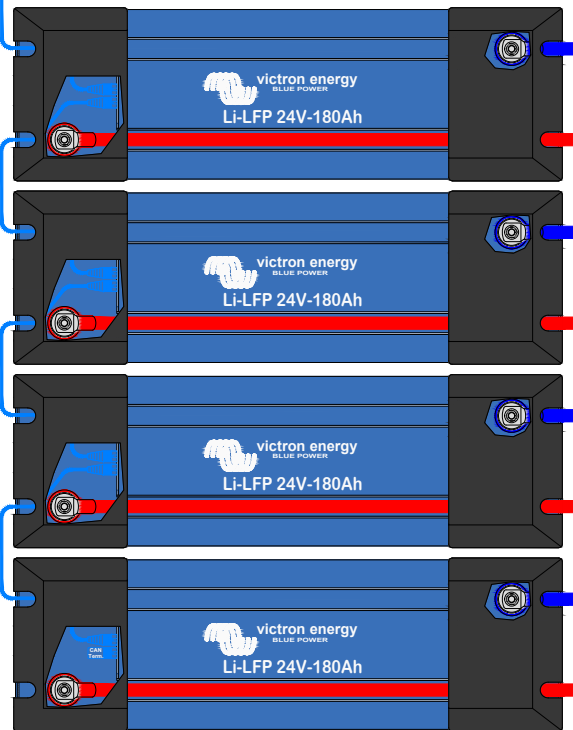
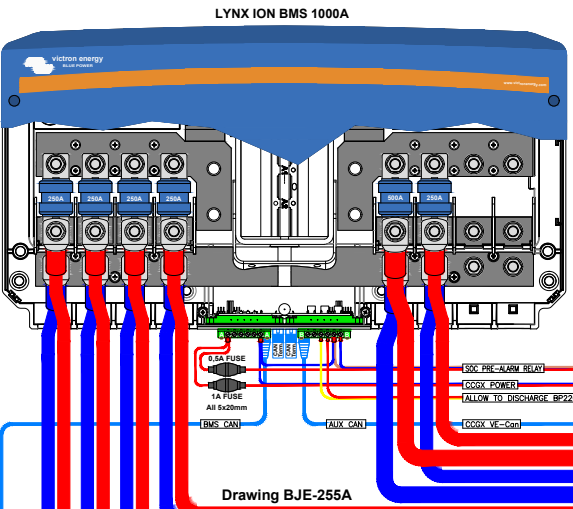
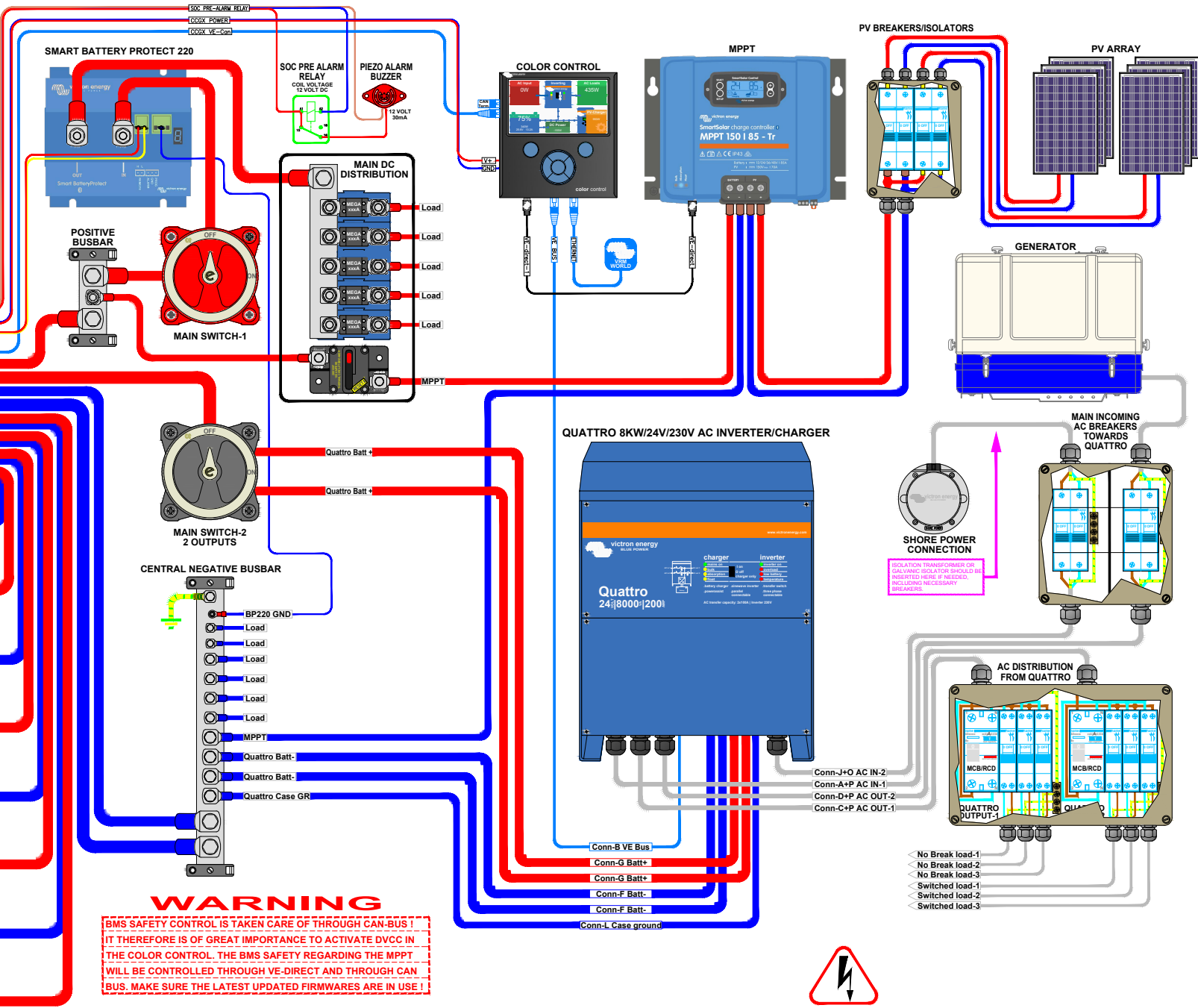


THE SOC PRE-ALARM WILL SIGNAL AN ALARM BEFORE THE LOADS ARE BEING DISCONNECTED REGARDING TEMPERATURE OR VOLTAGE ISSUES, AN AUDIBLE ALARM AS PER THIS DRAWING, WILL WARN USERS TO TAKE PREVENTIVE MEASURES.



KEEP POSITIVE BATTERY CABLES ALL AT THE SAME LENGTH !!!
KEEP NEGATIVE BATTERY CABLES ALL AT THE SAME LENGTH !!!



WARNING
BMS SAFETY CONTROL IS TAKEN CARE OF THROUGH CAN BUS !!! IT THEREFORE IS OF GREAT IMPORTANCE TO ACTIVATE DVCC IN THE COLOR CONTROL. THE BMS SAFETY REGARDING THE MPPT WILL BE CONTROLLED THROUGH VE-DIRECT AND THROUGH CAN BUS. MAKE SURE THE LATEST UPDATED FIRMWARES ARE IN USE !!!

Recommended AC Out-2 cable/breaker size Quattro
AC Out-2 only is available when power is present on AC IN-1 or AC IN-2. During battery operation it will be disconnected. AC Out-2 supports up to 50A and is adjustable. An Earth leakage with breaker or a combination MCB/RCD must be installed on the output. Cable size must be adjusted accordingly.

Recommended AC Out-1 cable/breaker size Quattro
With Power assist the Quattro can add 8kW to the output load when needed. Together with the adjustable 100A input this all adds up to the max sum of input and output current of 100-35+135A. An Earth leakage with breaker or a combination MCB/RCD must be installed on the output. Cable size must be adjusted accordingly.

Recommended DC cable/fuse size Quattro
0-5 m cable length: 4 x 70Smm
5-10 m cable length: 4 x 120Smm
Cable length stands for the distance between the battery connections and the Quattro connections !!! Recommendations are without other loads in the system and these also should be taken into account for proper main battery, main fuse & main switch cables !!!
Fuse size should be 1 x 500A or 2 x 250A

Recommended AC IN-1 & AC IN-2 cable/breaker size Quattro
AC IN-1 & AC IN-2 both must be protected by a circuit breaker rated at 100A max or less. This depends heavily on the size of the connected power source. The input currents must be adjusted to fit the size of the connected power source. The breaker and cable size for both AC IN-1 & AC IN-2 should be adjusted accordingly.

WARNING
230 VOLT IS EXTREMELY HAZARDOUS DO NOT TOUCH ANY LIFE WIRED PARTS OF THE INSTALLATION !!! WHEN IN DOUBT, ALWAYS CONSULT YOUR VICTRON DEALER !!!

- < No Break load-1
- < No Break load-2
- < No Break load-3
- < Switched load-1
- < Switched load-2
- < Switched load-3

