



victron energy
B L U E P O W E R

Instructions for the Victron Energy MONITORING PANEL with DIGITAL MULTI CONTROL PANEL (DMC) and BATTERY MONITOR BMV-602

This publication or parts thereof, may not be reproduced in any form, by any method, for any purpose. For conditions of use and permission to use this manual for publication in other than the English language, contact Victron Energy B.V.

Victron Energy B.V. reserves the right to revise and improve its products as it sees fit. This publication describes the state of this product at time of its publication and may not reflect at all times in the future.

Introduction

The MONITORING PANEL with integrated Digital Multi Control Panel and Battery Monitor BMV - 602 is a device that:

- Monitors your battery status (battery voltage and current) and calculate the actual state of charge of your battery
- Monitors and signals AC voltage of three sources (shore, generator and inverter)
- Monitors inverter current to the AC consumer
- is a remote panel designed to work with all Multis/Quattro's and Multi/Quatro systems.

Operation

Installation

- **WARNING!** Be sure that all AC power sources are switched off or disconnected during installation.
- Install the MONITORING PANEL in a dry, well ventilated area. The front of the panel is attached using the four supplied screws. The MONITORING PANEL may be mounted in the wall, using the four holes in the front of the panel.
- The input cables from the shore, generator, inverter, digital multi control and battery monitor should be connected according to the the wiring diagram (see figure 1). The correct wire cross section must be applied for a safe installation. Under sized cables can cause overheating of the cables.
- Tighten all connections well in order to limit transition resistance as far as possible. Loose connections can cause dangerous overheating of the terminals.
- Adjustment of the MONITORING PANEL is not recommended. After correct installation the MONITORING PANEL is ready for use.



victron energy

B L U E P O W E R

- The wiring to the AC-inputs and outputs must be protected by fuses or miniature circuits breaker which are suitable for the applied wire cross section. External earth leakage switches(RCD, RCCB) must also be integrated in the wiring
- All ground connections of the power sources and power consumers must be connected to the central ground connection of the ship
- To connect Digital Multi control panel see user and installation manual
- To connect Battery monitor BMV-602 see user and installation manual

Transport and storage

- When storing or transporting the product , make certain that mains power and battery leads are disconnected
- No liability can be accepted for any transport damage when equipment is shipped in non-original packaging
- Store the product in a dry location, storage temperature must be between - 20°C and + 60°C.
-



victron energy

B L U E P O W E R

Specifications

VE MONITORING PANEL	
Nominal voltage	200 - 250 V AC, Single phase
Nominal frequency	50 – 60 Hz
Input 1, Shore voltage	200 - 250 V, AC
Input 2, Generator voltage	200 - 250 V, AC
Input 3, Inverter output voltage	200 - 250 V AC
Current transformer (CT)	50/5 A, 2 VA
Power supply	12 V, DC
GENERAL	
Operating temperature	-5°C to + 60°C
Humidity (non condensing)	Max. 95 %
Miniatur circuit breaker (MCB)	Not included – installation dependent
Earth leakage breakers (RCD)	Not included – installation dependent
ENCLOSURE	
Protection category	IP 20
Color	RAL 7035
Dimension h x w x d (mm)	213 x 150 x 75
Weight (kg)	0,985

Contents:

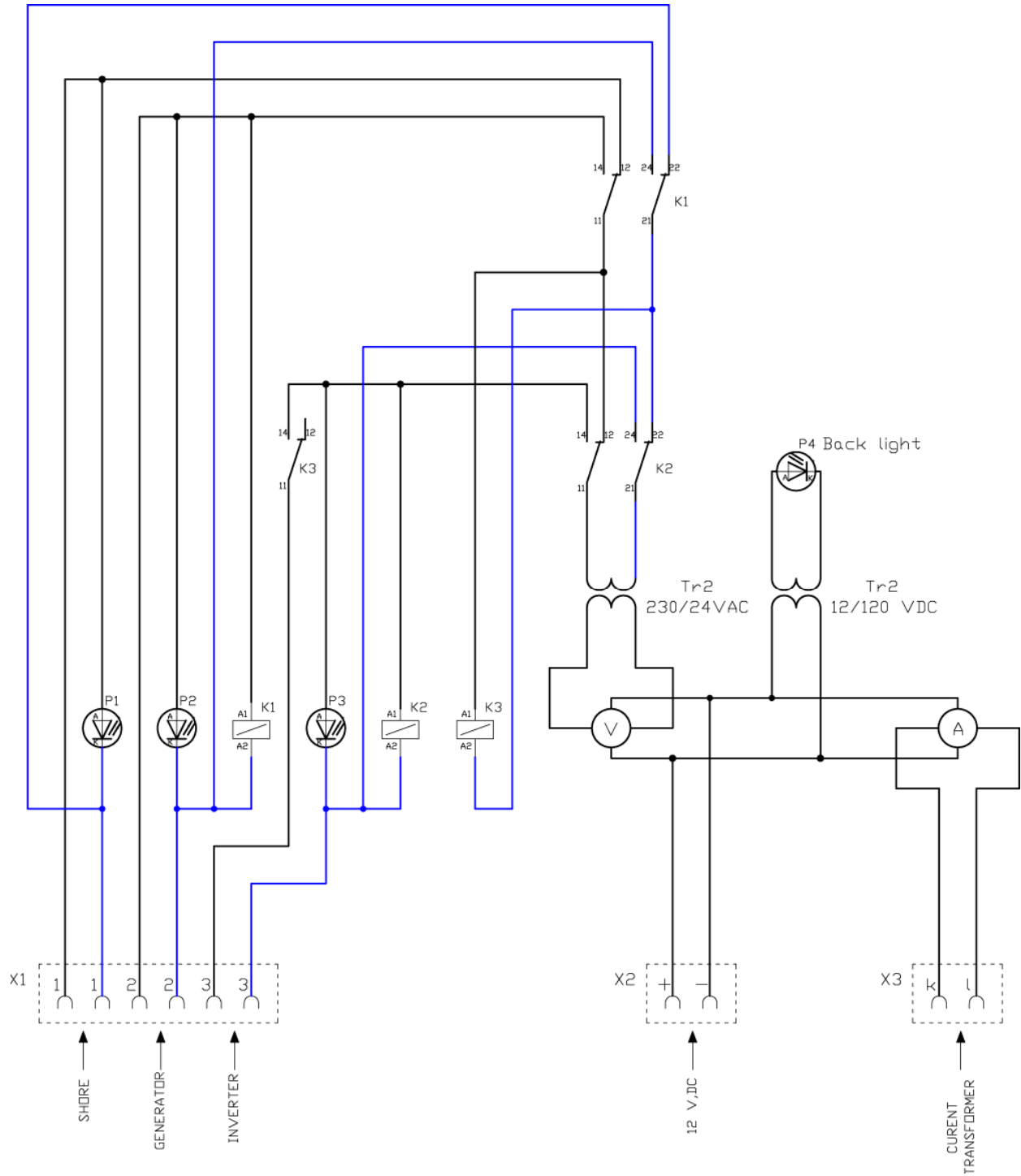
- Monitoring panel 1 piece
- Power supply cable, 1,2 m 1 piece
- Current transformer 50/5 A 1 piece
- CT cable, 10 m 1 piece
- Input 1,2, 3, cable, 1,2 m 1 piece



victron energy

B L U E P O W E R

Electrical and installation diagrams, outline drawings

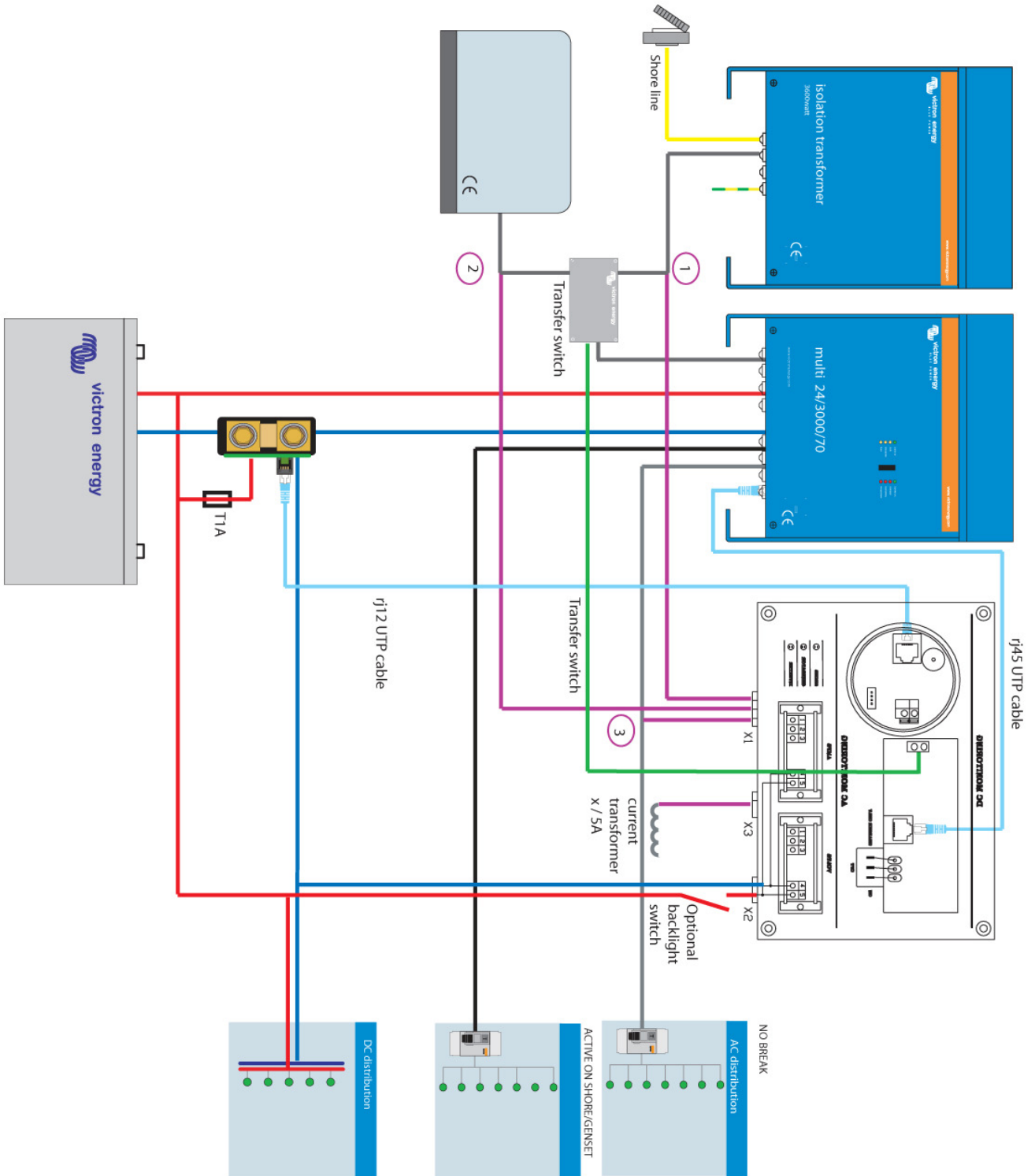




victron energy

B L U E P O W E R

MONITORING PANEL wiring with MULTI PLUS

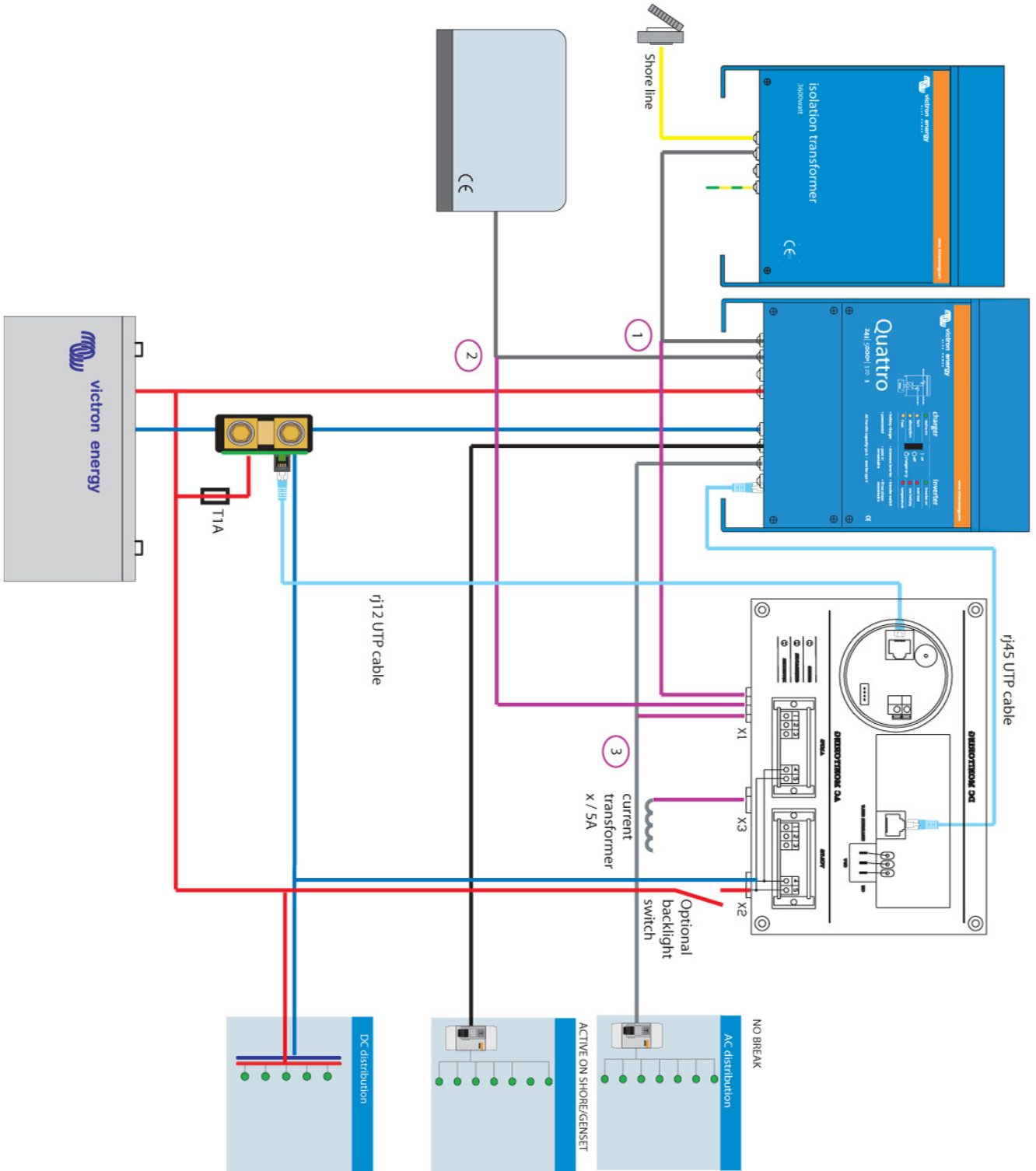




victron energy

B L U E P O W E R

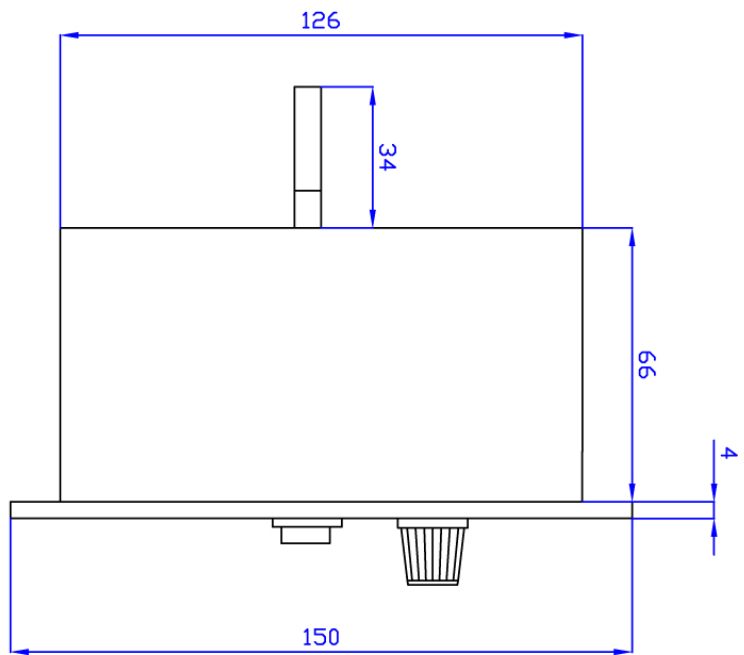
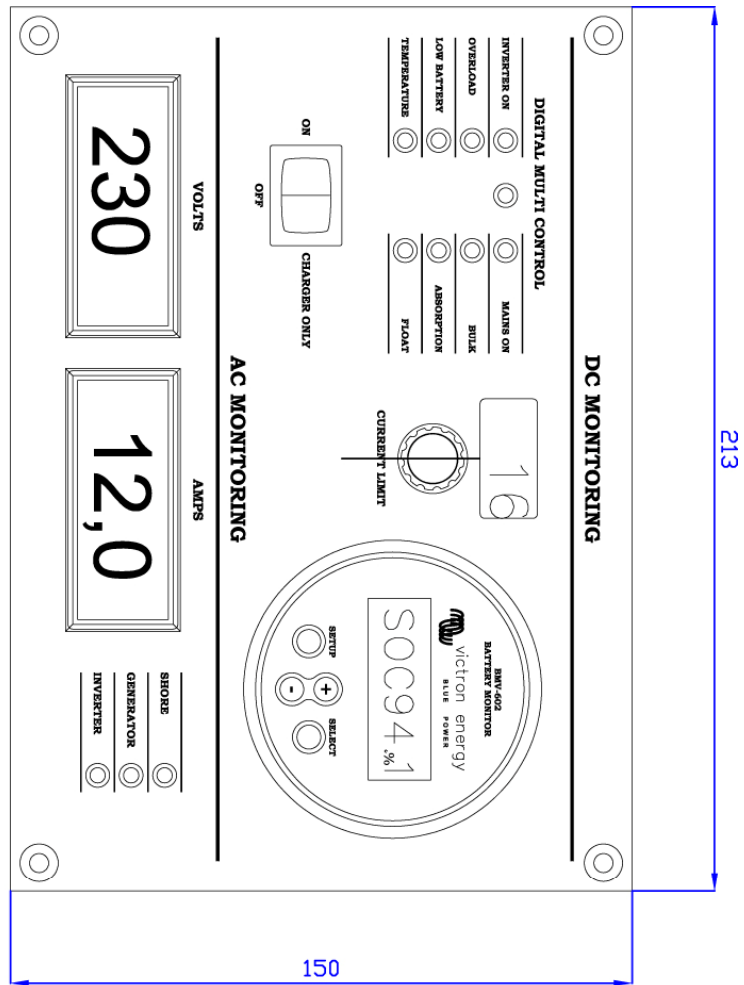
MONITORING PANEL wiring with QUATTRO





victron energy

B L U E P O W E R



All dimensions are in mm!