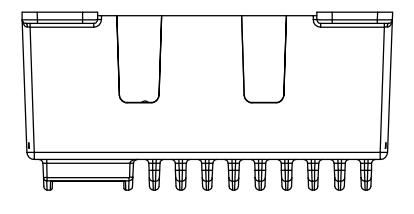
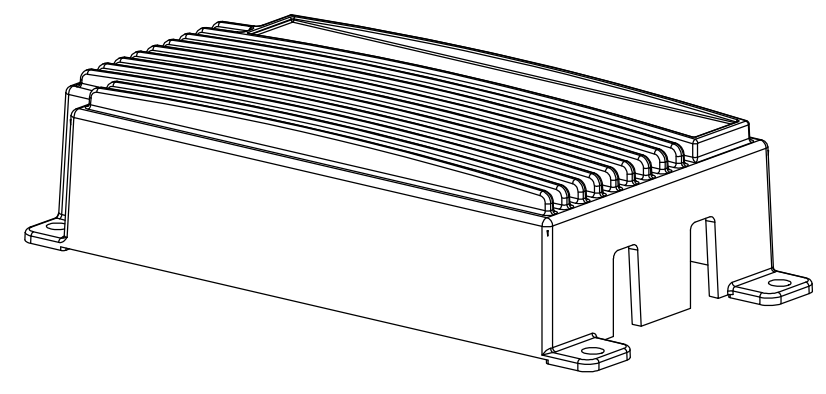
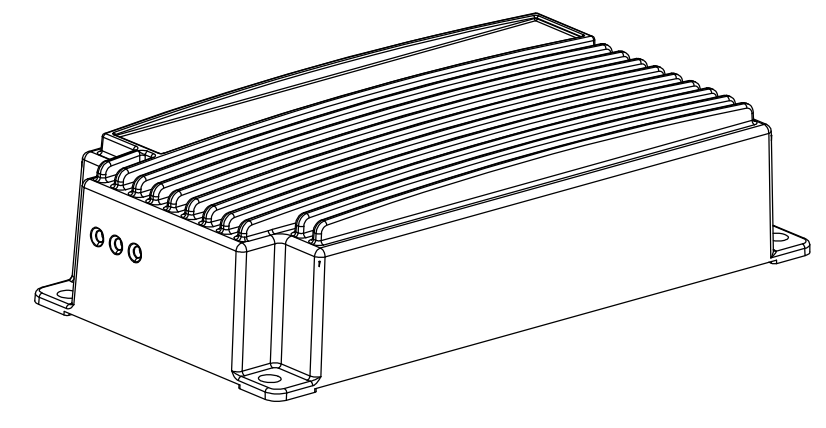
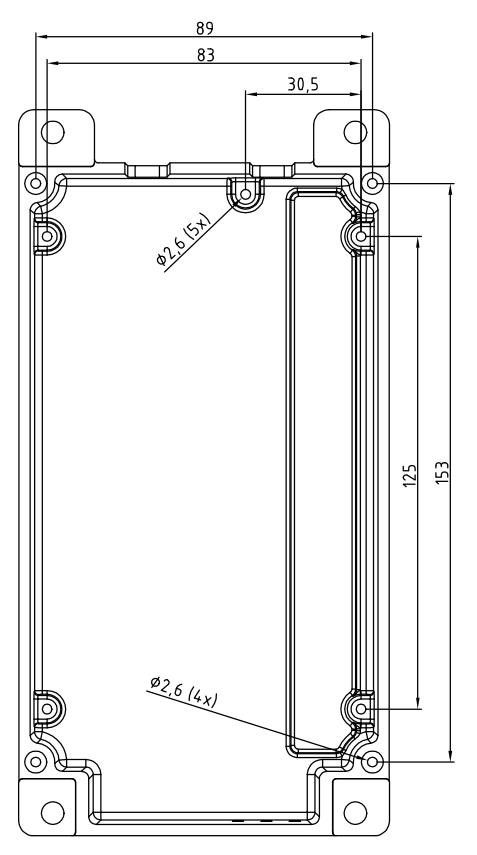
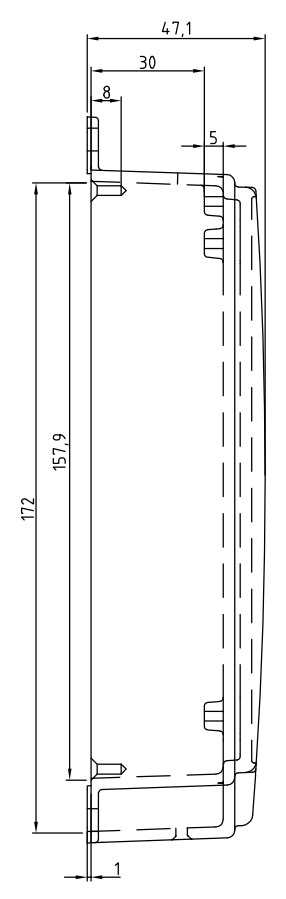
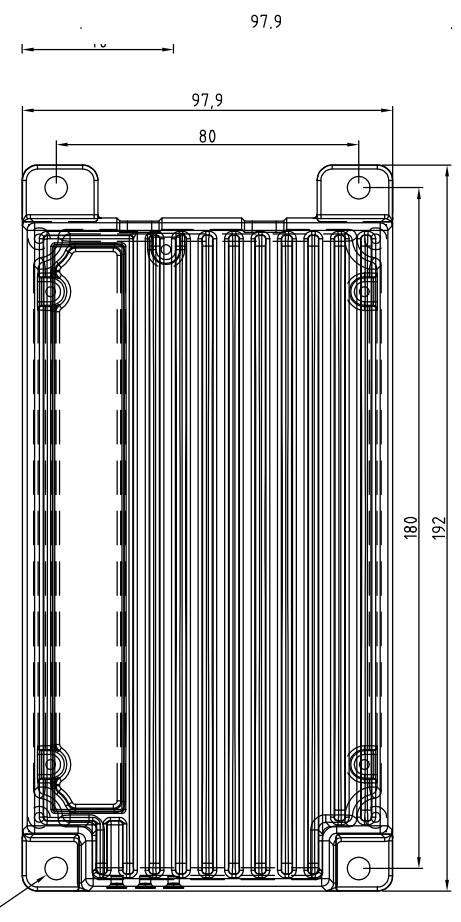
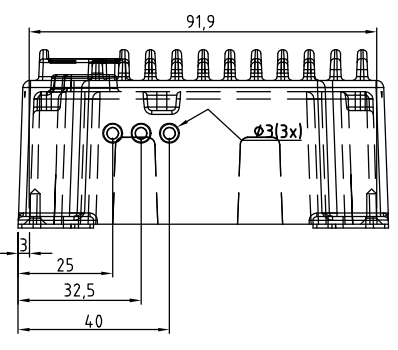


1 2 3 4 5 6 7 8

A
B
C
D
E
F



BPC012017100 - Blue Power 12/17 IP65 Waterproof (1)
 BPC024012100 - Blue Power 24/12 IP65 Waterproof (1)

Size: A3	Scale: 1:2
Sheet: 1/1	Rev.:

1 2 3 4 5 6 7 8