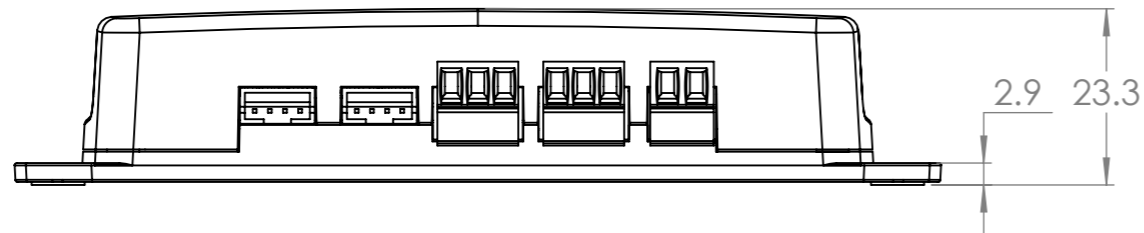
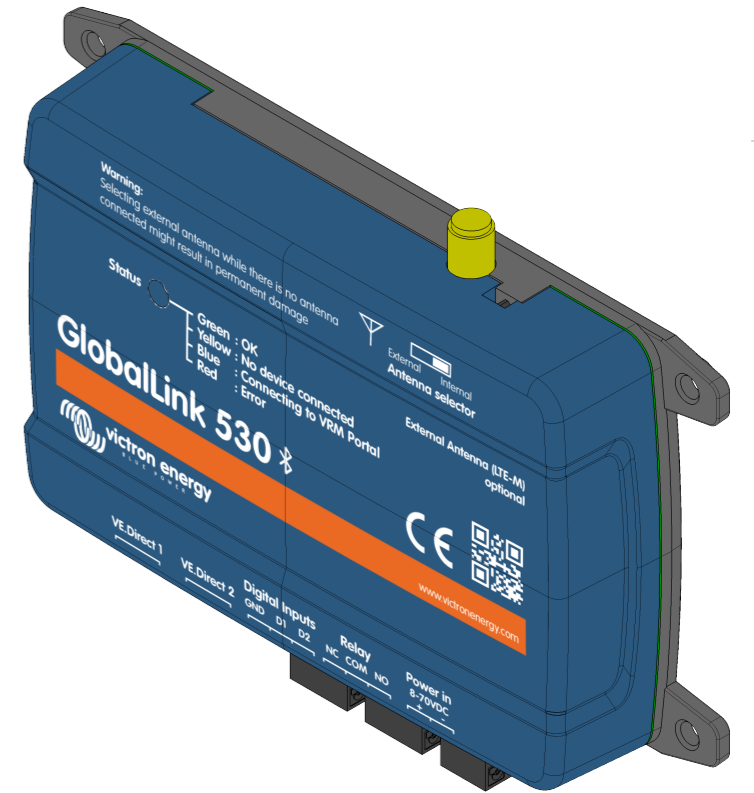
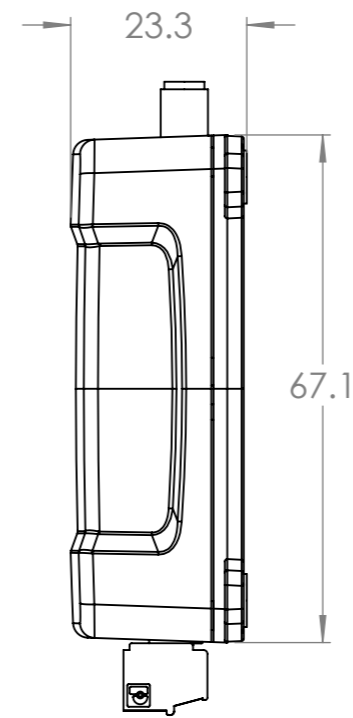
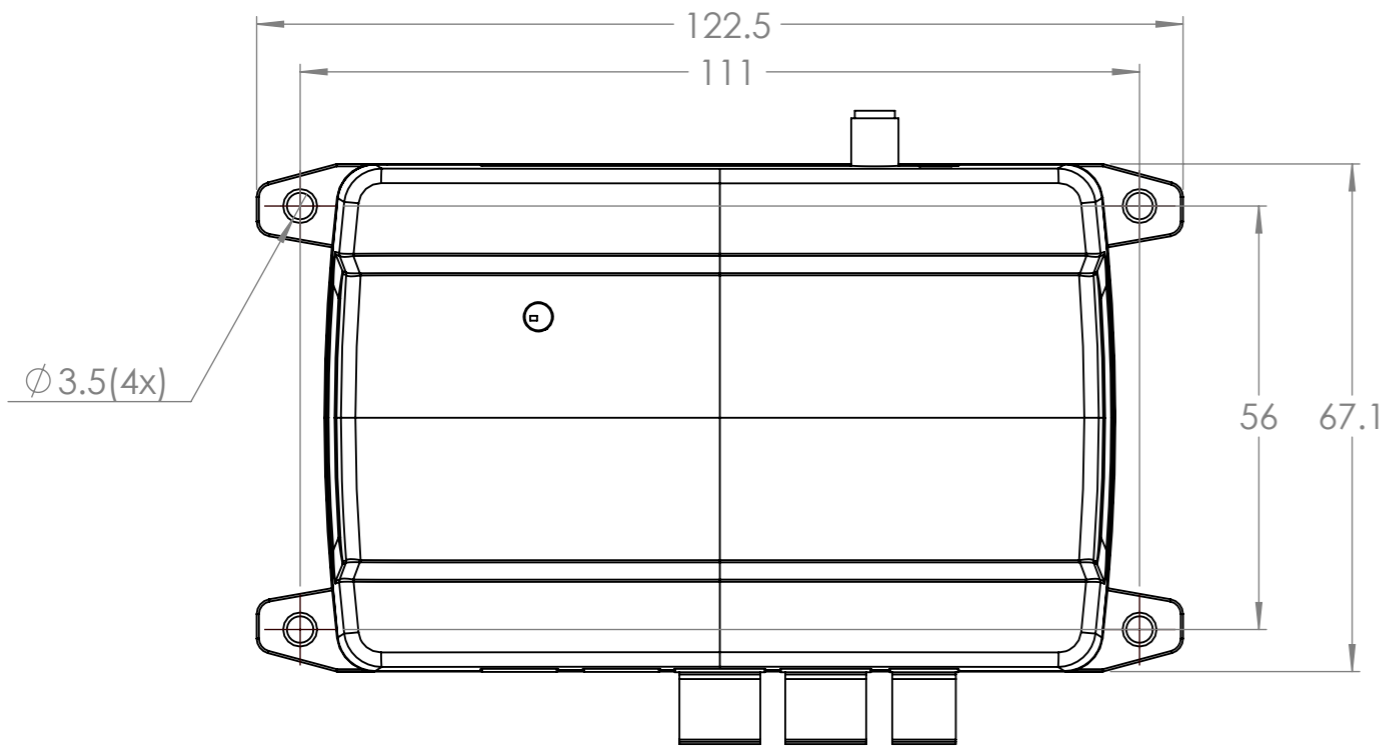
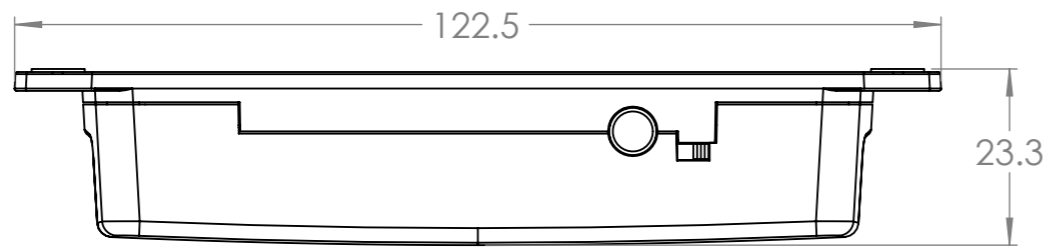


Dimension Drawing - GlobalLink 530

ASS030543030

GlobalLink 530



Dimensions in mm



victron energy
BLUE POWER