



Main screen



History screen



Diagnostics screen 1



Diagnostics screen 2



Lynx Ion Status



Lynx Ion IO

Ion Control

The Ion Control shows all vital data from the Lithium Battery system:

- Battery voltage (V)
- Battery charge/discharge current (A)
- Ampere-hours consumed (Ah)
- State of charge (%)
- Remaining time at the current rate of discharge until the battery has reached 90% discharge
- Visual alarm: almost charged, almost discharged

It will also show the following historic values:

- The depth of the deepest discharge
- The cumulative number of Amp hours drawn from the battery
- The minimum battery voltage
- The maximum battery voltage
- The minimum cell voltage
- The maximum cell voltage

The diagnostic data displayed is:

- Software versions of the system components
- Total number of automatic system shutdowns, caused by an error
- Last four errors that occurred in the system

Using multiple Ion Controls

Multiple Ion Controls can be installed to monitor a single Lithium Battery System. All Ion Controls will display the same data. It is recommended, when more than one Ion Control is installed, to use an external network power source due to the limited capacity of the Lynx Shunt's power supply.

ELECTRICAL	
Power supply voltage range	10 – 32V DC No need for an external power supply. Power is supplied on the VE.Can by the Lynx Shunt
Power consumption	130mA at 12VDC
Audible Alarm	4kHz Internal sounder
Connections	Integral Deutsch 12 way connector (DT04-12PA)
Cabling supplied	15cm Deutsch 12 way to Victron RJ45 Canbus connection
Communications	NMEA2000 (expects battery instance 0)
ENVIRONMENTAL	
Operating temperature	-25 to +75°C
Degree of Protection	IP67
Salt Spray	IEC 60068-2-52: 1996
EMC	IEC 61000 and EN 55022
ENCLOSURE	
Material & Colour	Anthracite Grey ABS housing and acrylic lens
Dimensions	110mm x 110mm x 38.5mm deep (without connector)
Depth front mounted	21.5mm forward protrusion, 17mm rear protrusion (without connector)
Panel cut out	64mm diameter hole with 4 mount holes, 4.3mm dia.
Weight	265 grams



Ion Control VE.Can cable assembly (included)



Battery System



Battery Details

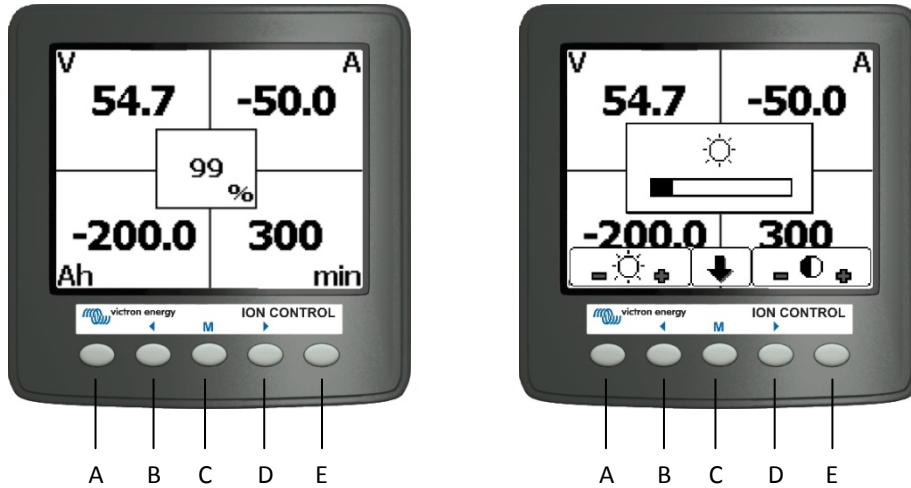


Rear view

Ion Control

www.victronenergy.com

Modes of operation



Browsing

To browse through the screens the keys [D] and [B] are used. Press [D] to continue to the next screen and press [B] to go to the previous screen.

Lighting and contrast

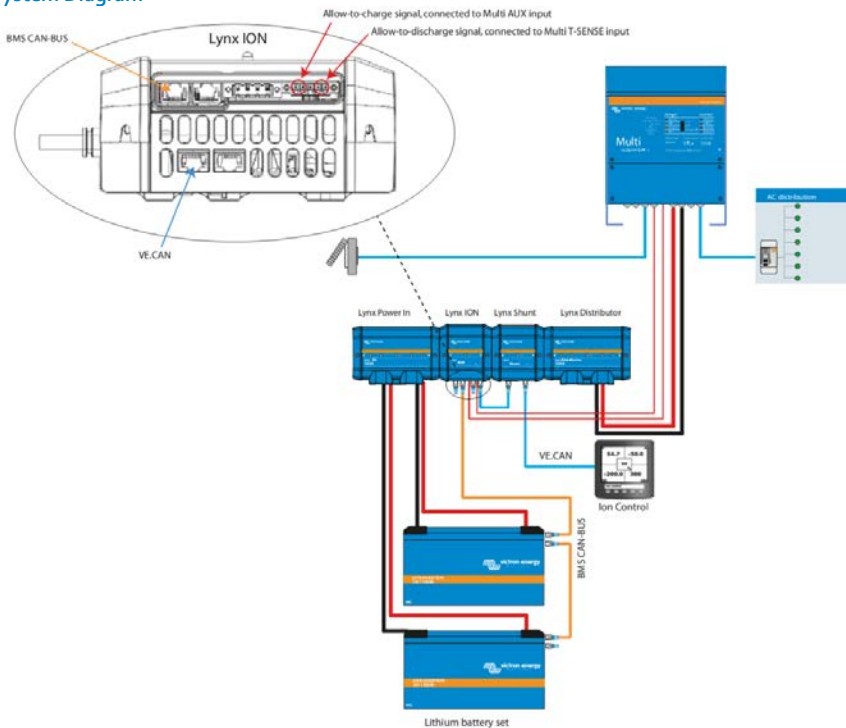
To enter this menu press [C], a pop-up window will appear. To alter the intensity of the backlight use [A] and [B]. The LCD contrast can be changed using [D] and [E].

Pressing [C] will store the settings and exit the menu.

Reset

To reset the Ion Control, press [A] and [E] simultaneously. This feature is introduced in firmware version v1.07.

System Diagram



Ion Control

www.victronenergy.com

