

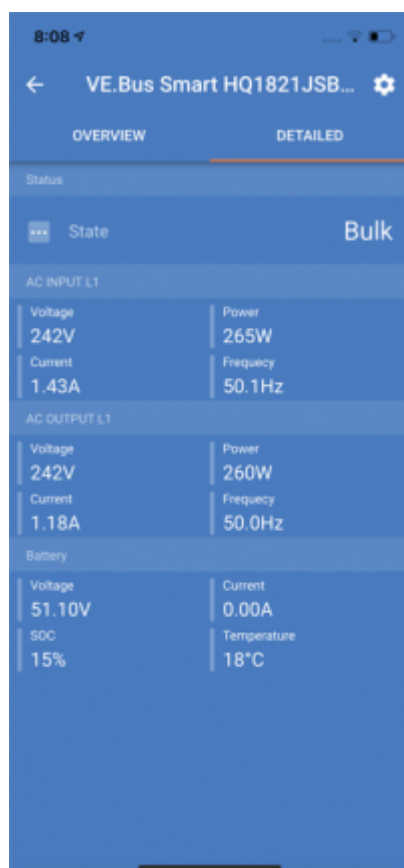
VE.Bus Smart Dongle - manual

Work in progress. This page contains input for the user manual



Introduction

The VE.Bus Smart dongle is a Bluetooth Smart enabled VE.Bus interface, with battery temperature- and-voltage sensing. It communicates system information straight to your smart phone - using the free-to-use [VictronConnect app](#).



When used with Multi- inverter/chargers the dongle provides *on-battery* temperature and voltage sensing capabilities - allowing compensation for possible cable losses which can occur during charging and discharging. Temperature sensing allows accurate temperature-compensation during battery charge cycles. The dongle is, at present, the *only* way to add an “on-battery” sensing capability to the MultiPlus-II models, if they are not also connected to a [Venus-device](#) and CANbus battery.

The dongle can be used in systems with or without a [Venus-device](#) - such as the CCGX. In systems *with* a [Venus-device](#), and another source of temperature and voltage data (eg from a CANbus battery), the CCGX data will override temperature and voltage information from the dongle. In this role the dongle will still provide live-information via its VictronConnect interface; and it will provide firmware updates without requiring an internet connection.

When the dongle is used in systems which *do not* have a [Venus-device](#), the dongle's voltage and temperature data becomes the primary source of that information, and can be used by other connected devices for voltage compensation.

In systems with a Multiplus-II, dongle and [Venus-device](#), but no other source of temperature and voltage, the data from the dongle will also be used.

At this time, the VE.Bus Smart dongle cannot send its temperature and voltage data as part of a [VE.Smart network](#).

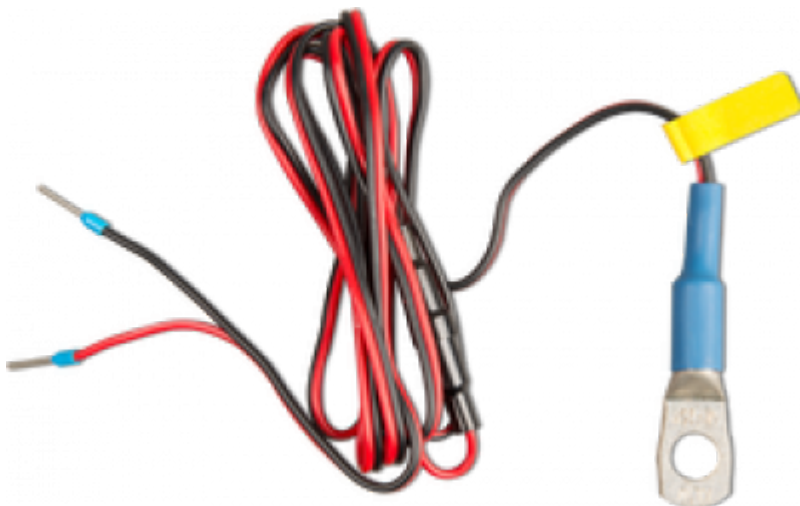
The VE.Bus Smart dongle is able to sense battery temperature in two ways: The default method is the dongle's on-board temperature sensor. When the dongle is mounted directly onto the battery case (using its adhesive attachment) it will sense the battery temperature directly from the battery casing. The second method - which provides improved battery temperature sensing - is available by using an optional *battery-terminal* mounted sensor. When this sensor is connected, the default sensor is overridden and the dongle will use this method instead.

What's in the box

1. VE.Bus Smart Dongle
2. Red battery (+) connection wire with 10mm eyelet and inline fuse.
3. Black battery (-) connection wire with 10mm eyelet
4. Connector block with screw terminals.

Optional accessories :

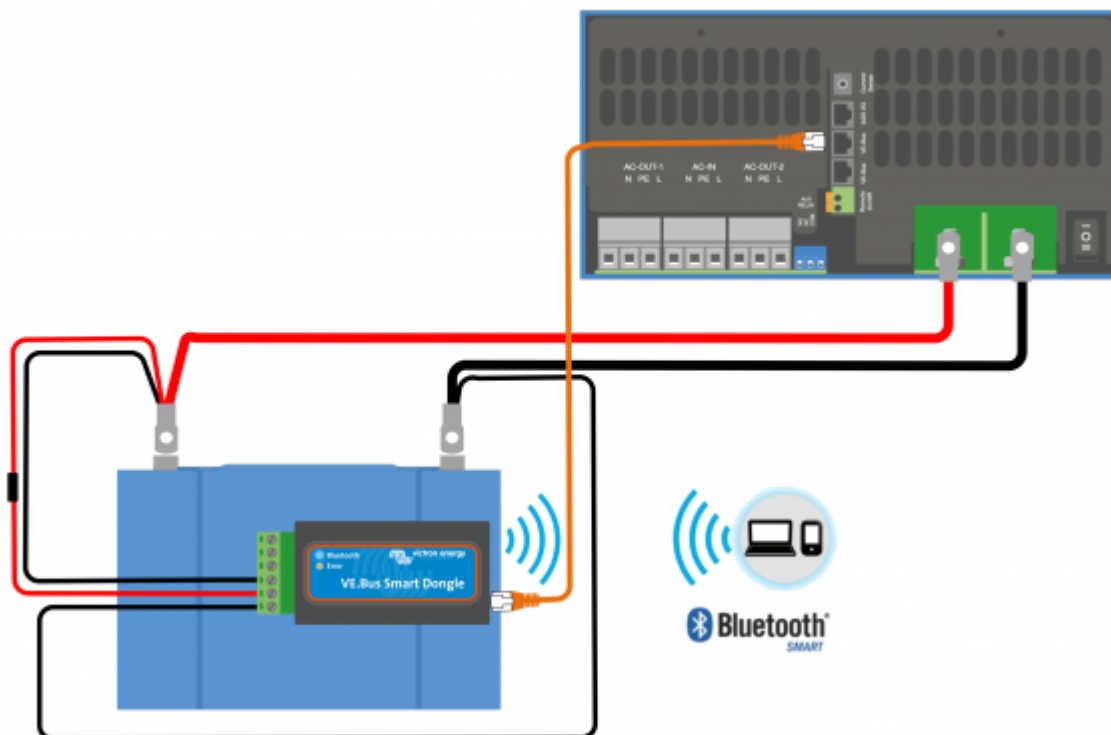
1. External battery-terminal mounted temperature sensor ([ASS000100000](#)). (*NOTE: Currently the temperature sensor is shipped with a label "CAUTION: BMV702 only!". This caution can be ignored for the VE.Bus Smart dongle*)



Installation

Installation without battery sensor:

1. Connect the red connection wire to the B+ input on the connection block
2. Connect the black connection wire to the B- input on the connection block
3. Connect the two eyelets to your battery terminals. Red wire eyelet on bat+ , black wire eyelet on bat-
4. For battery temperature sensing, mount the dongle on or near the battery using the dongle's adhesive mounting. If mounted near the battery, screws can be used.
5. Plug the connector block into the dongle.
6. Connect the dongle to the Multi's Ve.Bus interface, using a standard RJ45 UTP cable



Installation with battery terminal temperature sensor:

The battery temperature sensor replaces the included red battery(+) connection wire.

1. Connect the temperature sensor's red connection wire to the B+ input on the connection block
2. Connect the temperature sensor's black connection wire to the T- input on the connection block
3. Connect the black connection wire to the B- input on the connection block
4. Connect the two eyelets to your battery terminal. Red wire eyelet on bat+ , black wire eyelet on bat-
5. Mount the dongle on or near the battery using the dongle's adhesive mounting. If mounted near the battery, screws can be used.
6. Plug the connector block into the dongle.
7. Connect the dongle to the Multi's Ve.Bus interface, using a standard RJ45 UTP cable

System requirements

Multi firmware versions before 415 are not supported

Function	Minimum Multi firmware version	Note
Battery voltage and temperature sense	419	
Input current limit and on/off/charger only control	415	Not supported when a DMC and/or VeBus BMS is installed

LED Status codes

Ve.Bus Smart has two LEDs: a Bluetooth status LED (blue), and an Error LED (red).

On power-up, the Bluetooth LED will be slow-blinking - indicating that the device is ready to accept a Bluetooth connection.

If both LEDs remain illuminated, something is wrong with the *Ve.Bus Smart* unit (Hardware error).

When the LEDs are alternating quickly for more than 30 seconds, the *Ve.Bus Smart* is in firmware update mode and will need to complete the update before it can be used. Firmware updates are performed (where necessary) after connecting to VictronConnect.



Blue LED	Red LED	Ve.Bus Smart dongle state	Connection State	Remark
On	On	Not functional	Disabled	Hardware error. <i>Ve.Bus Smart</i> will not be visible in <i>VictronConnect</i> and it will not transmit battery temperature and voltage data to the <i>Multi</i>
Slow blinking	Off	Operational	Not connected	
On	Off	Operational	Connected	
Fast blinking	Fast blinking	Firmware update	Not connected	Red and Blue LED Alternating
On	Slow blinking	Firmware update	Connected	
On	Faster blinking	Firmware update	Uploading	
Fast blinking	Off	Firmware update	Programming	

Modes of operation

The dongle can operate both as a *primary* and a *background* information source. It will assume either role automatically depending on whether a [Venus-device](#) (CCGX/VenusGX/OctoGX) is present in the system.

Due to restrictions in the VE.Bus communication protocol only one device can access data such as power readings.

A [Venus-device](#) has priority over the dongle and should always be able to access all data. When power is applied to the dongle - or after a firmware update - the dongle will startup in *background* mode. VE.Bus communication ports will be monitored for 30 seconds. If during this time no [Venus-device](#) is detected the dongle will switch to *primary* mode, and all supported data will be available. While switching modes *VictronConnect* will temporarily indicate an "unknown" VE.Bus state. The dongle continuously monitors [Venus-device](#) activity on the VE.Bus. As soon as a [Venus-device](#) is detected it will switch itself to *background* mode.

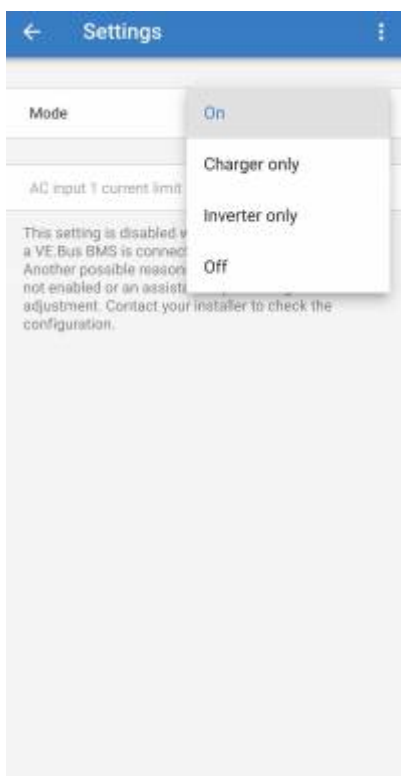
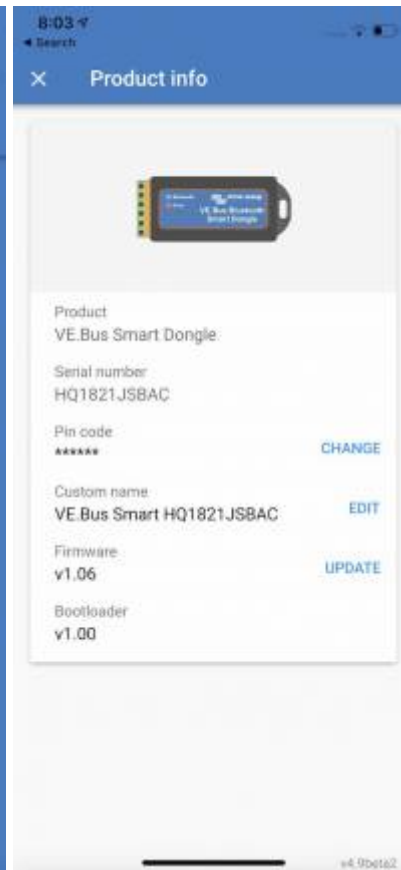
Likewise, the dongle also monitors VE.Bus communication in order to discover if a [Venus-device](#) is supplying the *Multi* with battery voltage and temperature data. It takes around 4 minutes after power on, or reset, before the dongle decides whether or not to transmit the battery voltage and temperature.

When no *Multi* is connected *VictronConnect* will list the 'VE.Bus Smart Dongle' in the device list. In this case the dongle can be used as a Voltage/Temperature sensor.



It takes a bit of time before a Multi is detected. When the dongle detects a Multi, *VictronConnect* will identify the Multi in the Device list. Shortly after updating the firmware in *VictronConnect* only the dongle will show up in the device list. If connected, a re-scan will reveal the *Multi*.

Victron Connect Screenshots



Troubleshooting

See both the [VictronConnect manual](#) and the [VE.Smart Network manual](#).

From:

<https://www.victronenergy.com/live/> - **Victron Energy**

Permanent link:

https://www.victronenergy.com/live/vebus_smart_dongle_manual

Last update: **2019-02-22 12:38**

