

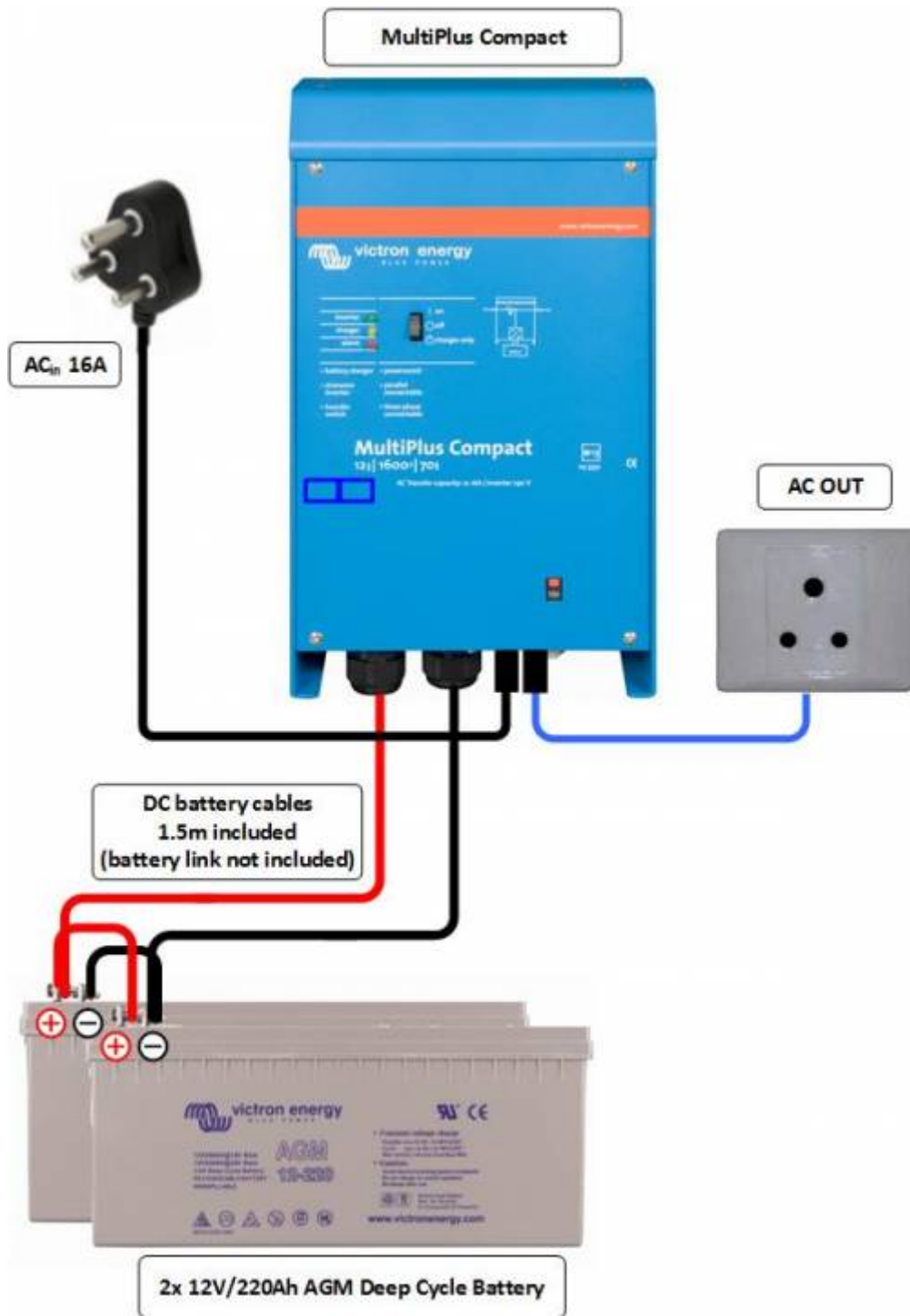
MultiPlus DC-Solar 1600VA / 12 volt

Introduction

Short story

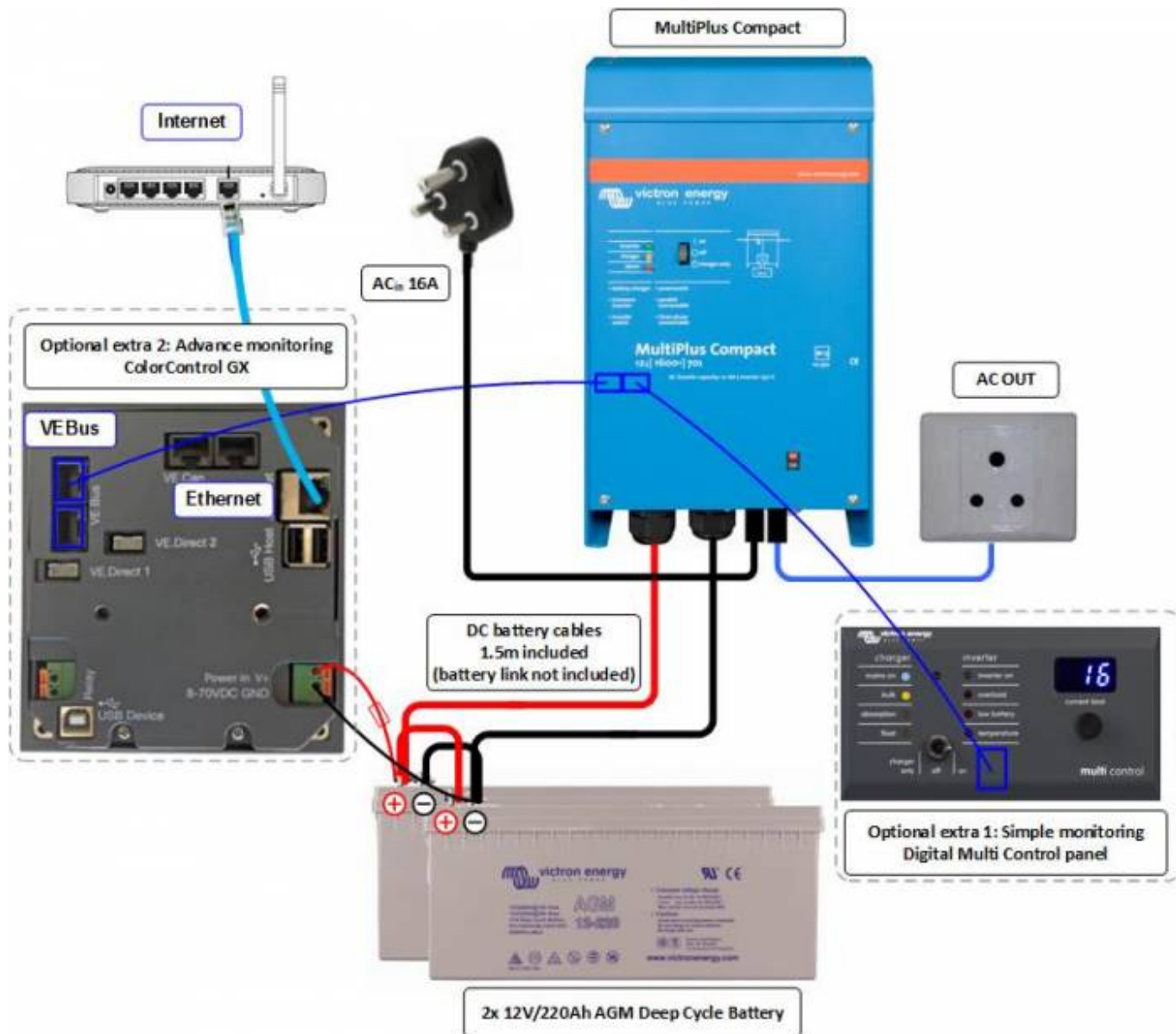
Parts

- 1x - CMP121620000 - [MultiPlus Compact 12/1600/70-16 230V VE.Bus Inverter/Charger](#)
- 1x - SCC010050200 - [BlueSolar MPPT 100/50 \(12/24V-50A\)](#)
- 2x - BAT412201080 - [12V/220Ah AGM Deep Cycle Battery](#)
- or - BAT412201100 - [12V/220Ah Gel Deep Cycle Battery](#)
- 2x - Battery link cables



optional

- DMC000200000R - Digital Multi Control 200/200A GX (90° RJ45) Retail
- BPP000300100R - Color Control GX Retail



How long is the backup time?

Explain what it solves:

- Load shedding period: High power 1000W DoD 50% SoC about 2 hours
- At night: Low power 250W DoD 50% SoC about 8 hours

Notes for batteries:

- We recommend deep-cycle GEL or AGM batteries. At least 200Ah per block.
- Cable cross section: xxxx mm² MCO: welke mm² / stroom rating welke lengte

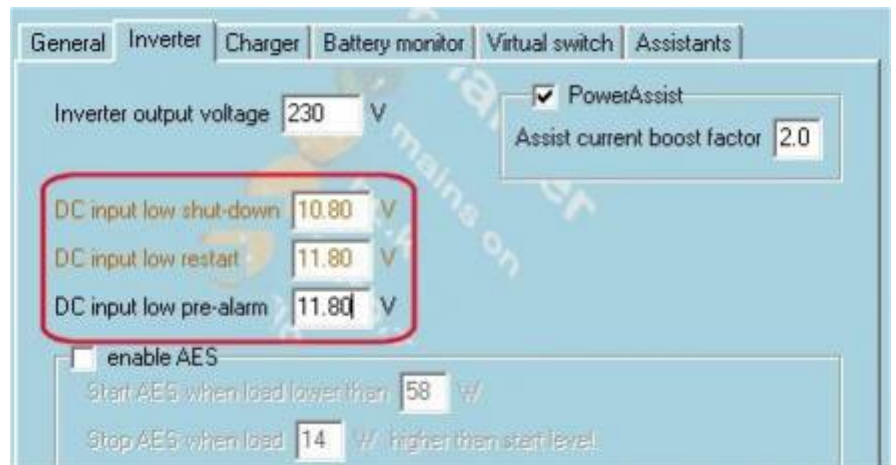
VE.Configure Settings

plaatjes toevoegen!!

software download VE.Configure Updating VE.Bus products

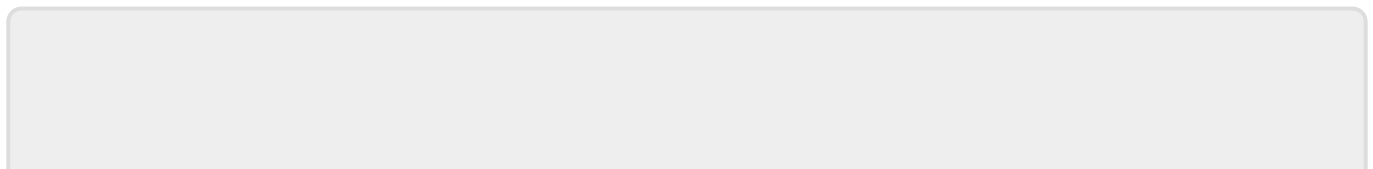
settings:

- Disable overrule by remote
- Change DC input low shutdown to 10.8 volts
- Change DC input low restart to 11.8 volts
- Change DC input low pre-alarm to ??? volts
- Charge current can be left at standard setting.
- Enable battery monitor and set correct Battery capacity



DISQUS Comments

~~DISQUS~~



From:
<https://www.victronenergy.com/live/> - **Victron Energy**

Permanent link:
https://www.victronenergy.com/live/drafts:sa_system:dc solar1600-mp?rev=1428064479

Last update: **2015-04-03 14:34**

