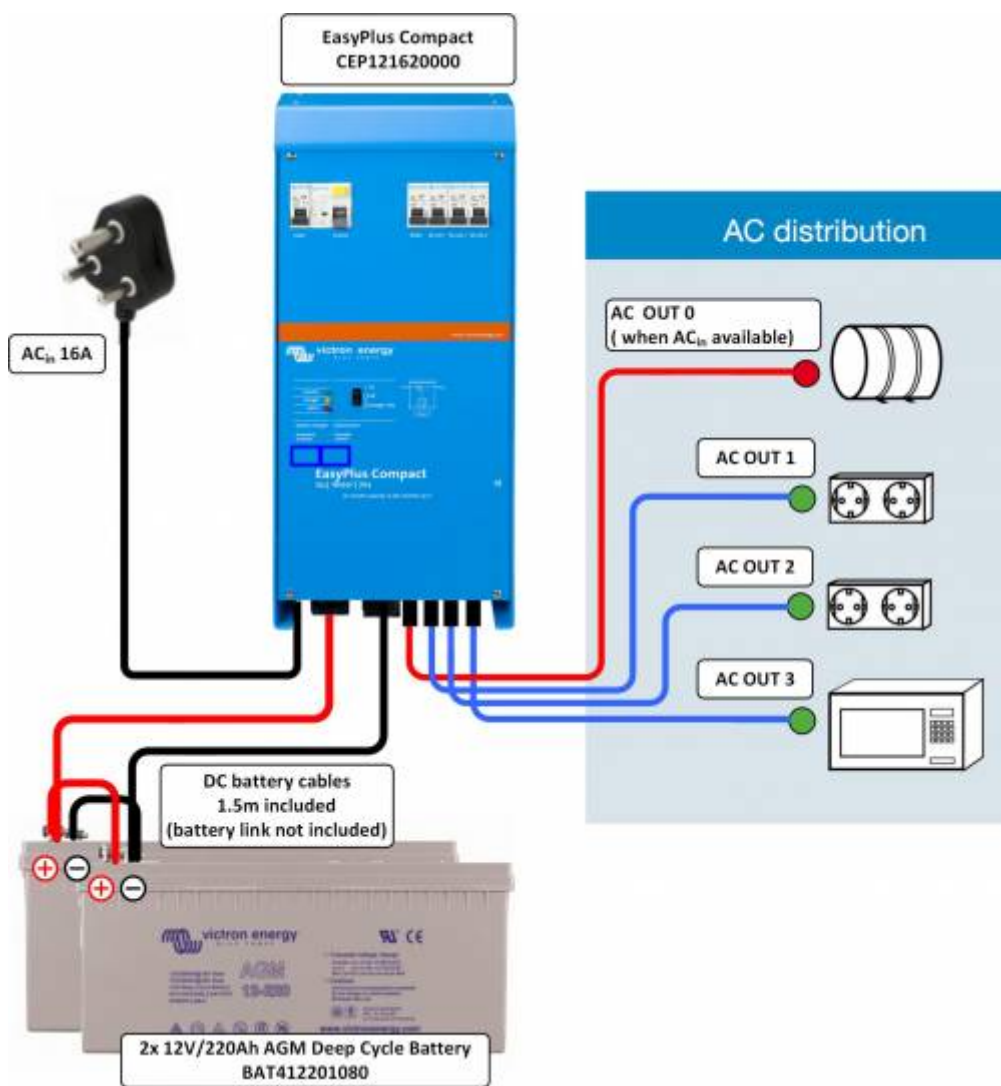


# Backup only 1600VA / 12 volt

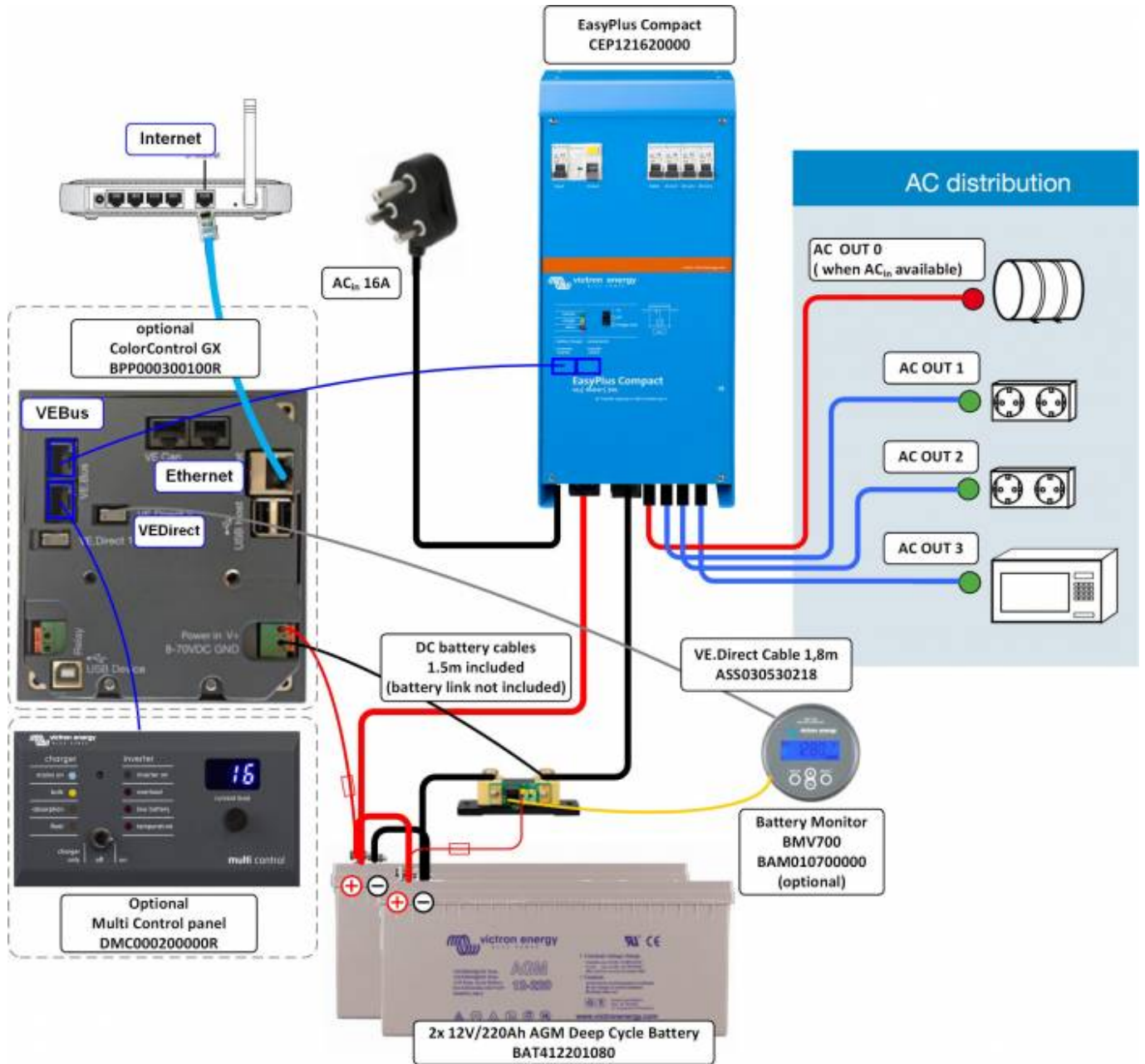
## Parts

- EasyPlus Compact 12/1600/70-16 230V Inverter/Charger combi: CEP121620000
- Batteries: 2 pieces 12V/220Ah AGM Deep Cycle Battery: BAT412201080
- or 2 pieces 12V/220Ah Gel Deep Cycle Battery: BAT412201100



## optional

- Digital Multi Control 200/200A GX (90° RJ45) Retail: DMC000200000R
- Color Control GX Retail: BPP000300100R
- Battery Monitor BMV700: BAM010700000



### How long is the backup time?

Explain what it solves:

- Load shedding period: High power 1000W DoD 50% SoC about 2 hours
- At night: Low power 250W DoD 50% SoC about 8 hours

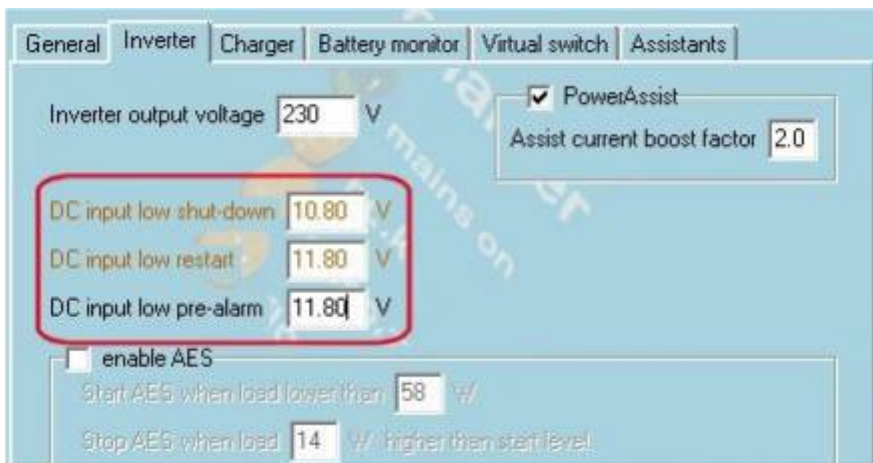
### Notes for batteries:

- We recommend deep-cycle GEL or AGM batteries. At least 200Ah per block.
- Cable cross section: xxxx mm<sup>2</sup> MCO: welke mm<sup>2</sup> / stroom rating welke lengte

### VE.Configure Settings

plaatjes toevoegen!!

- Disable overrule by remote
- Change DC input low shutdown to 10.8 volts
- Change DC input low restart to 11.8 volts
- Change DC input low pre-alarm to ???.? volts
- Charge current can be left at standard setting.
- Enable battery monitor and set correct Battery capacity



## DISQUS

~~DISQUS~~

From: <https://www.victronenergy.com/live/> - **Victron Energy**

Permanent link: [https://www.victronenergy.com/live/drafts:sa\\_system:backup1600?rev=1548148578](https://www.victronenergy.com/live/drafts:sa_system:backup1600?rev=1548148578)

Last update: **2019-01-22 10:16**

