

# Wireless AC Sensor manual

## Introduction

The Wireless AC sensors are used to measure and calculate PV Inverter current (A), voltage (V), power (W) and energy (kWh), and show it on a [Color Control GX](#) and the [VRM Portal](#). An installation will have one gateway, and one sensor per phase. The gateway connects to the Color Control via Ethernet, and is the DECT hub for the sensors.

## Required hardware

- TIM000100100 - Wireless AC sensor 25A (one for each phase)
- TIM000100000 - Wireless Sensor gateway (one for every system)

Included with the gateway:

- RJ45 cable 30cm
- AC adapter

Note that instead of powering the Wireless Sensor gateway with the AC adapter, it is also possible to power it from one of the USB ports in the Color Control GX. Purchase a separate male Micro-USB to male USB cable, not available from Victron Energy. Note that, due to CCGX-USBport power limitations, this cannot be combined with also powering a USB-GPS, USB-WiFi or not separately powered USB hub.



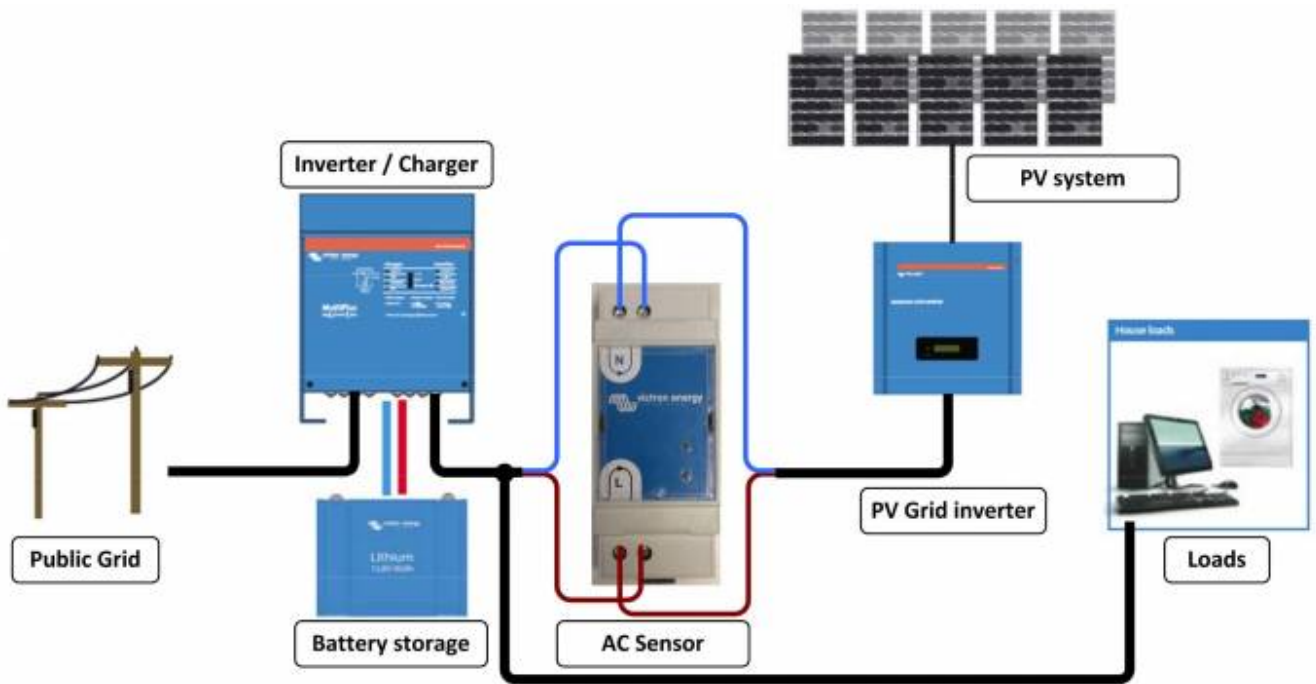
## Installation

### Installing the gateway

1. Disconnect the AC power
2. Connect the gateway to the network using the supplied RJ45 cable.
3. Connect the AC power adapter or the USB cable from the ColorControl GX to the gateway

### Installing the sensor(s)

For each phase, connect the AC sensor according to the schematic below. Neutral on top side. Line on bottom side. Make sure the direction of the current is correct.



## Gateway and sensor pairing

After powering the sensor for the first time, it needs to be paired with the gateway. The led on the sensor will be blinking red, to indicate that it is not yet paired to a gateway.

If it is not blinking red, but both the green and the red LED are on, it needs to be unpaired first: press and hold the little reset button in the sensor. As soon as you press the button the LED will turn green. Hold the button until the LED starts blinking red.

To let the gateway search for and pair with free sensors, press the button on the gateway for 5 seconds. The led on the gateway will start blinking red. First slow then both leds (gateway and sensor) will start blinking red fast. If sensor is found the led will shortly blink orange.

The discovery will take anywhere between 30 seconds and 12 minutes. The 12 minutes can be because of a software update.

When the update process is completed then the sensor LED will be off, and the gateway LED will be green with short intermittent blips of red.

### Gateway LED

LED	Meaning
Blinking red	Searching for sensors
Green with short blips of red	Working OK

### Sensor LED

LED	Meaning
Blinking red	Not yet paired to a gateway
Both green and red on (no blinking)	Cannot find the gateway. Only shows for a few seconds, after that the led will turn off

LED	Meaning
Alternating red/green	Selected in the Color Control menu, useful for identification
Green on (no blinking)	Gateway found, connecting. This will show only for a few seconds
Off	Working OK, connected to the gateway, cannot find gateway or not powered

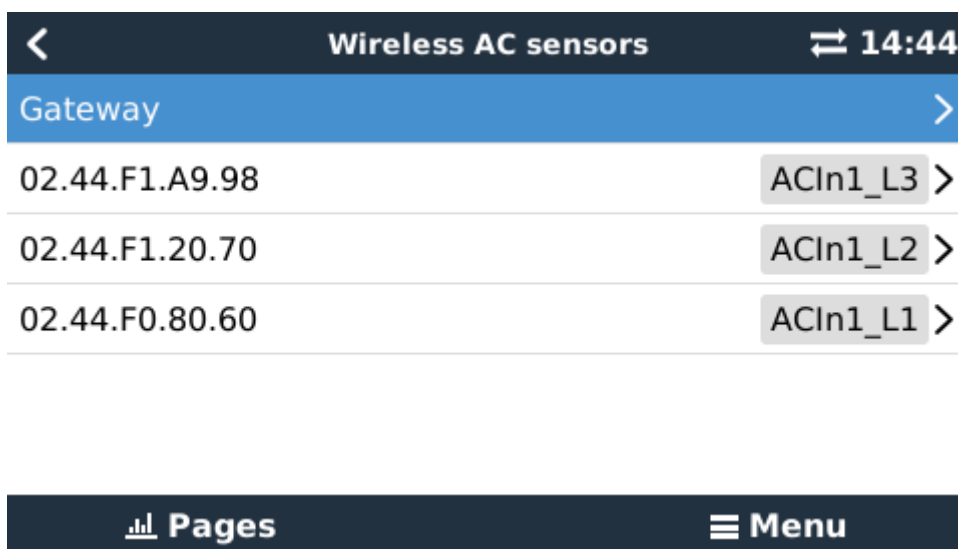
## Configuration on the Color Control

### Wireless AC sensor menu

To configure the gateway and sensor go to the Wireless AC sensor menu

Settings → Wireless AC Sensors

If the gateway is connect to the network it will be shown in the list. If one or more AC sensors are connected these will also show in the list. When connected for the first time only the ID number will be shown and no location. This needs to be selected for the sensor to work properly.



Select a sensor to assign a location to it. For example AC-In1\_L3.

### Sensor readout

When all the sensor are configured the measured values can be seen. Go to the Device List and select PV Inverter on AC In1 for example.

AC Phase	Voltage	Current	Power
AC Phase L1	226V	1.4A	260W
AC Phase L2	217V	1.2A	232W
AC Phase L3	224V	1.2A	211W
AC Totals		3.8A	703W
			4073.33kWh
Energy L1			76.81kWh

### Specifications

Rated voltage	230	V AC
Operating Voltage	220-240	V AC
Frequency	50	HZ
Maximum Current	25	A
Measurement precision	+/- 2%	
Ambient temperature	-25 ~ +35	oC
Storage temperature	-25 ~ +70	oC
Relative humidity	0 - 95	%

~~DISQUS~~

From:

<https://www.victronenergy.com/live/> - **Victron Energy**

Permanent link:

[https://www.victronenergy.com/live/ccgx:ccgx\\_wireless\\_ac\\_sensor?rev=1420454431](https://www.victronenergy.com/live/ccgx:ccgx_wireless_ac_sensor?rev=1420454431)

Last update: **2015-01-05 11:40**

