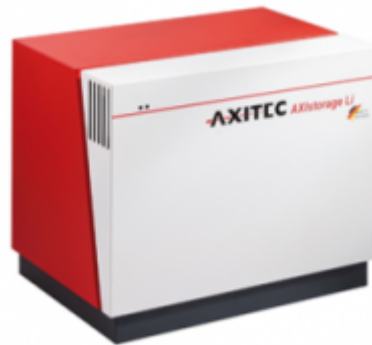


# Victron & AXIstorage Li 7S / 9S

The combination of Victron products with the BMZ ESS 7.0 battery has been tested and certified by the R&D departments. The combination is actively supported by both companies. The AXIstorage 7S/9S is identical with the BMZ ESS hardware and software and therefore also compatible.



## 1. Introduction

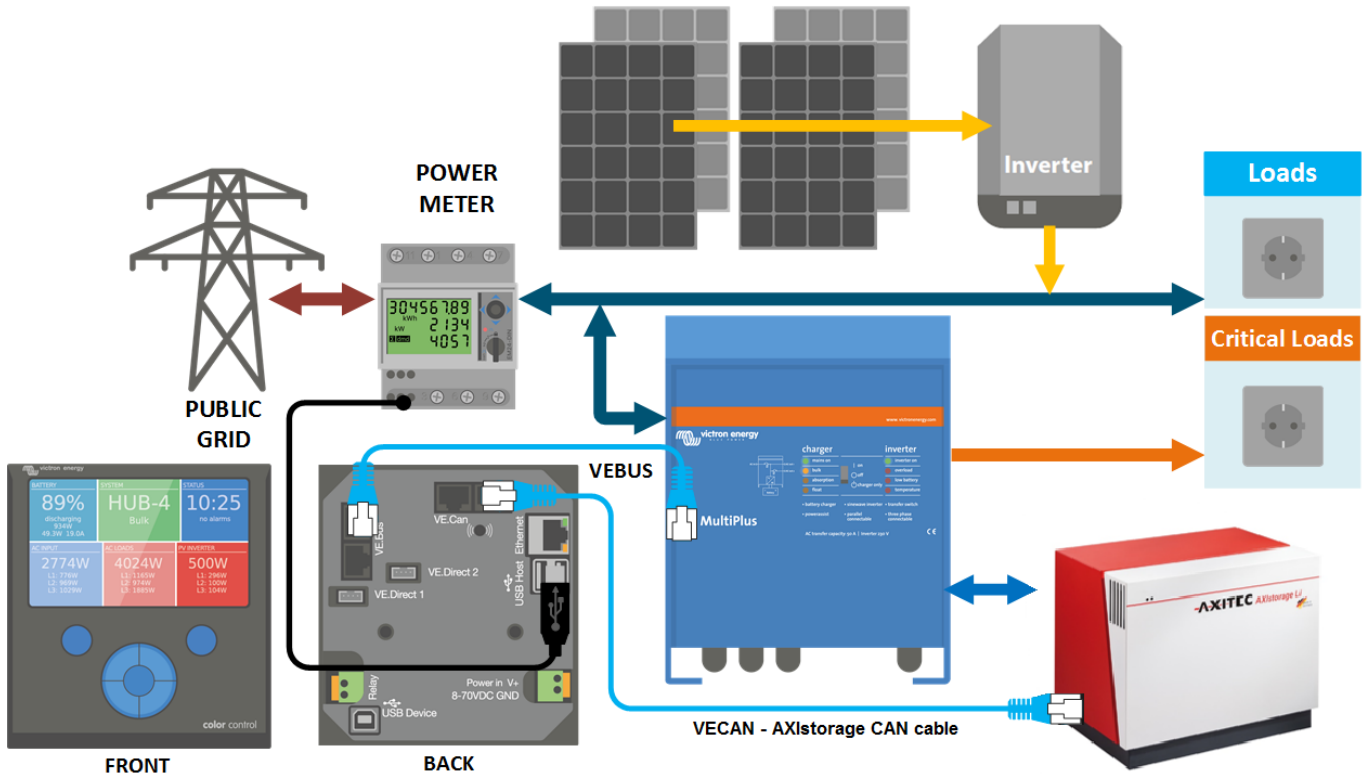
### 1.1 Compatible Victron products

All 48V Multis and Quattros. And always a Color Control GX is necessary in the system, since that has the canbus port which is used for the (required!) communication between the ESS battery and the Victron system.

### 1.2 Notes

- AXIstorage batteries can only be used in a [Victron ESS installation](#) installation that uses the ESS Assistant.
- Paralleling multiple AXIstorage ESS batteries to expand capacity is possible. Contact AXIstorage for more information.
- Derating, based on the dynamic AXIstorage ESS charge- and discharge limits:
  - Minimum CCGX version is v1.72
  - The derating mechanism is not very precise yet. In other words, do not expect a discharge limit of 30A to result in a precise discharge of 30A.
  - Actual charge- and discharge limits are visible in the Parameters page. See screenshot below in Chapter 4.

### 1.3 System diagram



## 2. Wiring of communication cables

To use the AXIstorage ESS in Victron system, it is necessary to use a Color Control GX. The Color Control GX takes care of sending the necessary canbus keep-a-live message to the ESS battery. Without it, the battery will open its internal emergency relay after 10 minutes.

A special RJ-45 cable is necessary to connect the battery to the Color Control GX. Pinout:

| Function | VE.Can RJ-45 | AXIstorage RJ-45 |
|----------|--------------|------------------|
| GND      | Pin 3        | Pin 2            |
| CAN-L    | Pin 8        | Pin 5            |
| CAN-H    | Pin 7        | Pin 4            |

Place a VE.Can terminator in the empty socket on the CCGX

## 3. VEConfigure settings

### 3.1 Charge tab

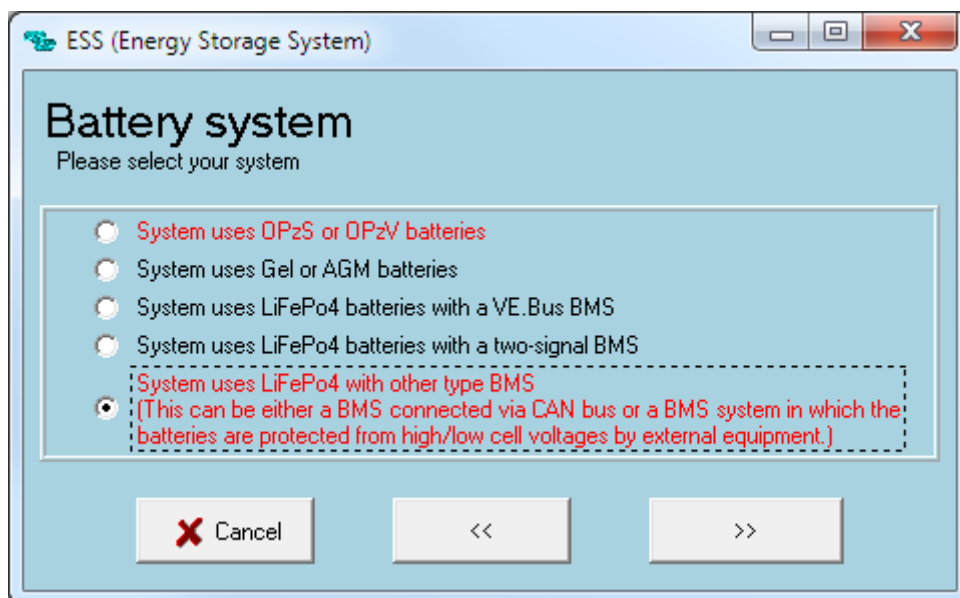
| Parameter          | Setting |
|--------------------|---------|
| Battery type       | Lithium |
| Charge curve       | Fixed   |
| Absorption voltage | 60.75 V |
| Float voltage      | 60.00 V |
| Absorption time    | 1 Hr    |

Note: make sure to double check the float voltage after completing Assistants, and if necessary set it

back to 60.00 V.

### 3.2 ESS Assistant

Select the fourth battery type:



Then:

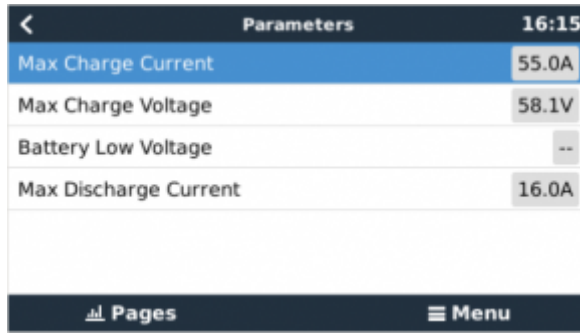
1. Enter the battery capacity:
  1. AXIstorage 75 - 121.5 Ah
2. Do not change the dynamic cut-off values, they have already been set correctly after selecting the lithium battery type.
3. Same for the restart offset: do not change that.

### 4. Color Control GX Configuration

- Enable the CAN-bus BMS Service in the CCGX. Menu path: *Settings* → *Services* → *CAN-bus BMS*. Note that this changes the function of a VE.Can port: it is not possible to connect both VE.Can products and a AXIstorage battery together.
- After properly wiring and setting up, the AXIstorage will be visible as a battery in the device list:



- The parameters option within the battery page shows the actual battery charge and discharge limits:



The screenshot shows a mobile application interface with a dark blue header. The header contains a back arrow on the left, the word "Parameters" in the center, and the time "16:15" on the right. Below the header is a list of parameters:

| Parameter             | Value |
|-----------------------|-------|
| Max Charge Current    | 55.0A |
| Max Charge Voltage    | 58.1V |
| Battery Low Voltage   | --    |
| Max Discharge Current | 16.0A |

At the bottom of the screen, there is a dark blue bar with a "Pages" icon and label on the left, and a "Menu" icon and label on the right.

- Make sure to enable the *Synchronize VE.Bus SOC with battery* setting in the System Setup page in the CCGX: it will copy the State of Charge as reported by the AXIstorage to the Multi or Quattro, making ESS work with that SOC.

## DISQUS

~~DISQUS~~

From:  
<https://www.victronenergy.com/live/> - **Victron Energy**

Permanent link:  
[https://www.victronenergy.com/live/battery\\_compatibility:axistorage?rev=1492071413](https://www.victronenergy.com/live/battery_compatibility:axistorage?rev=1492071413)

Last update: **2017-04-13 10:16**

