



victron energy

USER MANUAL

Phoenix 12/750

Phoenix 24/750

Phoenix 48/750



**Copyrights © 2006 Victron Energy B.V.
All Rights Reserved**

This publication or part thereof, may not reproduced in any form by any method, for any purpose.

VICTRON ENERGY B.V. MAKES NO WARRANTY, EITHER EXPRESSED OR IMPLIED, INCLUDING BUT NOT LIMITED TO ANY IMPLIED WARRANTIES OF MERCHANTABILITY OR FITNESS FOR A PARTICULAR PURPOSE, REGARDING THESE VICTRON ENERGY PRODUCTS AND MAKES SUCH VICTRON ENERGY PRODUCTS AVAILABLE SOLELY ON AN “AS-IS” BASIS.

IN NO EVENT SHALL VICTRON ENERGY B.V. BE LIABLE TO ANYONE FOR SPECIAL, COLLATERAL, INCIDENTAL, OR CONSEQUENTIAL DAMAGES IN CONNECTION WITH OR ARISING OUT OF PURCHASE OR USE OF THESE VICTRON ENERGY PRODUCTS. THE SOLE AND EXCLUSIVE LIABILITY TO VICTRON ENERGY B.V., REGARDLESS OF THE FORM OF ACTION, SHALL NOT EXCEED THE PURCHASE PRICE OF THE VICTRON ENERGY PRODUCTS DESCRIBED HERE IN.

For conditions of use and permission to use this manual for publication in other than the English, Dutch, French or German language, contact Victron Energy B.V.

Victron Energy B.V. reserves the right to revise and improve its products as it sees fit. This publication describes the state of this product at the time of its publication and may not reflect the product at all times in the future.

Table of contents

1. Important Safety Information.....	1
1-1 General Safety Precautions.....	1
1-2 Batteries Precautions.....	1
2. Features.....	2
2-1 Applications.....	2
2-2 Electrical Performance.....	3
2-3 Mechanical Drawings.....	4
3. Instructions.....	5
3-1 Front Panel Operation.....	5~6
3-2 Rear Panel Operation.....	7~8
3-3 Installation.....	9
3-4 Quick hook – up and Testing.....	10~11
3-5 AC Safety Grounding.....	12~13
3-6 DC Wiring Connections.....	13~14
3-7 Inverter Operation.....	15
4. Troubleshooting.....	16
5. Maintenance.....	17

1. Important Safety Information



WARNING!

Before installing and using the Inverter, you need to read Following safety information carefully.

1-1. General Safety Precautions

- 1-1-1. Do not expose the Inverter to water, mist, snow, or dust. To reduce the risk of hazard, do not cover or obstruct the ventilation shaft. Do not install the Inverter in a zero-clearance compartment. Overheating may occur.
- 1-1-2. To avoid the risk of fire and electronic shock, make sure that existing wiring is in good electrical condition and not undersize. Do not operate the Inverter with damaged or substandard Wiring.
- 1-1-3. There are some components in the inverter can cause arcs and sparks. To prevent from fire or explosion, do not put batteries, flammable materials, or anything should be ignition-protected around the inverter.

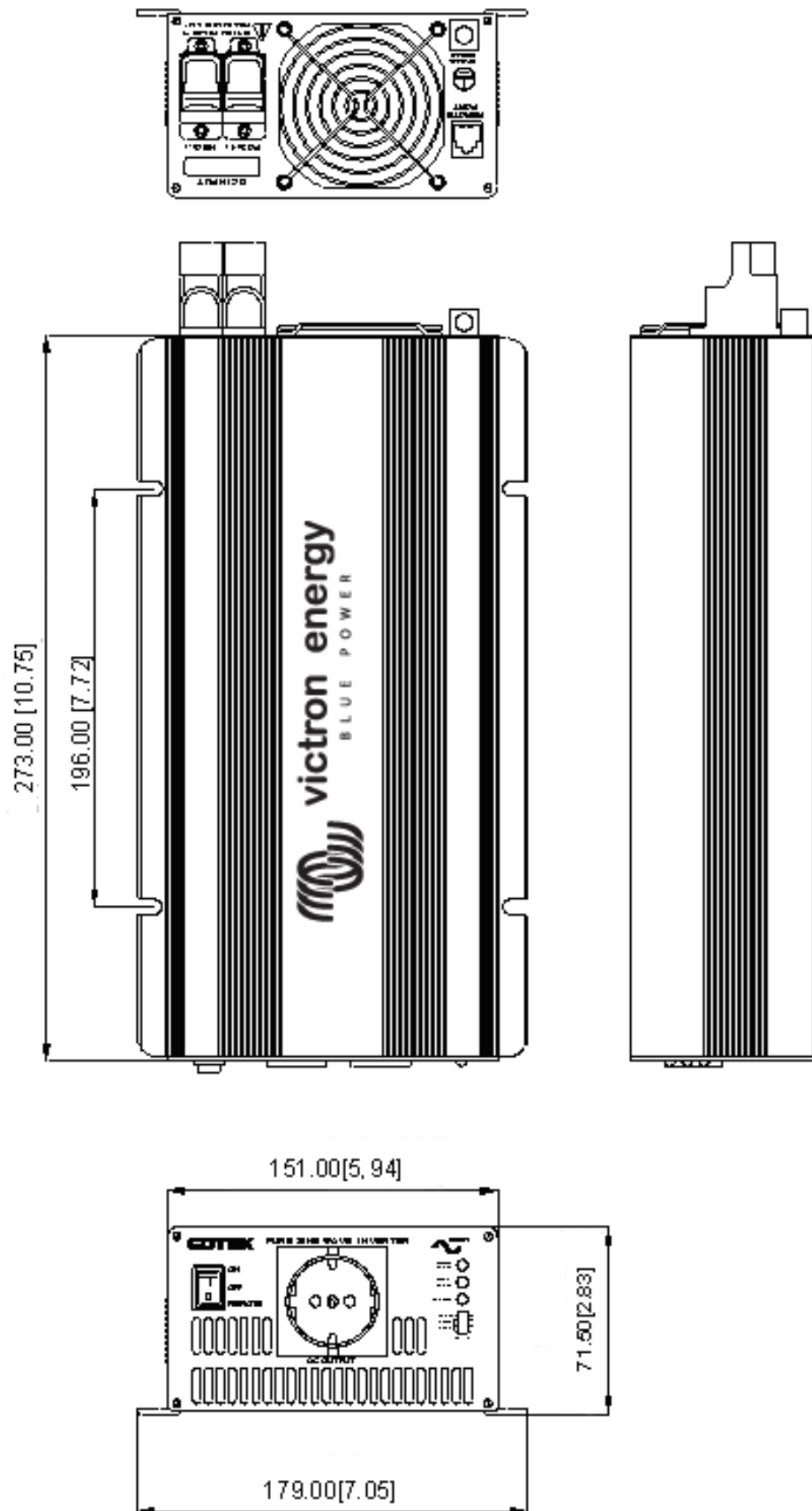
1-2. Precautions When Working with Batteries

- 1-2-1. If battery acid contacts your skin or clothing, you need to wash it out immediately with soap and water. If acid enters into your eyes, immediately flush your eyes with running cold water for at least 20 minutes and get medical attention immediately.
- 1-2-2. Never smoke or make a spark or flame in the vicinity of batteries or Engines.
- 1-2-3. Do not drop a metal tools on the battery. The resulting spark or short-circuit on the battery or other electrical parts may cause an explosion.
- 1-2-4. Remove personal metal items such as rings, bracelets, necklaces, and watches when working with a lead-acid battery, A lead-acid battery may produce a short-circuit current who's temperature is high enough to weld these metal items and cause a severe burn.

2-2. Electrical Performance

Specification	Model No.					
	12/750	24/750	48/750	12/750	24/750	48/750
Continuous Output Power	750W					
Maximum Output Power (3Min.)	800W					
Surge Rating	1400W					
Input voltage	12V	24V	48V	12V	24V	48
Output Voltage	120V +/- 3%			220 / 230 / 240V +/- 3%		
Frequency (Switch Selections)	50 / 60Hz +/- 0.05%					
Efficiency (full load)	89.0%	91.0%	92.0%	91.0%	93.0%	94.0%
No Load Current Draw	1.25A	0.64A	0.31A	1.20A	0.60A	0.28A
Output Waveform	Pure Sine Wave (THD < 3%)					
Output voltage Regulation	100 / 110 / 120V RMS -10%/+4%			220 / 230 / 240V RMS -10%/+4%		
Input Voltage Regulation	10.5-15 VDC	21.0-30 VDC	42-60 VDC	10.5-15 VDC	21.0-30 VDC	42-60 VDC
Input Level Indicator	Red / Orange / Green LED					
Load Level Indicator						
Failure Indicator	Red LED					
Protection	Overload, Short Circuit, Reverse Polarity (Fuse), Over / Under Input Voltage, Over Temperature.					
Safety Certification	UL458			EN60950-1		
EMC	FCC Class A		EN55022 : 1997 EN55024 : 1997 EN61000-3-2 : 1998 EN61000-3-3 : 1995		e-Mark	
Operating Temperature Range	0 - 40 °C					
Storage Temperature Range	-30°C to 70°C					
Cooling	Loading controlled cooling fan					
Dimensions	295(L) x 180(w) x 72(H) mm / 11.61(L) x 7.09(W) x 2.83(H) Inch					
Weight	2.7kg / 5.4 Lbs.					

2-3. Mechanical Drawing

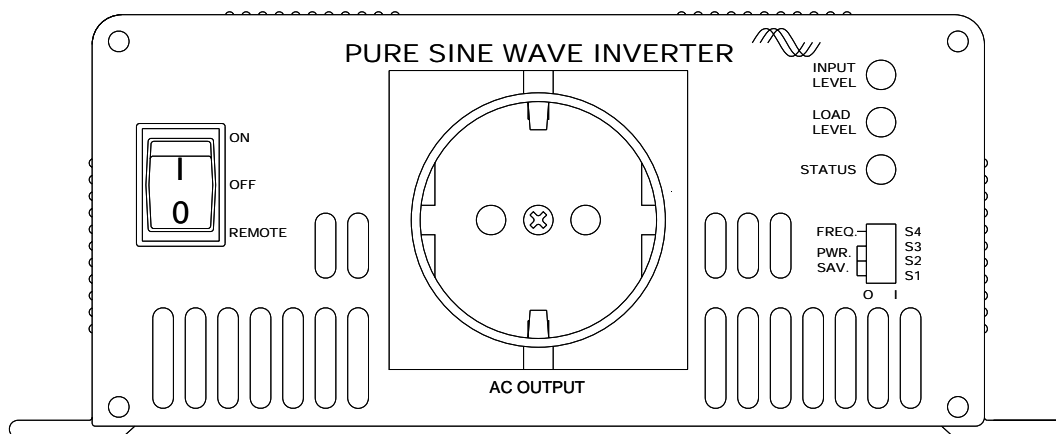


3. Instructions

This power inverter series is one of the most advanced line of mobile AC power systems. To get the most effective power inverter, it must be installed and used properly. Please read the instructions of this manual before you install and operate this model.

3-1. Front Panel Operation :

3-1-1. Front view :



3-1-2. ON / OFF switch :

Leave the switch in the middle position (OFF) during installation.

3-1-3. Input Level : Display Input Voltage

LED Status	DC 12V	DC 24V	DC 48V
Slow Red Blink	10.5~10.9	21.0~21.8	42.0~43.6
Red	10.9~11.3	21.8~22.6	43.6~45.2
Orange	11.3~12.0	22.6~24.0	45.2~48.0
Green	12.0~14.0	24.0~28.0	48.0~56.0
Orange Blink	14.0~14.7	28.0~29.4	56.0~58.8
Over Red Blink	14.7↑	29.4↑	58.8↑

3-1-4. Load Level : Display AC Load Watts

LED Status	Load Condition
Dark	0 ~ 35W
Green	35W ~ 230W
Orange	230W ~ 525W
Red	525W ~ 672W
Red Blink	Over 672W

3-1-5. Failure : Display failure status

OVP : over voltage protection

UVP : under voltage protection

OTP : over temperature protection

OLP : over load protection

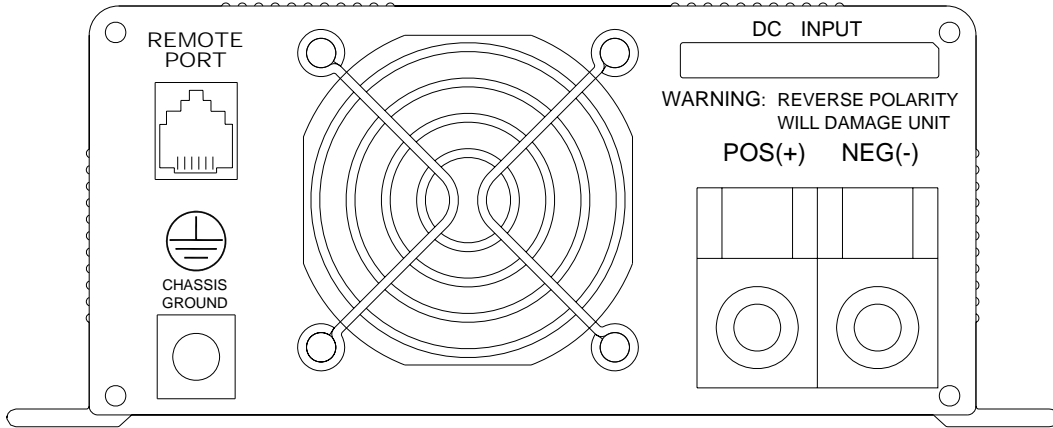
3-1-6. AC outlet (Outlet Sockets available) :

Europe (IEC)

Continental Europe (SCHUKO)

North America (NEMA 5-15R)

3-2. Rear Panel Operation :



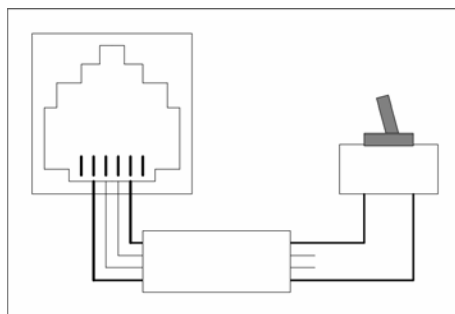
3-2-1. Remote ON / OFF switch for Phoenix Inverter 750VA model only.

3-2-1-1. To operate the inverter with a remote ON/OFF switch, the ON/OFF/REMOTE switch on the Front Panel should be in the REMOTE position.

3-2-1-3. Use a standard RJ11 plug with a 4 wire telephone flatcable. The switch should be connected to the 2 wires on the outside (pin 1 and 4) of the plug (see picture).

Plug the cable into the connector marked 'REMOTE PORT'

If the remote control contact is in a state of low impedance (short), the inverter will be turned ON. If the remote control contact is in a state of high impedance (open), the inverter will be turned OFF.



3-2-2. Fan Ventilation :

Be sure to keep it a distance (at least 1 inch) form surrounding things.

3-2-3. Input terminals :

Connect the input terminal to 12V / 24V / 48 battery or other 12V / 24V / 48 power sources.

【 + 】 represents positive, and **【 - 】** represents negative. Reverse polarity connection will blow the internal fuse and may damage the inverter permanently.

3-2-4. Use wire #8 AWG to connects Chassis ground with Vehicle Chassis.



WARNING!

Operating the inverter without a proper ground connection may cause an electrical safety hazard.

3-3. Installation :

The power inverter should be installed in an environment that meets the following requirements :

- 3-3-1. Dry – Do not allow water to drip on or enter into the inverter.
- 3-3-2. Cool – Ambient air temperature should be between 0°C and 33°C, the cooler the better.
- 3-3-3. Safe – Do not install the inverter in a battery compartment or other areas where flammable fumes may exist, such as fuel storage areas or engine compartments.
- 3-3-4. Ventilated – Keep the inverter a distance (at least one inch) away from surrounding things. Ensure the ventilation shafts on the rear and the bottom of the unit are not obstructed.
- 3-3-5. Dust free – Do not install the Inverter in dusty environment. The dust can be inhaled into the unit when the cooling fan is working.
- 3-3-6. Close to batteries – Avoid excessive cable lengths. Do not install the Inverter in the same compartment as batteries. Use the recommended wire lengths and sizes (see section 3-6). Do not mount the inverter where it will be exposed to the gases produced by the battery. These gases are very corrosive, and prolonged exposure will damage the Inverter.



WARNING!

Shock Hazard. Before proceeding further, carefully check that the Inverter is NOT connected to any batteries, and that all wiring is disconnected from any electrical sources. Do not connect the output terminals of the Inverter to an incoming AC source.

3-4. Quick hook – up and testing :

For a quick hook – up of the power inverter to check its performance before going ahead with installation, please follow these guidelines :

- 3-4-1. To check its performance, unpack and inspect the power inverter the switch is OFF.
- 3-4-2. Connect the cables to the power input terminals on the rear panel of power inverter. The red terminal represents positive (+) and black terminal represents negative (-). Insert the cables into the terminals and clamp the nuts and the wires securely.



WARNING!

You may observe a spark when you make this connection since current may flow into charge capacitors in the power inverter. Do not make this connection with the flammable fumes close by. Explosion or fire may occur.



WARNING!

Ensure all the DC connections are tight (torque to 9 - 10) ft-lbs, 11.7 – 13 Nm. Loose connections and overheat may result in a potential hazard.

3-4-3. Before proceeding further, carefully check that cable you have connected does tie negative terminal of inverter to the negative output power source.



CAUTION !

Reverse polarity connection will blow the fuse in inverter and may permanently damage the inverter. Damage caused by reverse polarity connection is not covered by warranty.

- 3-4-4. Connect the cable from the negative terminal of the inverter to the negative terminal of the power source. Make a secure connection.
- 3-4-5. Set the power switch to the “ON” position and the buzzer will send out beep sound at the moment the inverter will make self-diagnosis and the LED’s indicators will also appear various colors. Finally the buzzer will send out another beep sound and the input Level LED indicators will turn to “Green” color and the inverter starts working successfully.
- 3-4-6. Set the power switch to OFF position, the inverter stops and all the lights go Off.
- 3-4-7. Set power inverter switch to the ON position and turn the test load on. The inverter should supply power to the load. If you plan to accurately measure the true output r.m.s. voltage of inverter, a meter such as FLUKE 45 BECKMAN 4410 or TRIPLETT 4200 must be used.

3-5. AC Safety Grounding :

During the AC wiring installation, AC input and output ground wires are connected to the inverter. The AC input ground wire must be connected to the incoming ground from AC utility source.

The AC output ground wire should go to the grounding point for your loads (for example, a distribution panel ground bus).

3-5-1. Neutral Grounding (GFCI'S) :

3-5-1-1. **120V models:** The neutral conductor of the AC output circuit of the Inverter is automatically connected to the safety ground during inverter operation. This conforms to National Electrical Code requirements that separately derived from AC sources (such as inverters and generators) which have their neutral conductors tied to ground in the same way as the neutral conductors from the utility tied to ground at the AC breaker panel. For models configured with a transfer relay, while AC utility power is present and the Inverter is in bypass mode, this connection (the neutral of the Inverter's AC output to input safety ground) is not present so that the utility neutral is only connected to ground at your breaker panel, as required.



WARNING!

The risk of electronic shock. Use only pass and Seymour type 2091-W, ground fault circuit-interrupter receptacles. Other types may fail to operate properly when connected to this inverter equipment.

3-5-1-2. **230V models** : There is no connection made inside the Inverter from either the line or neutral conductor to safety ground.

Ground Fault Circuit Interrupters (GFCI) :

Installations in Recreational Vehicles (for North American approvals) will require GFCI protection of all branch circuit connected to the AC output of the hardwire terminal equipped with Inverter. In addition, electrical codes require GFCI protection of certain receptacles in residential installations. While the pure sine wave output of the Inverter is equivalent to the waveform provided by utilities, compliance with UL standards requires us to test and recommend specific GFCI.

Victron has tested the following GFCI – protected 20A receptacles and found that they functioned properly when connected to the output of the Inverter.



WARNING!

Do not operate the power inverter without connecting it to ground. Electrical shock hazard may occur.

3-6. DC Wiring Connections :

Follow this procedure to connect the battery cables to the DC input terminals on the Inverter. The cables should be as short as possible (less than 10 feet / 3 meters ideally) and large enough to handle the required current in accordance with the electrical codes or regulations applicable to the installation.

Cables that are not an adequate gauge (too narrow) or too long will deteriorate inverter performance such as poor surge capability and frequent low-input voltage warnings and shutdowns.

These low input voltage warnings are due to DC voltage drop across the cables from the inverter to the batteries.

The longer and narrower the cables, the greater the voltage drops.



WARNING!

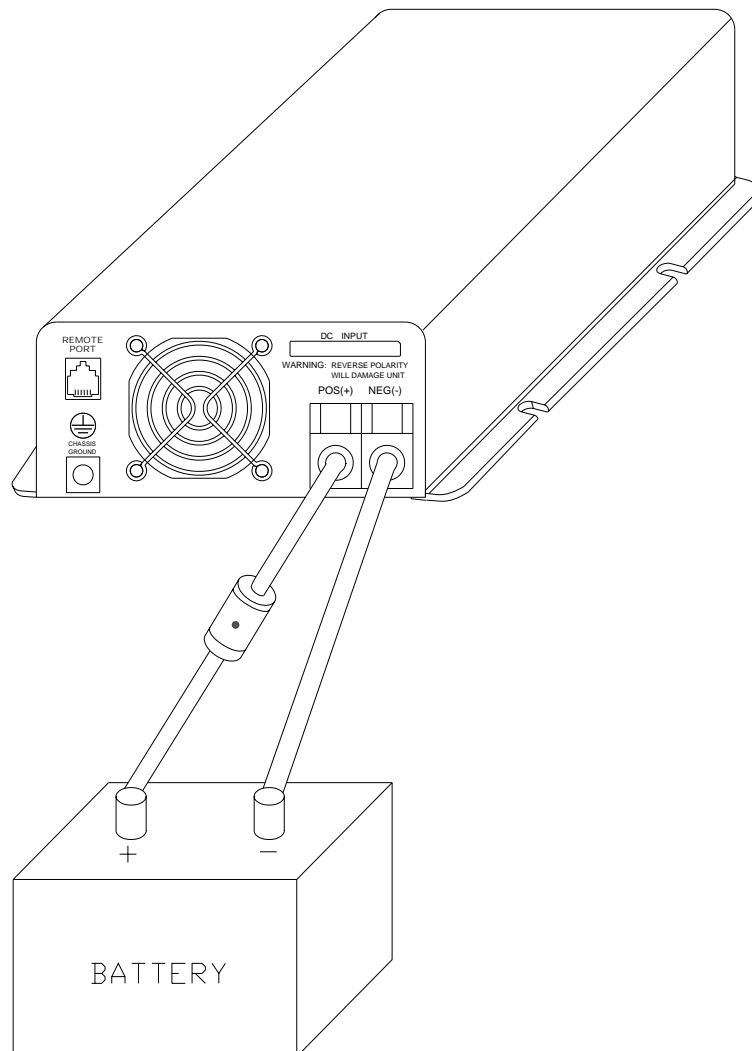
The fuse must be installed on positive cable. Failure to place a fuse on “+” cables running between the inverter and battery may cause damage to the inverter and will void warranty.

Increasing DC cable size helps improve the situation.

Victron recommends the following cables for optimum inverter performance.
(apply both 120V and 230V versions)

Model No	Wire AWG	Inline Fuse
12/750	# 4	100A
24/750	# 6	50A
48/750	# 8	30A

Also, use only high quality copper wiring and keep cable length short, (a maximum of 3-6 feet).



3-7. Inverter Operation :

To operate the power inverter, use the ON / OFF switch on the Front panel to turn the power on. Then the power inverter is ready to deliver AC power to the loads.

If you are operating several loads from the power inverter, turn them on separately after the inverter is on.

This will ensure that the power inverter does not have to deliver the starting currents for all the loads at one time.

3-7-1. Controls and indicators :

The ON / OFF switch turns the control circuit in the power inverter on and off. It does not disconnect power from the power inverter.

The Inverter operates from an input voltage ranging of :

10.5 to 15.0 VDC for 12V models

21.0 to 30.0 VDC for 24V models

42.0 to 61.0 VDC for 48V models

The Inverter will indicate high and low DC voltage conditions as follows :

Model	Dc Input over Voltage shut-down	Dc Input under Voltage alarm	Dc Input under Voltage shut-down
12/750	15.3	11.0	10.5
24/750	30.6	22.0	21.0
48/750	61.2	44.0	42.0

4. Troubleshooting :



WARNING!

Do not open or disassemble the inverter.
Attempting to service the unit yourself may cause an electrical shock or fire.

<u>Problems and Symptoms</u>	<u>Possible Cause</u>	<u>Solutions</u>
Low output voltage (110V : 95-105VAC, 220V : 190-210VAC)	Using average reading Voltmeter.	Use true RMS reading meter and cable. See page 11 3-4-7. of the manual
Load LED bar flash.	Overload	Reduce load.
No output voltage Voltage indicator In the lower red zone	Low input voltage.	Recharge battery, check connections and cables.
No output voltage. Over Temp indicator on Load less than 750W	Thermal shutdown	Improve ventilation, make sure ventilation shafts of the inverter are not obstructed. Lower ambient temperature.
No output voltage Overload indicator on	Short circuit or Wiring error. Very high power load	Check AC wiring for short circuit or improper polarity (hot and neutral reversed). Remove load.

5. Maintenance :

Very little maintenance is required to keep your inverter operating properly. You should clean the exterior of the unit periodically with a damp cloth to prevent accumulation of dust and dirt. At the same time, tighten the screws on the DC input terminals.

De Paal 35
1351 JG Almere Haven
The Netherlands
T +31 (0)36 5359700
F +31(0)36 5311666
sales@victronenergy.com
www.victronenergy.com